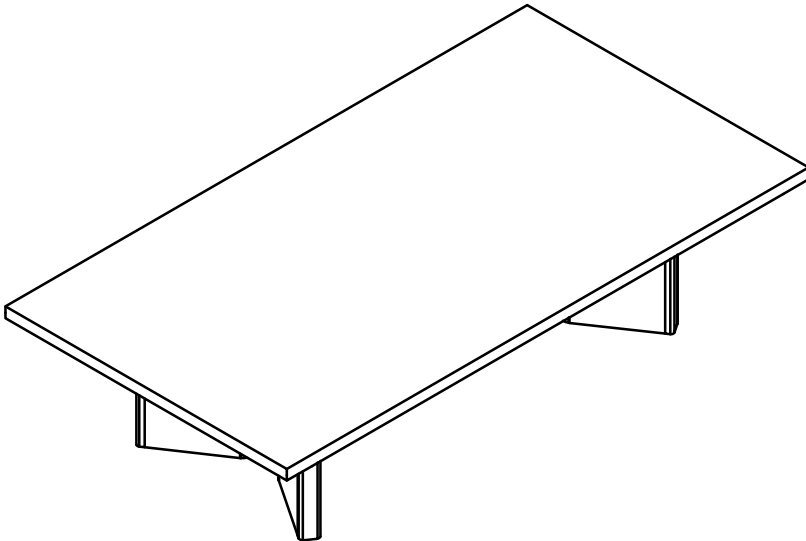







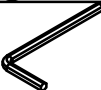


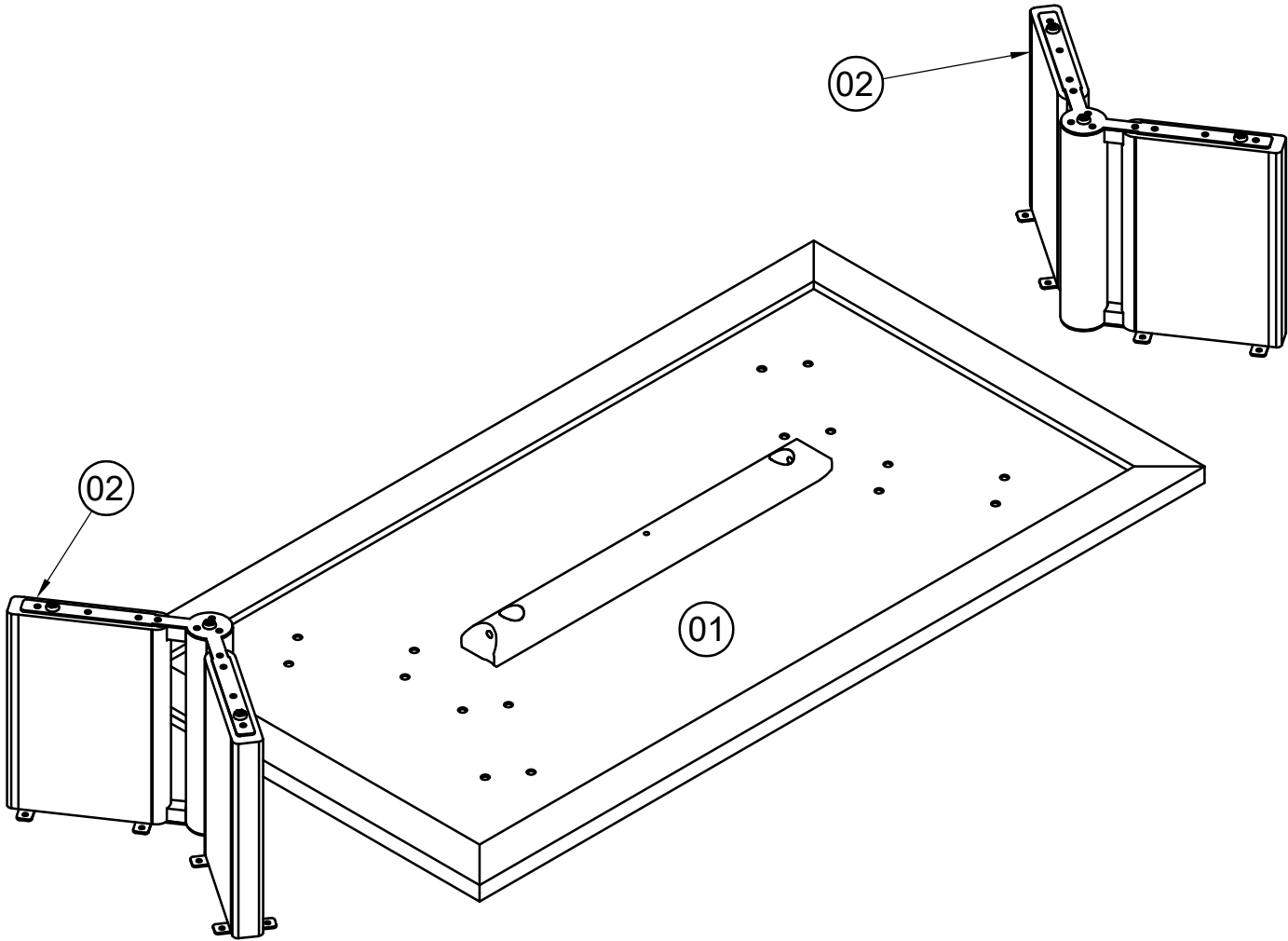
ASSEMBLY INSTRUCTION FOR

FOWLER COFFEE TABLE

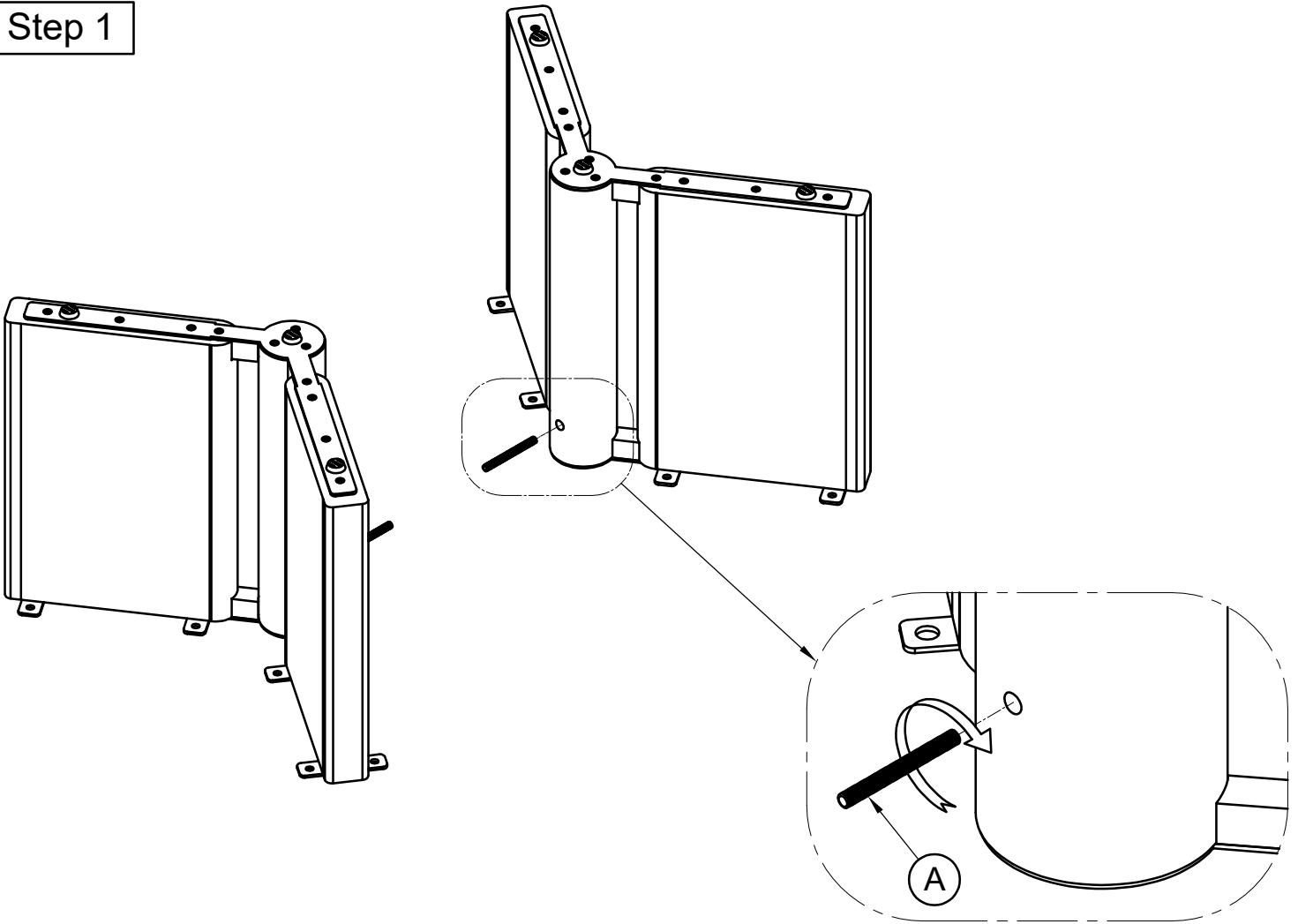


Hardware List

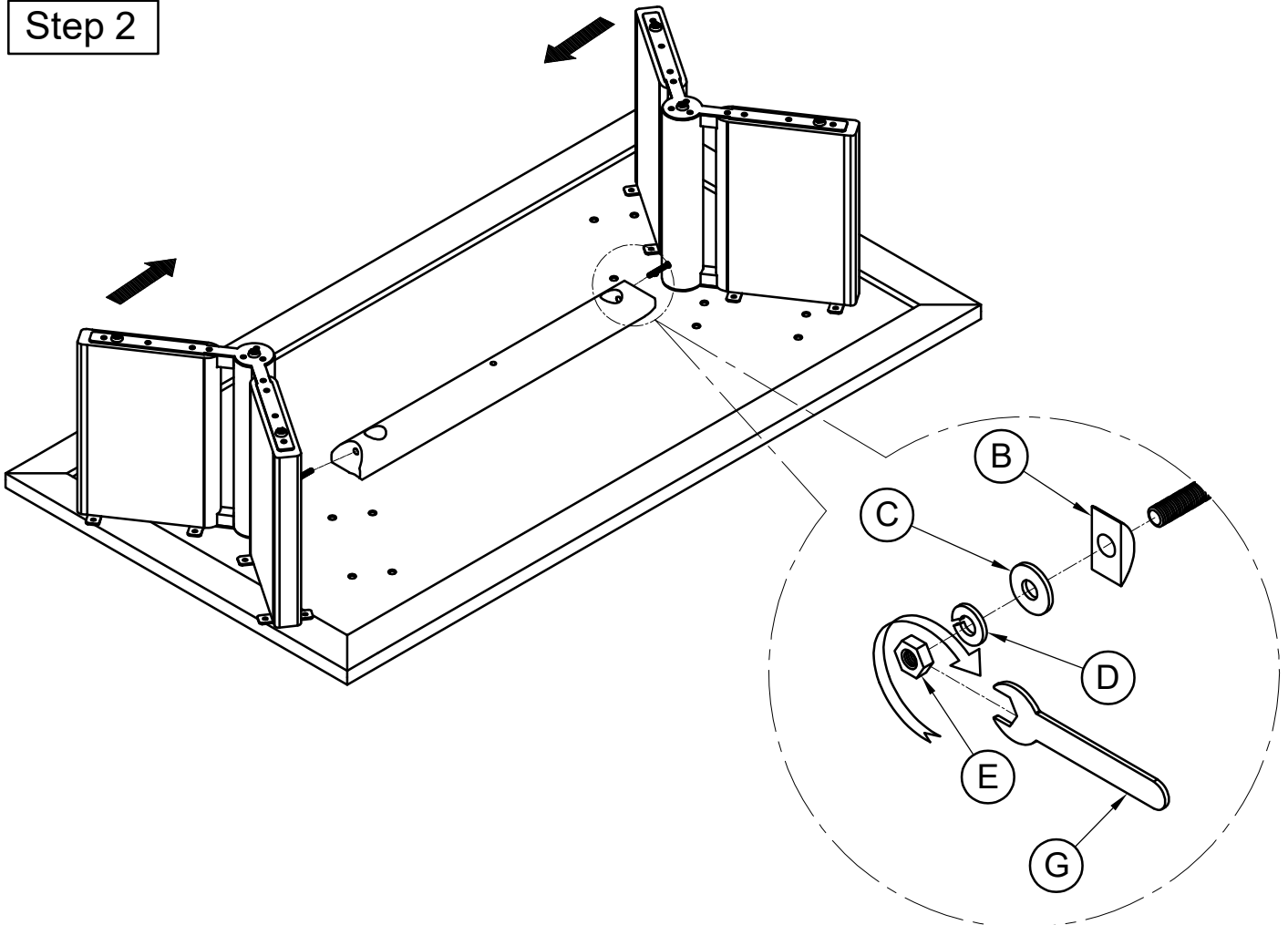
A		Headless Bolt	8x80mm	2
B		Half moon	Ø8	2
C		Flat Washer	Ø8	18
D		Spring Washer	Ø8	18
E		Hex Nut	M8	2
F		Bolt	8x20mm	16
G		Wrench	13mm	1
H		Allen Key	5mm	1



Step 1



Step 2



Step 3

