

New Features & Upgrades

Upgraded Insulation with Contoured Panels

Insulated tub provides improved performance and energy efficiency.

Super-Tough Exterior

All-Weather Super-Tough Exterior UV-Resistant design can be used outdoors or indoors.

A Larger Tub

An extra 5 cubic feet of space provides more room for bigger people.

High-Efficiency, Integrated Chiller

Chills water temperature down to 36F (2.2C). A programmable thermostat lets you set the temperature to your preference.

Customizable Body Colors & Breath Decks

Choose from 6 stylish body colors and 4 different breath deck choices.

Advanced Filtration and Ozone Purification System

Our 50-micron filtration and ozone system helps keep water crystal clean.

Extra Side Vent

Allows easy, flexible access for maintenance and more ventilation.

Retained Signature Features

Robust Commercial-Grade Construction

With superior insulation for optimal energy efficiency.

Ozone Purification System

Breaks down organic materials like bacteria and viruses without chemicals. Reduces toxic metals safely.

Versatile Breath Deck

Ideal for enhancing breathwork practices.

Discreet Mechanics Bay

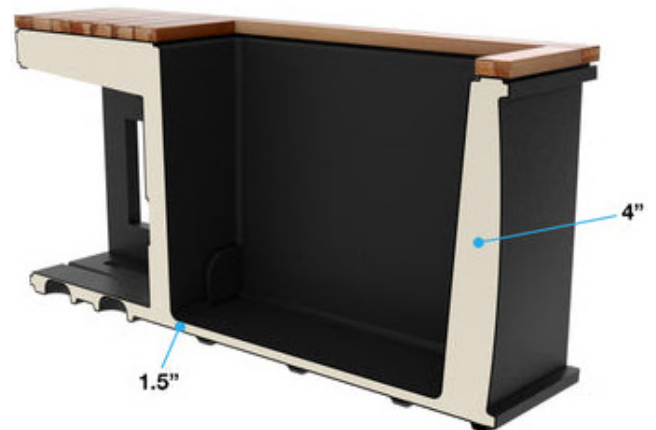
Keeps electronics neatly concealed and protected.

Industry-Leading 5-Year Limited Warranty

5-Year Body Warranty + 1-Year Chiller Warranty



The Cold Stoic® 2.0 Cold Plunge Tank is an evolution of our original design. Always cold and clean technology will encourage you to add cold water immersion to your daily routine. It features upgrades that improve performance, aesthetics, and durability.



Dimensions

Body

70" L x 33" W* x 35" H

*at base and top. Approximately 35.5" at the widest point of the contoured sides

Tank

40" L x 25" W x 31" D

Weight

Product Weight (Dry): 360 lbs

Filled Weight (with 95 US Gallons): Approximately 1,155 lbs

Noise Rating

67 Decibels at a 2-inch distance from the large grill (with ventilation grills in place while Chiller is active)

58 Decibels at approximately 3 feet from the large grill (with ventilation grills in place while Chiller is active)

Chiller Specifications

0.25 HP Chiller

Power

Uses Standard 110 Volt

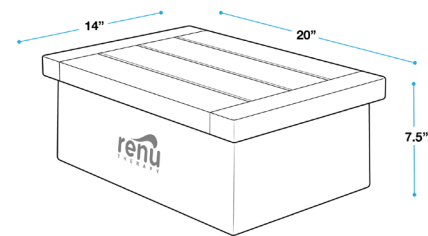
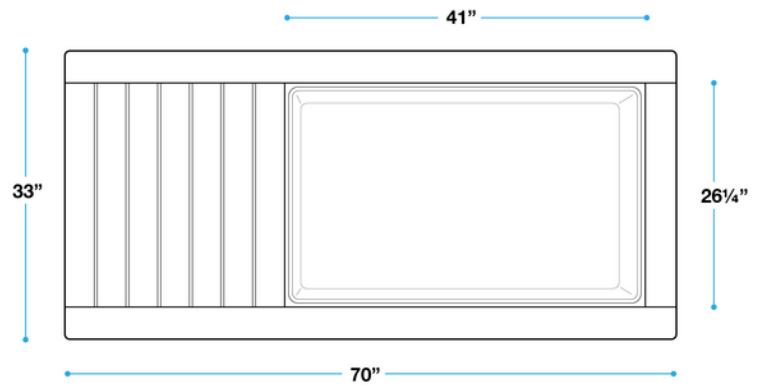
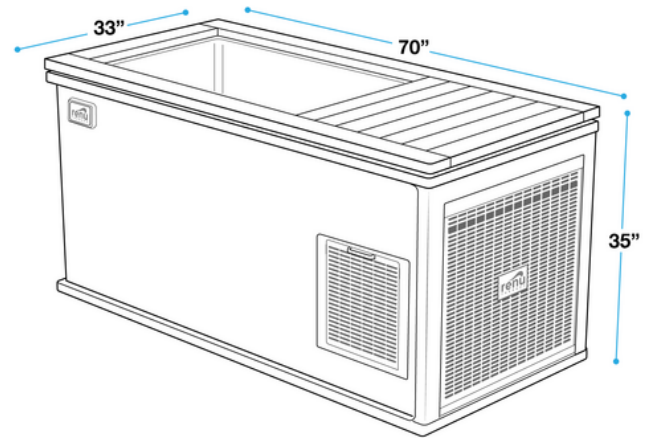
Typical Power Consumption (while Chiller is active):

350-500 Watts @ 3-5 Amps

Contact Information

Email: help@renutherapy.com

Phone: 714-617-2007



Vent Clearance Diagram

