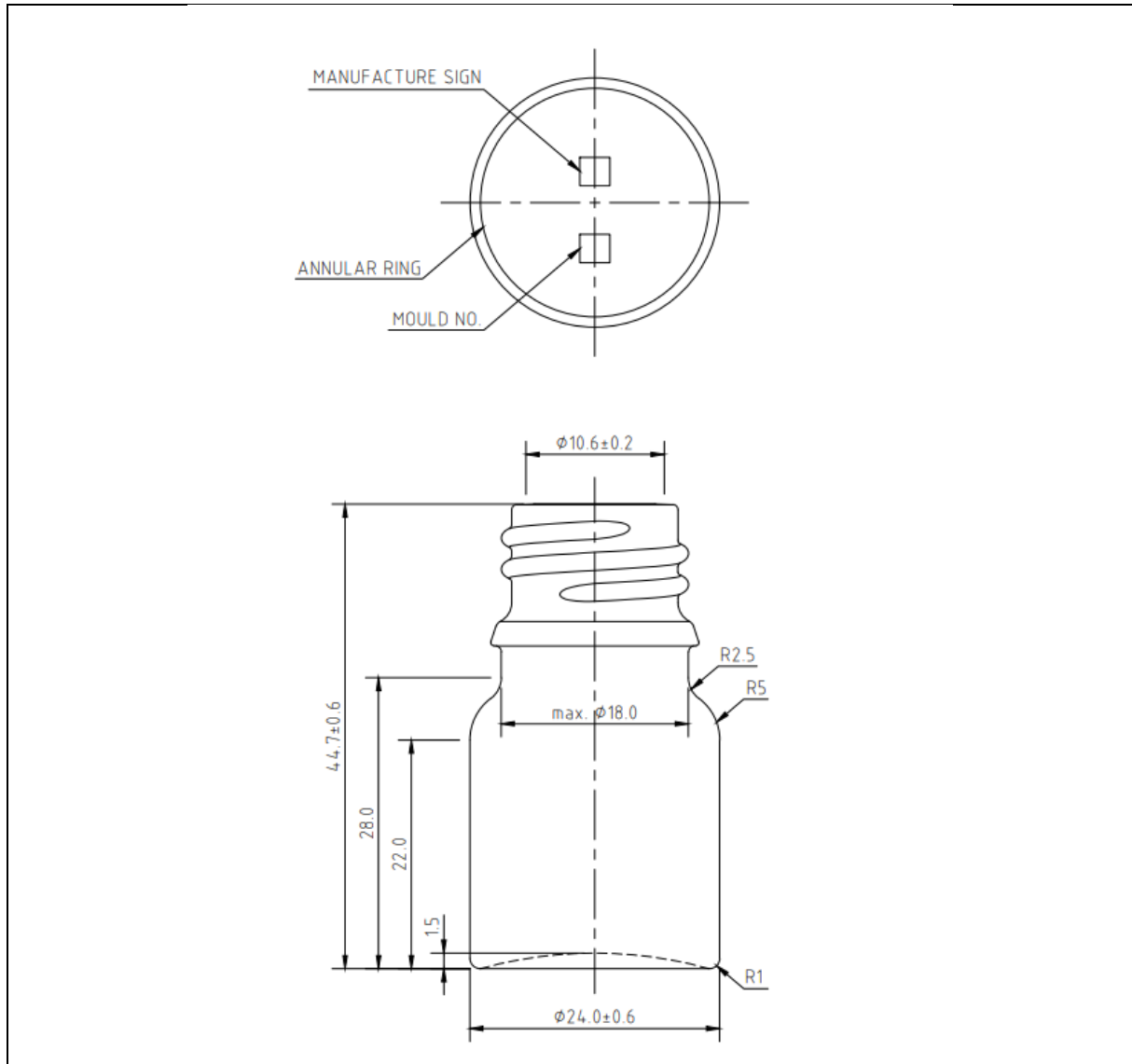


TECHNICAL DRAWING

PRODUCT	2.5ml (3ml) Amber Dropper Bottle
PRODUCT CODE	10006



PRODUCT SPECIFICATION DETAILS:

Date of Drawing	15/10/23
Scale	Not to scale
Glass weight (g) (Approx)	23g
Finish	Amber; GL18 Neck
Additional Information	Brimful capacity 6.0+/-0.7ml
Material composition	Soda Lime Glass
Material recyclable?	Yes (check with local waste collection provider)