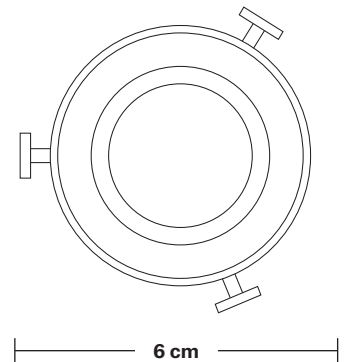
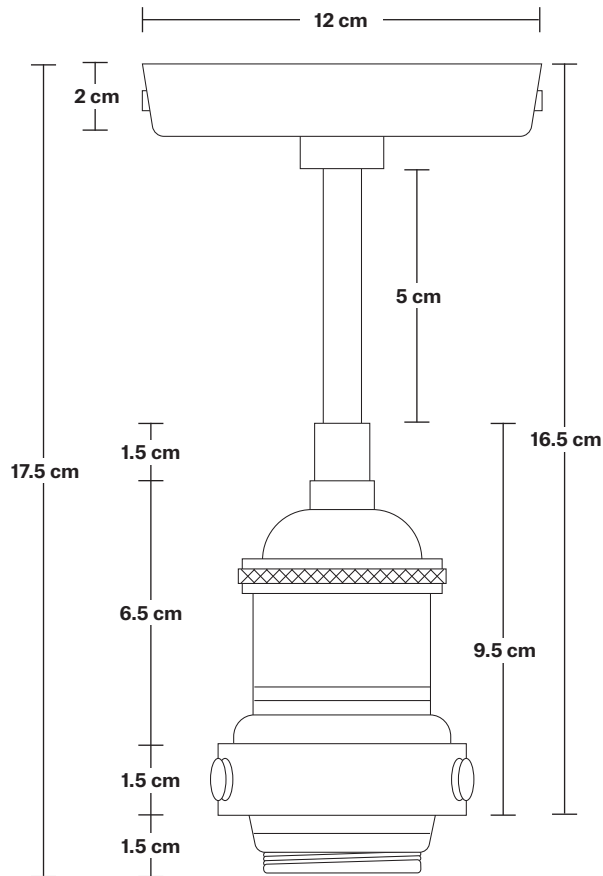


Brooklyn Flush Mount Holder

Product Code: BR-FM

H: 17.5 cm x W: 12 cm x D: 12 cm



SPECIFICATIONS

We meet all UK and EU lighting and safety regulations.

Our products are hand finished to ensure an authentic vintage look and therefore they may vary slightly from those shown in the images.

Bulb required: Standard screw (E27) fitting, max 40W.

Weight: 0.5 kg

INFORMATION

Finishes: Brass, Pewter and Copper.

Ready to be installed, installation required.

Wall mount screws not included.

Ceiling rose: Pewter.

DIMENSIONS

Holder Diameter: 12 cm / 4.7"

Holder Height: 17.5 cm / 6.9"

Ceiling Rose Diameter: 12 cm / 4.7"

Ceiling Rose Depth: 2 cm / 0.8"