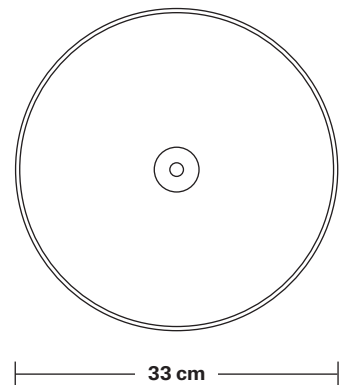
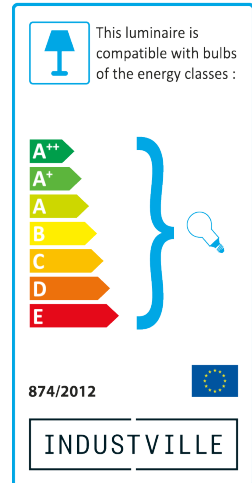
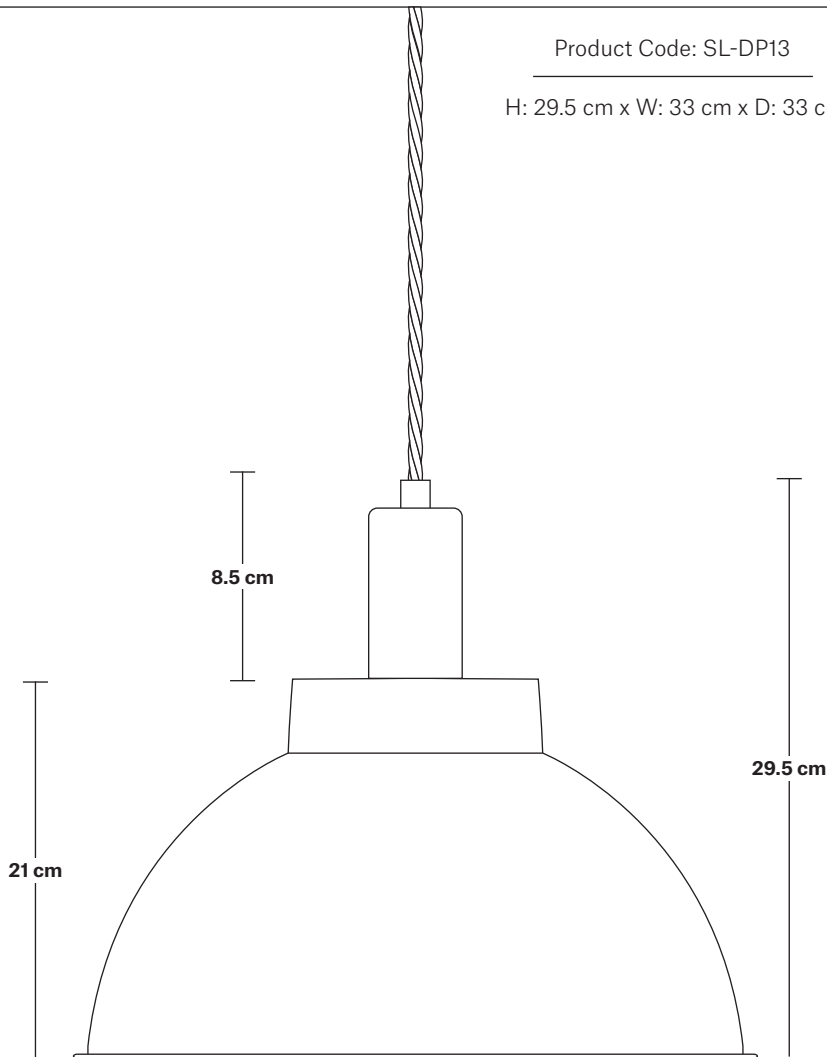


Sleek Dome Pendant - 13 Inch

Product Code: SL-DP13

H: 29.5 cm x W: 33 cm x D: 33 cm



SPECIFICATIONS

We meet all UK and EU lighting and safety regulations.

Our products are hand finished to ensure an authentic vintage look and therefore they may vary slightly from those shown in the images.

Bulb required: Standard screw (E27) fitting, max 40W.

Shade weight: 1.1 kg | **Holder weight:** 0.2 kg

Maximum weight: 1.3 kg

INFORMATION

Finishes: Brass, Pewter, Copper, Copper & Pewter, Brass & Pewter.

Ready to be installed, installation required.

Wall mount screws not included.

Holders available: Brass, Pewter and Copper.

Flex: 1m Black Twisted Fabric Flex.

Ceiling rose: Brass, Pewter and Copper.

DIMENSIONS

Shade Diameter: 33 cm / 13"

Shade Height (no holder): 21 cm / 8.3"

Holder Diameter: 4 cm / 1.6"

Holder Height: 10 cm / 4.1"

Ceiling Rose Diameter: 8 cm / 3"

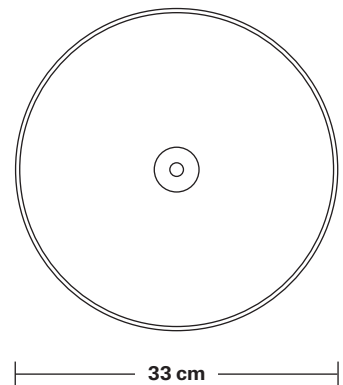
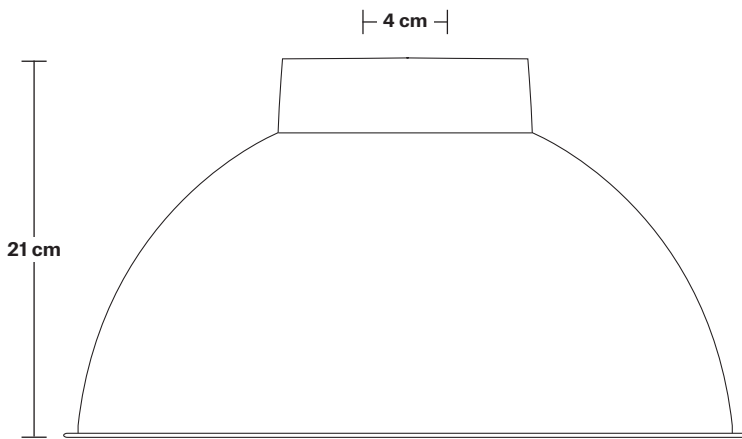
Ceiling Rose Height: 2 cm / 0.8"

INDUSTVILLE

Dome - 13 Inch - Shade Only

Product Code: D13-SO

H: 21 cm x W: 33 cm x D: 33 cm



SPECIFICATIONS

We meet all UK and EU lighting and safety regulations.

Our products are hand finished to ensure an authentic vintage look and therefore they may vary slightly from those shown in the images.

Bulb required: Standard screw (E27) fitting, max 40W.

Shade weight: 1.1kg

INFORMATION

Finishes: Brass, Pewter, Light Pewter, Copper, Copper & Pewter, Brass & Pewter.

Ready to be installed, installation required.

Wall mount screws not included.

DIMENSIONS

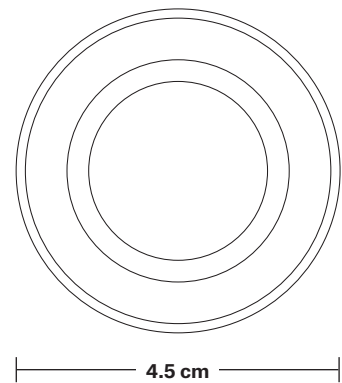
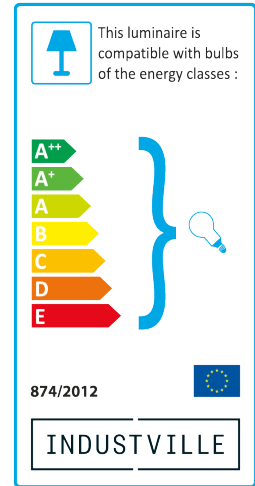
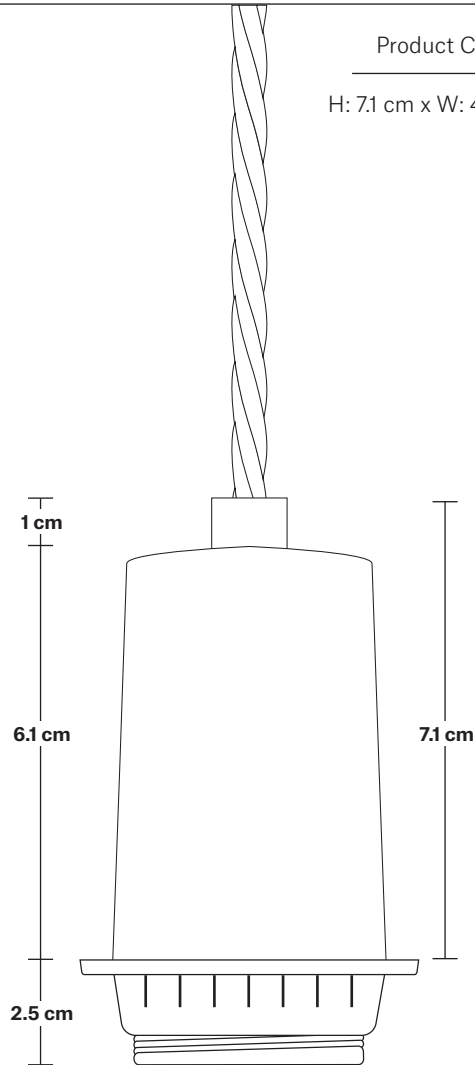
Shade Diameter: 33 cm / 13"

Shade Height (no holder): 21 cm / 8.3"

Sleek Edison ES E27 Bulb Holder

Product Code: SL-EBH

H: 7.1 cm x W: 4.5 cm x D: 4.5 cm



SPECIFICATIONS

We meet all UK and EU lighting and safety regulations.

Our products are hand finished to ensure an authentic vintage look and therefore they may vary slightly from those shown in the images.

Bulb required: Standard screw (E27) fitting, max 40W.

Weight: 0.1 kg

INFORMATION

Finishes: Brass, Pewter and Copper.

Ready to be installed, installation required.

Wall mount screws not included.

DIMENSIONS

Bulb Holder Depth: 7.1 cm / 2.8"

Bulb Holder Height: 4.5 cm / 1.8"

INDUSTVILLE

Dome - 13 Inch - Pewter & Copper

Shade Only

Dome - 13 Inch - Pewter & Copper - Shade Only	D13-CP-SO
---	------------------

Brooklyn Dome Pendant - 13 Inch - Pewter & Copper

Brooklyn Dome Pendant - 13 Inch - Pewter & Copper - Pewter Holder	BR-DP13-CP-PH
---	----------------------

Brooklyn Dome Pendant - 13 Inch - Pewter & Copper - Copper Holder	BR-DP13-CP-CH
---	----------------------

Brooklyn Dome Pendant - 13 Inch - Pewter & Copper - Pewter Chain Holder	BR-DP13-CP-PCN
---	-----------------------

Brooklyn Dome Flush Mount - 13 Inch - Pewter & Copper

Brooklyn Dome Flush Mount - 13 Inch - Pewter & Copper - Pewter Holder	BR-DFM13-CP-PH
---	-----------------------

Brooklyn Dome Flush Mount - 13 Inch - Pewter & Copper - Copper Holder	BR-DFM13-CP-CH
---	-----------------------

Sleek Dome Pendant - 13 Inch - Pewter & Copper

Sleek Dome Pendant - 13 Inch - Pewter & Copper - Pewter Holder	SL-DP13-CP-PH
--	----------------------

Sleek Dome Pendant - 13 Inch - Pewter & Copper - Copper Holder	SL-DP13-CP-CH
--	----------------------
