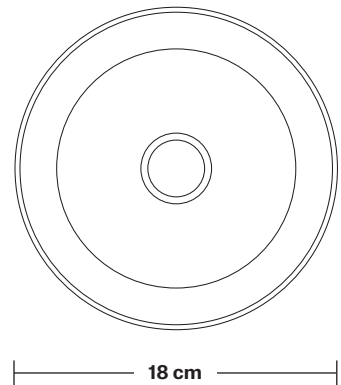
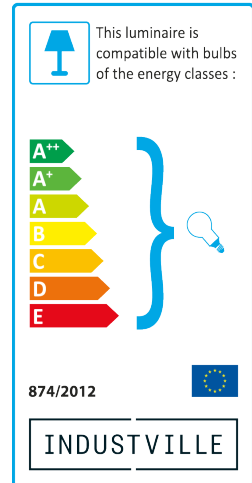
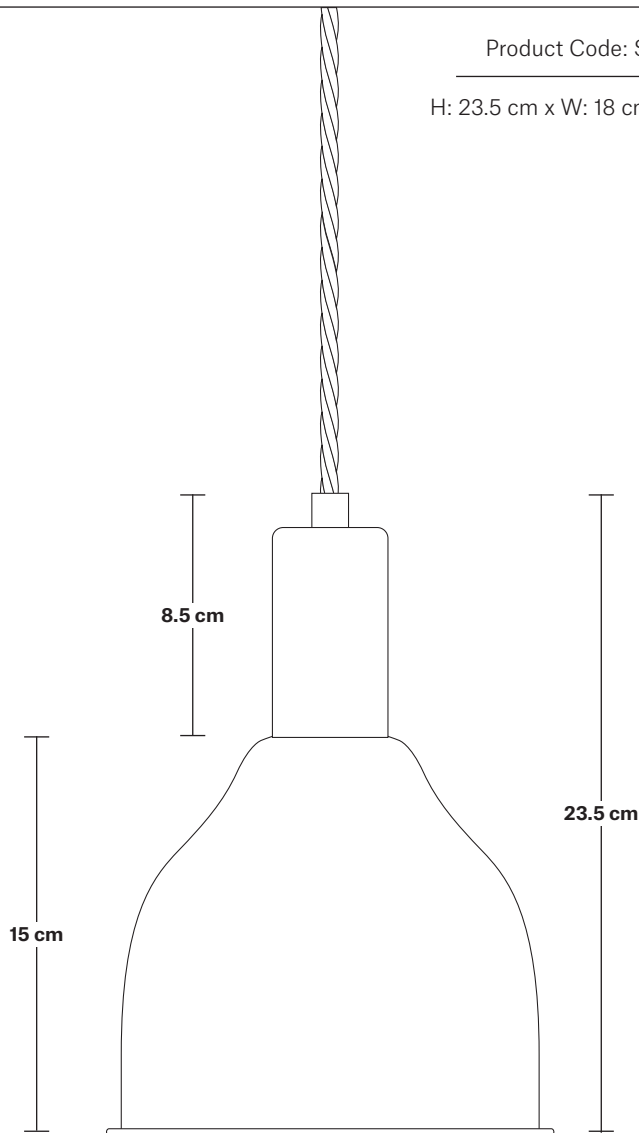


Sleek Cone Pendant - 7 Inch

Product Code: SL-CP7

H: 23.5 cm x W: 18 cm x D: 18 cm



SPECIFICATIONS

We meet all UK and EU lighting and safety regulations.

Our products are hand finished to ensure an authentic vintage look and therefore they may vary slightly from those shown in the images.

Bulb required: Standard screw (E27) fitting, max 40W.

Shade weight: 0.35 kg | **Holder weight:** 0.2 kg

Maximum weight: 0.55 kg

INFORMATION

Finishes: Brass, Pewter and Copper.

Ready to be installed, installation required.

Wall mount screws not included.

Holders available: Brass, Pewter and Copper.

Flex: 1m Black Twisted Fabric Flex.

Ceiling rose: Brass, Pewter and Copper.

DIMENSIONS

Shade Diameter: 18 cm / 7"

Shade Height (no holder): 15 cm / 6.1"

Holder Diameter: 4 cm / 1.6"

Holder Height: 10 cm / 4.1"

Ceiling Rose Diameter: 8 cm / 3"

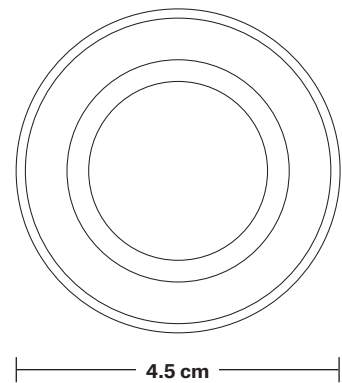
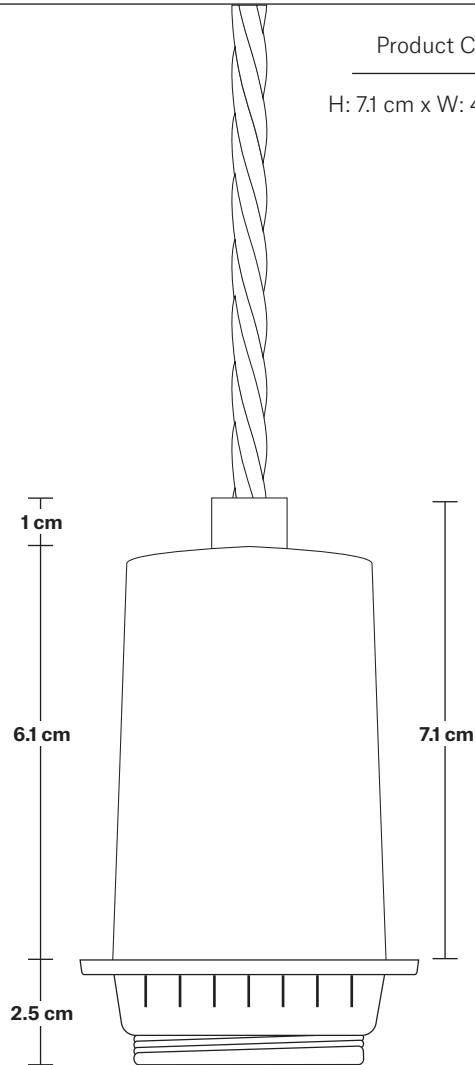
Ceiling Rose Height: 2 cm / 0.8"

INDUSTVILLE

Sleek Edison ES E27 Bulb Holder

Product Code: SL-EBH

H: 7.1 cm x W: 4.5 cm x D: 4.5 cm



SPECIFICATIONS

We meet all UK and EU lighting and safety regulations.

Our products are hand finished to ensure an authentic vintage look and therefore they may vary slightly from those shown in the images.

Bulb required: Standard screw (E27) fitting, max 40W.

Weight: 0.1 kg

INFORMATION

Finishes: Brass, Pewter and Copper.

Ready to be installed, installation required.

Wall mount screws not included.

DIMENSIONS

Bulb Holder Height: 9.6 cm / 3.8"

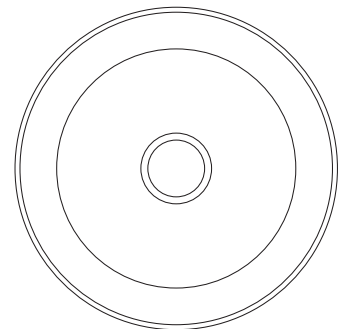
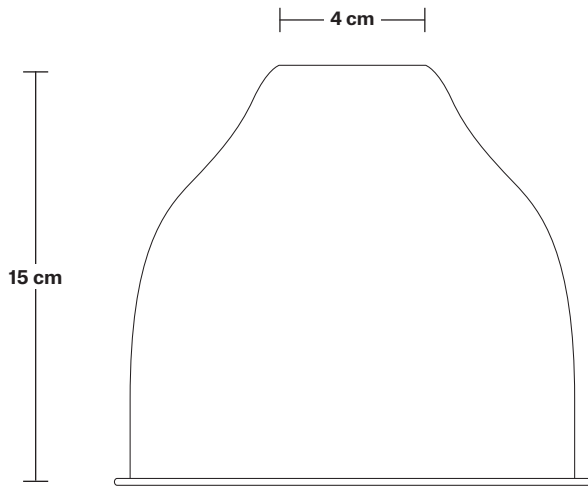
Bulb Holder Depth: 4.5 cm / 1.8"

INDUSTVILLE

Cone Shade - 7 Inch - Shade Only

Product Code: C7-SO

H: 15 cm x W: 18 cm x D: 18 cm



18 cm

SPECIFICATIONS

We meet all UK and EU lighting and safety regulations.

Our products are hand finished to ensure an authentic vintage look and therefore they may vary slightly from those shown in the images.

Bulb required: Standard screw (E27) fitting, max 40W.

Shade weight: 0.35 kg

INFORMATION

Finishes: Brass, Pewter and Copper.

Ready to be installed, installation required.

Wall mount screws not included.

DIMENSIONS

Shade Diameter: 18 cm / 7"

Shade Height (no holder): 15 cm / 6.1"

Cone - 7 Inch - Copper

Shade Only

Cone - 7 Inch - Copper - Shade Only

C7-C-SO

Brooklyn Cone Pendant - 7 Inch - Copper

Brooklyn Cone Pendant - 7 Inch - Copper - Pewter Holder

BR-CP7-C-PH

Brooklyn Cone Pendant - 7 Inch - Copper - Copper Holder

BR-CP7-C-CH

Brooklyn Cone Flush Mount - 7 Inch - Copper

Brooklyn Cone Flush Mount - 7 Inch - Copper- Pewter Holder

BR-CFM7-C-PH

Brooklyn Cone Flush Mount - 7 Inch - Copper- Copper Holder

BR-CFM7-C-CH

Brooklyn Cone Wall Light - 7 Inch - Copper

Brooklyn Cone Wall Light - 7 Inch - Copper- Pewter Holder

BR-CWL7-C-PH

Brooklyn Cone Wall Light - 7 Inch - Copper- Copper Holder

BR-CWL7-C-CH

Sleek Cone Pendant - 7 Inch - Copper

Sleek Cone Pendant - 7 Inch - Copper - Pewter Holder

SL-CP7-C-PH

Sleek Cone Pendant - 7 Inch - Copper - Copper Holder

SL-CP7-C-CH
