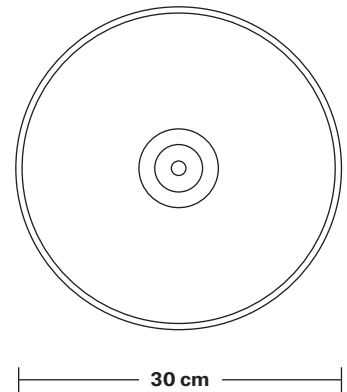
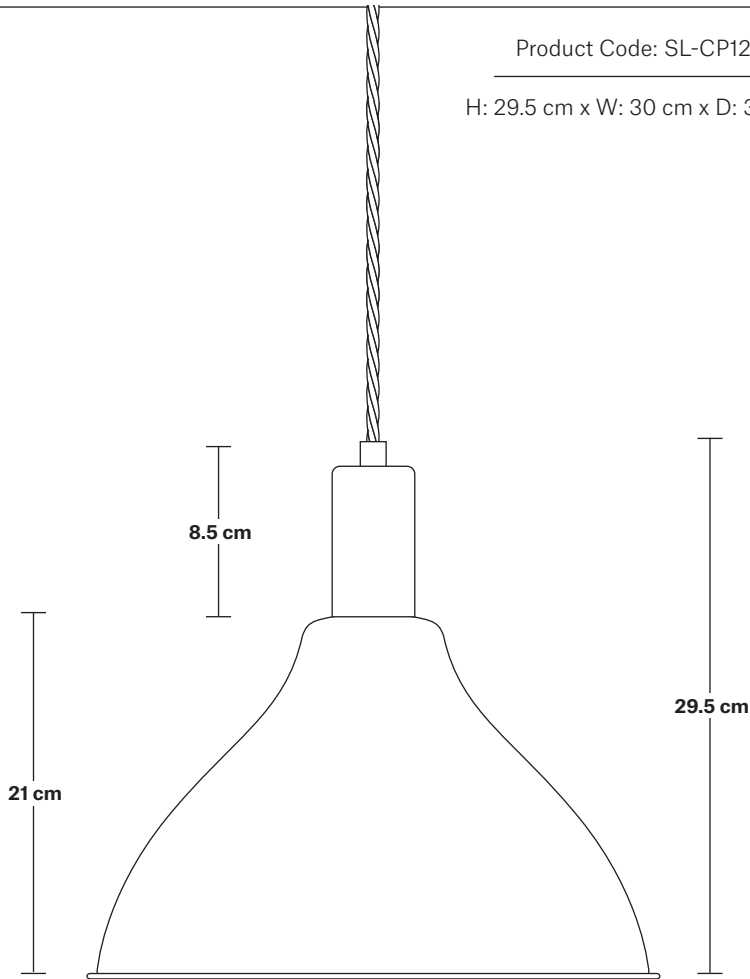


Sleek Cone Pendant - 12 Inch

Product Code: SL-CP12

H: 29.5 cm x W: 30 cm x D: 30 cm



SPECIFICATIONS

We meet all UK and EU lighting and safety regulations.

Our products are hand finished to ensure an authentic vintage look and therefore they may vary slightly from those shown in the images.

Bulb required: Standard screw (E27) fitting, max 40W.

Shade weight: 0.85 kg | **Holder weight:** 0.2 kg

Maximum weight: 1.05 kg

INFORMATION

Finishes: Brass, Pewter and Copper.

Ready to be installed, installation required.

Wall mount screws not included.

Holders available: Brass, Pewter and Copper.

Flex: 1m Black Twisted Fabric Flex.

Ceiling rose: Brass, Pewter and Copper.

DIMENSIONS

Shade Diameter: 30 cm / 12"

Shade Height (no holder): 21 cm / 8.3"

Holder Diameter: 4 cm / 1.6"

Holder Height: 10 cm / 4.1"

Ceiling Rose Diameter: 8 cm / 3"

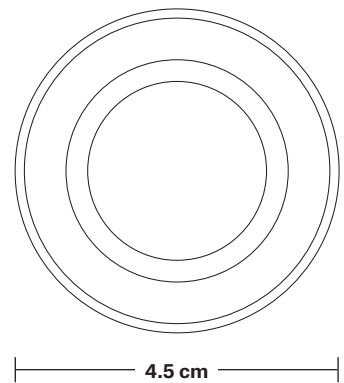
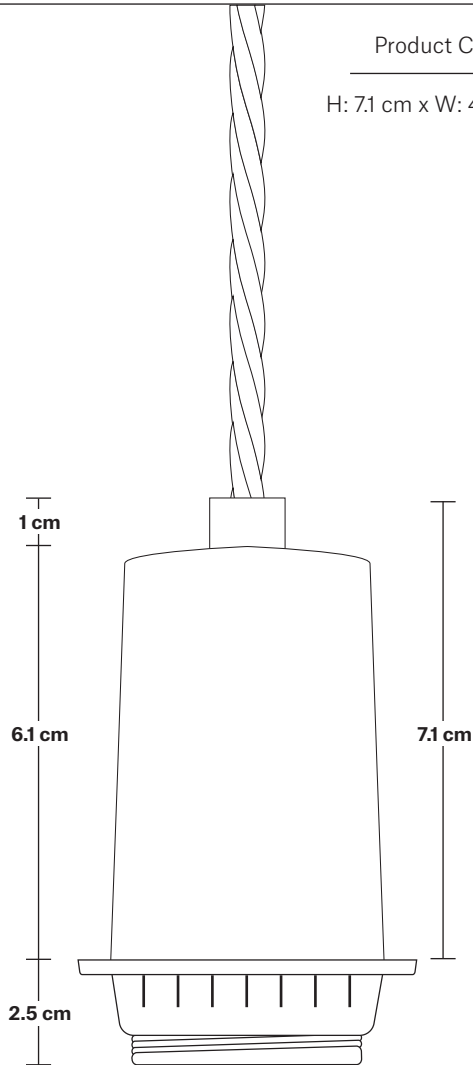
Ceiling Rose Height: 2 cm / 0.8"

INDUSTVILLE

Sleek Edison ES E27 Bulb Holder

Product Code: SL-EBH

H: 7.1 cm x W: 4.5 cm x D: 4.5 cm



SPECIFICATIONS

We meet all UK and EU lighting and safety regulations.

Our products are hand finished to ensure an authentic vintage look and therefore they may vary slightly from those shown in the images.

Bulb required: Standard screw (E27) fitting, max 40W.

Weight: 0.1 kg

INFORMATION

Finishes: Brass, Pewter and Copper.

Ready to be installed, installation required.

Wall mount screws not included.

DIMENSIONS

Bulb Holder Height: 9.6 cm / 3.8"

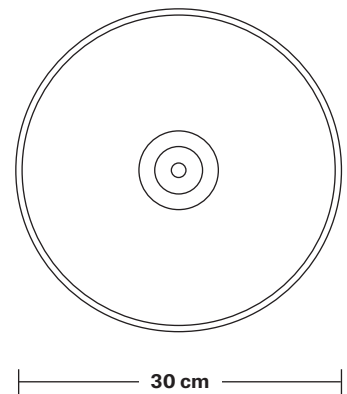
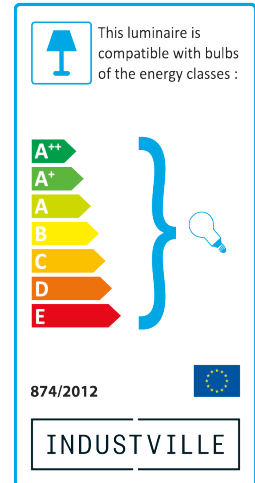
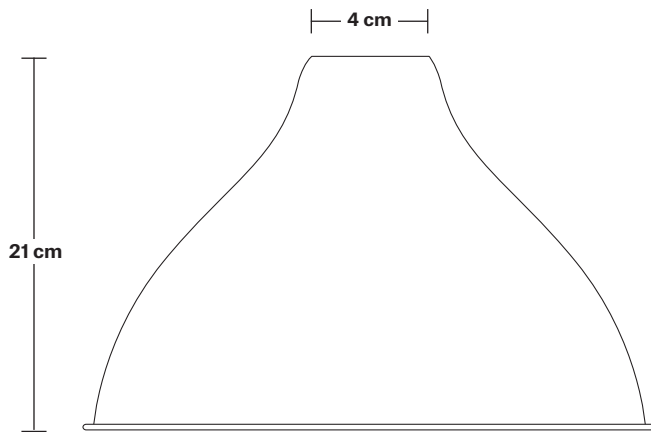
Bulb Holder Depth: 4.5 cm / 1.8"

INDUSTVILLE

Cone - 12 Inch - Shade Only

Product Code: C12-SO

H: 21 cm x W: 30 cm x D: 30 cm



SPECIFICATIONS

We meet all UK and EU lighting and safety regulations.

Our products are hand finished to ensure an authentic vintage look and therefore they may vary slightly from those shown in the images.

Bulb required: Standard screw (E27) fitting, max 40W.

Shade weight: 0.85 kg

INFORMATION

Finishes: Brass, Pewter and Copper.

Ready to be installed, installation required.

Wall mount screws not included.

DIMENSIONS

Shade Diameter: 30 cm / 12"

Shade Height (no holder): 21 cm / 8.3"

INDUSTVILLE

Cone - 12 Inch - Pewter

Shade Only

| | |
|--------------------------------------|-----------------|
| Cone - 12 Inch - Pewter - Shade Only | C12-P-SO |
|--------------------------------------|-----------------|

Brooklyn Cone Pendant - 12 Inch - Pewter

| | |
|---|---------------------|
| Brooklyn Cone Pendant - 12 Inch - Pewter - Brass Holder | BR-CP12-P-BH |
|---|---------------------|

| | |
|--|---------------------|
| Brooklyn Cone Pendant - 12 Inch - Pewter - Pewter Holder | BR-CP12-P-PH |
|--|---------------------|

| | |
|--|---------------------|
| Brooklyn Cone Pendant - 12 Inch - Pewter - Copper Holder | BR-CP12-P-CH |
|--|---------------------|

| | |
|--|----------------------|
| Brooklyn Cone Pendant - 12 Inch - Pewter - Pewter Chain Holder | BR-CP12-P-PCN |
|--|----------------------|

Brooklyn Cone Flush Mount - 12 Inch - Pewter

| | |
|---|----------------------|
| Brooklyn Cone Flush Mount - 12 Inch - Pewter - Brass Holder | BR-CFM12-P-BH |
|---|----------------------|

| | |
|--|----------------------|
| Brooklyn Cone Flush Mount - 12 Inch - Pewter - Pewter Holder | BR-CFM12-P-PH |
|--|----------------------|

| | |
|--|----------------------|
| Brooklyn Cone Flush Mount - 12 Inch - Pewter - Copper Holder | BR-CFM12-P-CH |
|--|----------------------|

Swan Neck Cone Wall Light - 12 Inch - Pewter

| | |
|--|----------------------|
| Swan Neck Cone Wall Light - 12 Inch - Pewter - Pewter Holder | SN-CWL12-P-PH |
|--|----------------------|

Sleek Cone Pendant - 12 Inch - Pewter

| | |
|--|---------------------|
| Sleek Cone Pendant - 12 Inch - Pewter - Brass Holder | SL-CP12-P-BH |
|--|---------------------|

| | |
|---|---------------------|
| Sleek Cone Pendant - 12 Inch - Pewter - Pewter Holder | SL-CP12-P-PH |
|---|---------------------|

| | |
|---|---------------------|
| Sleek Cone Pendant - 12 Inch - Pewter - Copper Holder | SL-CP12-P-CH |
|---|---------------------|