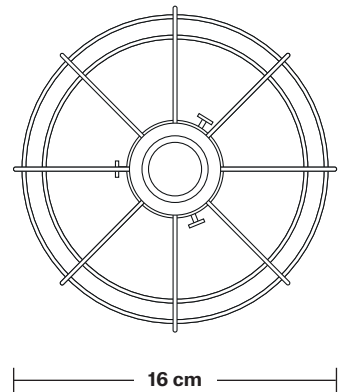
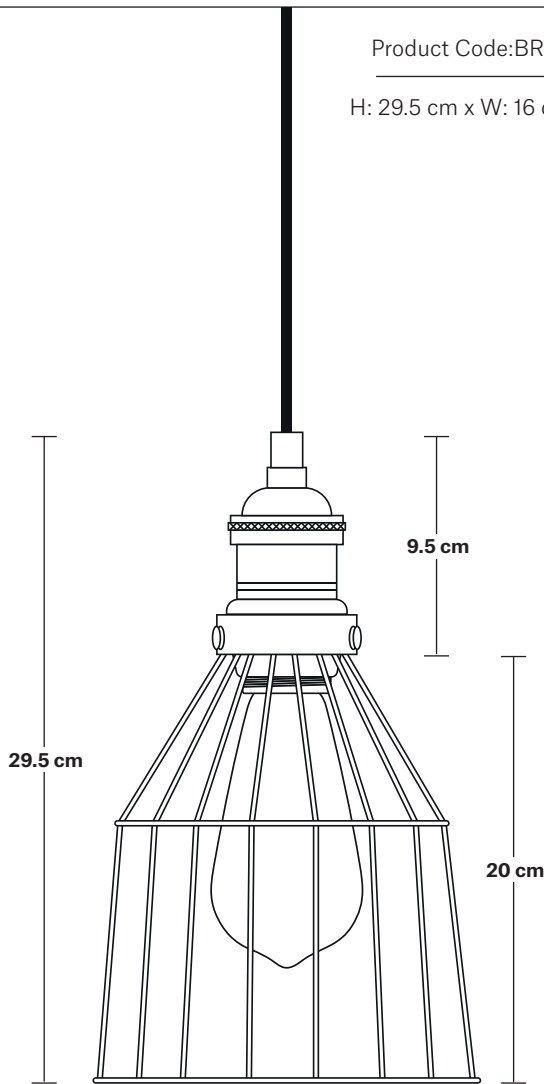


Brooklyn Cage Pendant - 6 Inch - Cone

Product Code: BR-WCP6-CN

H: 29.5 cm x W: 16 cm x D: 16 cm



SPECIFICATIONS

We meet all UK and EU lighting and safety regulations.

Our products are hand finished to ensure an authentic vintage look and therefore they may vary slightly from those shown in the images.

Bulb required: Standard screw (E27) fitting, max 40W.

Shade weight: 0.24 kg | **Holder weight:** 0.5 kg

Maximum weight: 0.74 kg

INFORMATION

Finishes: Rusty and Pewter.

Ready to be installed, installation required.

Wall mount screws not included.

Holders available: Brass, Pewter and Copper.

Flex: 1m Black Round Fabric Flex.

Ceiling rose: Pewter.

DIMENSIONS

Shade Diameter: 16 cm / 6.3"

Shade Height (no holder): 20 cm / 7.8"

Holder Diameter: 6 cm / 2.5"

Holder Height: 11 cm / 4.3"

Ceiling rose Diameter: 12 cm / 4.9"

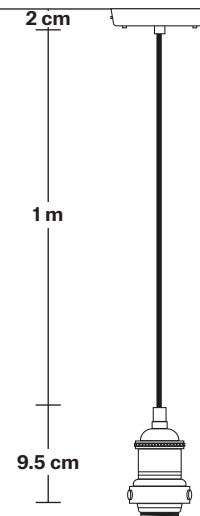
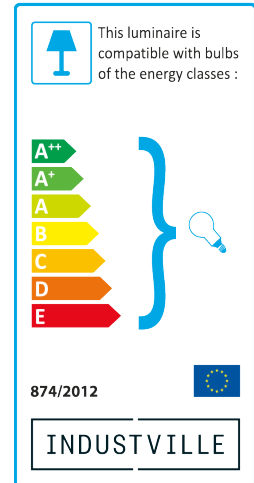
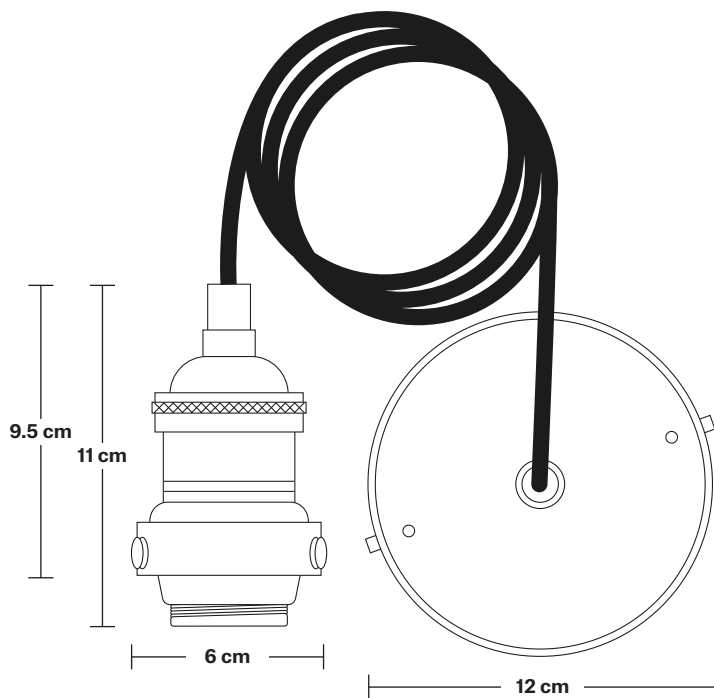
Ceiling rose Height: 2 cm / 0.8"

INDUSTVILLE

Brooklyn Cord Set ES E27 Bulb Holder

Product Code: BR-CS

H: 113 cm x W: 12 cm x D: 12 cm



SPECIFICATIONS

We meet all UK and EU lighting and safety regulations.

Our products are hand finished to ensure an authentic vintage look and therefore they may vary slightly from those shown in the images.

Bulb required: Standard screw (E27) fitting, max 40W.

Weight: 0.5 kg

INFORMATION

Finishes: Brass, Pewter and Copper.

Ready to be installed, installation required.

Wall mount screws not included.

Flex: 1m Black Round Fabric Flex.

Ceiling rose: Pewter.

DIMENSIONS

Bulb Holder Diameter: 6 cm / 2.5"

Bulb Holder Height: 11 cm / 4.3"

Ceiling Rose height: 12 cm / 4.9"

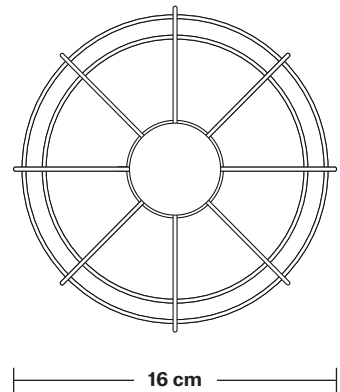
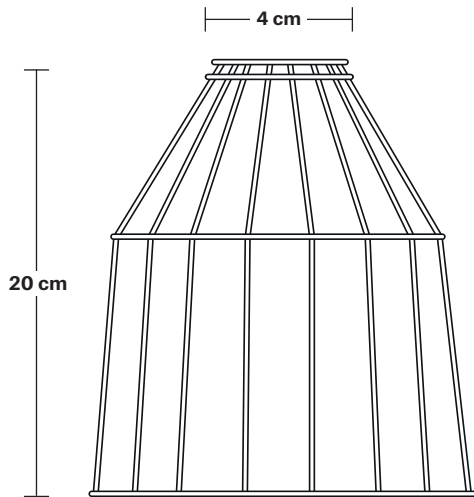
Full Drop: 113 cm / 44.5"

INDUSTVILLE

Cage - 6 Inch - Cone - Shade Only

Product Code: WC6-CN-SO

H: 20 cm x W: 16 cm x D: 16 cm



SPECIFICATIONS

We meet all UK and EU lighting and safety regulations.

Our products are hand finished to ensure an authentic vintage look and therefore they may vary slightly from those shown in the images.

Bulb required: Standard screw (E27) fitting, max 40W.

Shade weight: 0.24 kg

INFORMATION

Finishes: Rusty and Pewter.

Ready to be installed, installation required.

Wall mount screws not included.

DIMENSIONS

Shade Diameter: 16 cm / 6.3"

Shade Height (no holder): 20 cm / 7.8"

Wire Cage - 6 Inch - Pewter - Cone

Shade Only

Wire Cage - 6 Inch - Cone - Shade Only	WC6-P-CN-SO
--	--------------------

Brooklyn Wire Cage Pendant - 6 Inch - Pewter - Cone

Brooklyn Wire Cage Pendant - 6 Inch - Pewter - Cone - Brass Holder	BR-WCP6-P-CN-BH
--	------------------------

Brooklyn Wire Cage Pendant - 6 Inch - Pewter - Cone - Pewter Holder	BR-WCP6-P-CN-PH
---	------------------------

Brooklyn Wire Cage Pendant - 6 Inch - Pewter - Cone - Copper Holder	BR-WCP6-P-CN-CH
---	------------------------

Brooklyn Wire Cage Flush Mount - 6 Inch - Pewter - Cone

Brooklyn Wire Cage Flush Mount - 6 Inch - Pewter - Cone - Brass Holder	BR-WCFM6-P-CN-BH
--	-------------------------

Brooklyn Wire Cage Flush Mount - 6 Inch - Pewter - Cone - Pewter Holder	BR-WCFM6-P-CN-PH
---	-------------------------

Brooklyn Wire Cage Flush Mount - 6 Inch - Pewter - Cone - Copper Holder	BR-WCFM6-P-CN-CH
---	-------------------------

Brooklyn Wire Cage Wall Light - 6 Inch - Pewter - Cone

Brooklyn Wire Cage Wall Light - 6 Inch - Pewter - Cone - Brass Holder	BR-WCWL6-P-CN-BH
---	-------------------------

Brooklyn Wire Cage Wall Light - 6 Inch - Pewter - Cone - Pewter Holder	BR-WCWL6-P-CN-PH
--	-------------------------

Brooklyn Wire Cage Wall Light - 6 Inch - Pewter - Cone - Copper Holder	BR-WCWL6-P-CN-CH
--	-------------------------
