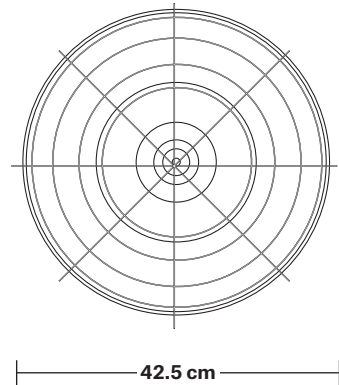
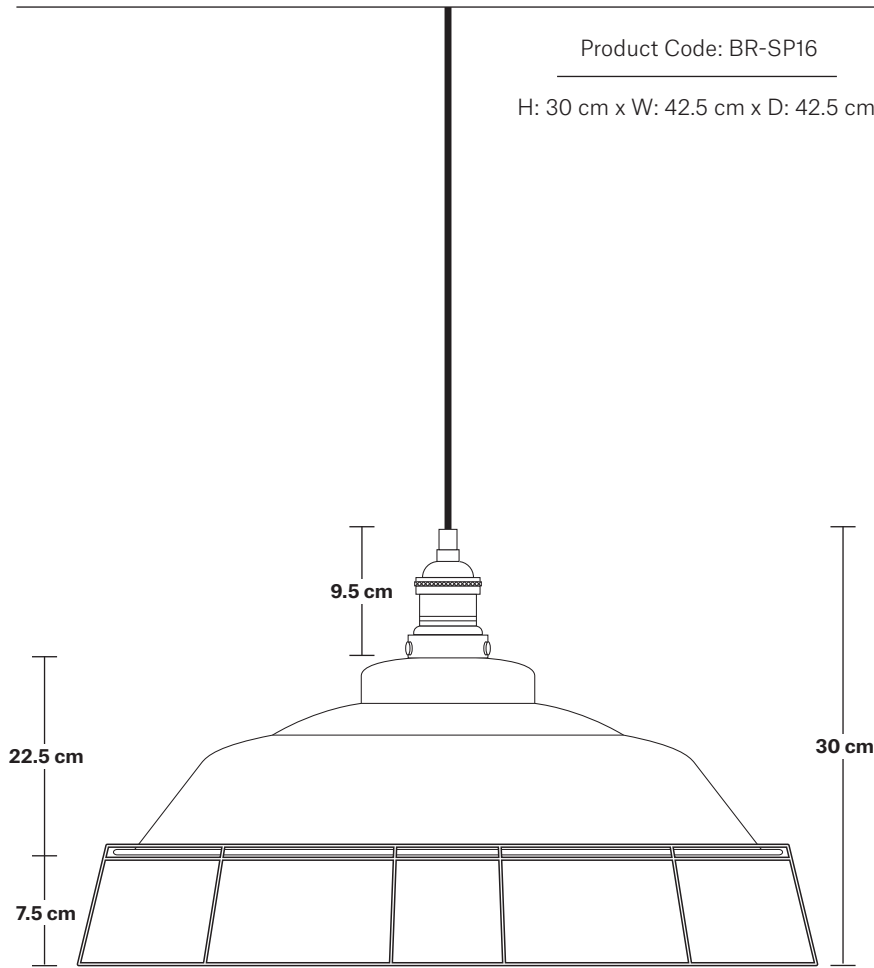


# Brooklyn Step Pendant - 16 Inch - With Cage

Product Code: BR-SP16

H: 30 cm x W: 42.5 cm x D: 42.5 cm



## SPECIFICATIONS

We meet all UK and EU lighting and safety regulations.

Our products are hand finished to ensure an authentic vintage look and therefore they may vary slightly from those shown in the images.

**Bulb required:** Standard screw (E27) fitting, max 40W.

**Shade weight:** 1.2 kg | **Holder weight:** 0.5 kg

**Cage weight:** 0.4 kg | **Max weight:** 2.1 kg

## INFORMATION

**Finishes:** Brass, Pewter, Copper and Light Pewter.

Ready to be installed, installation required.

Wall mount screws not included.

**Holders available:** Brass, Pewter, Copper, Pewter Chain Holder and Light Pewter Chain Holder.

**Flex:** 1m Black Round Plastic Flex.

**Chain flex:** 1m Black Round plastic and 1m Chain.

**Ceiling rose:** Pewter.

## DIMENSIONS

Shade Diameter: 41 cm / 16"

Shade height (no holder): 13 cm / 5.1"

Holder Diameter: 6 cm / 2.5"

Holder Height: 11 cm / 4.3"

Ceiling Rose Diameter: 12 cm / 4.9"

Ceiling Rose Height: 2 cm / 0.8"

Cage Diameter: 42.5 cm / 16.8"

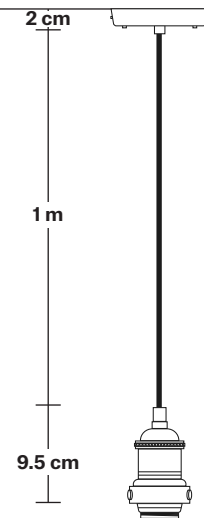
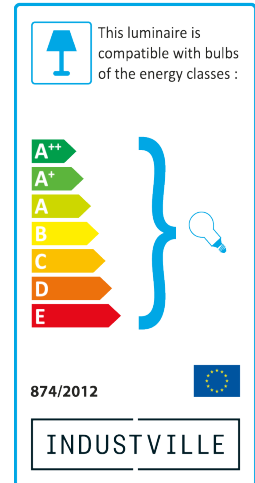
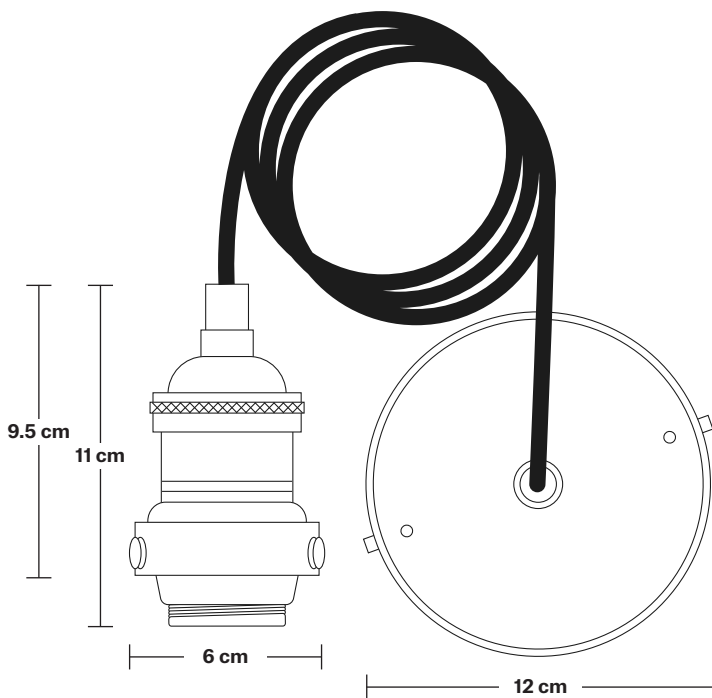
Cage Height: 7.5 cm / 3"

INDUSTVILLE

# Brooklyn Cord Set ES E27 Bulb Holder

Product Code: BR-CS

H: 113 cm x W: 12 cm x D: 12 cm



## SPECIFICATIONS

We meet all UK and EU lighting and safety regulations.

Our products are hand finished to ensure an authentic vintage look and therefore they may vary slightly from those shown in the images.

**Bulb required:** Standard screw (E27) fitting, max 40W.

**Weight:** 0.5 kg

## INFORMATION

**Finishes:** Brass, Pewter and Copper.

Ready to be installed, installation required.

Wall mount screws not included.

**Flex:** 1m Black Round Fabric Flex.

**Ceiling rose:** Pewter.

## DIMENSIONS

Bulb Holder Diameter: 6 cm / 2.5"

Bulb Holder Height: 11 cm / 4.3"

Ceiling Rose height: 12 cm / 4.9"

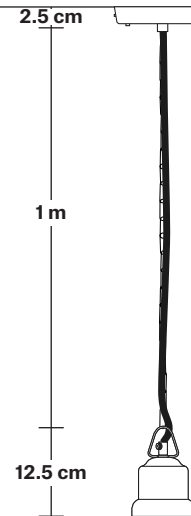
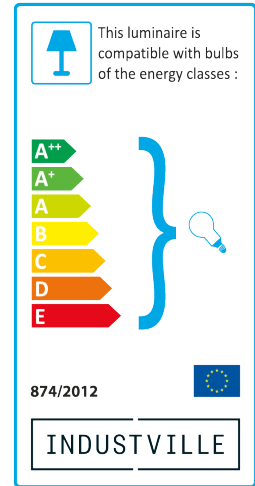
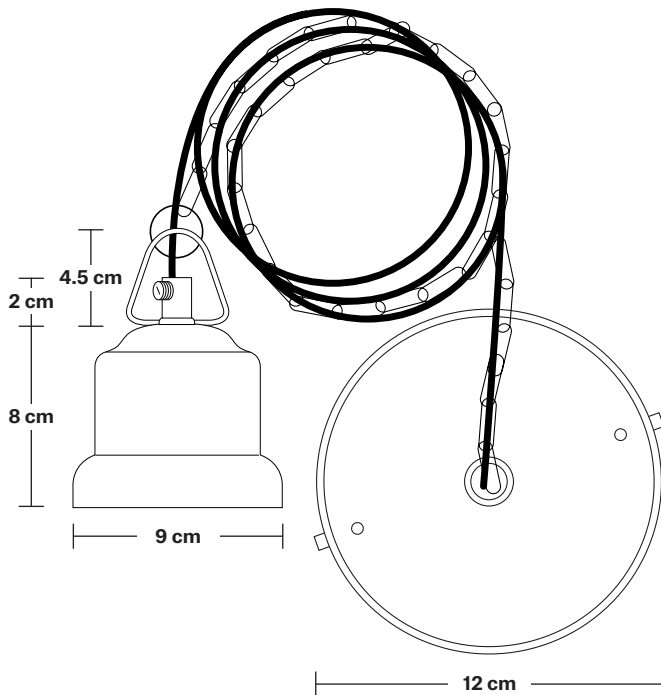
Full Drop: 113 cm / 44.5"

INDUSTVILLE

# Brooklyn Chain Cord Set ES E27 Bulb Holder

Product Code: BR-CS

H: 115 cm x W: 12 cm x D: 12 cm



## SPECIFICATIONS

We meet all UK and EU lighting and safety regulations.

Our products are hand finished to ensure an authentic vintage look and therefore they may vary slightly from those shown in the images.

**Bulb required:** Standard screw (E27) fitting, max 40W.

**Weight:** 0.5 kg

## INFORMATION

**Finishes:** Pewter and Light Pewter.

Ready to be installed, installation required.

Wall mount screws not included.

**Flex:** 1m Black Round Plastic Flex and 1m Chain.

**Ceiling rose:** Pewter.

## DIMENSIONS

Bulb Holder Diameter: 9 cm / 3.5"

Bulb Holder Height: 10 cm / 3.9"

Ceiling Rose Diameter: 12 cm / 4.7"

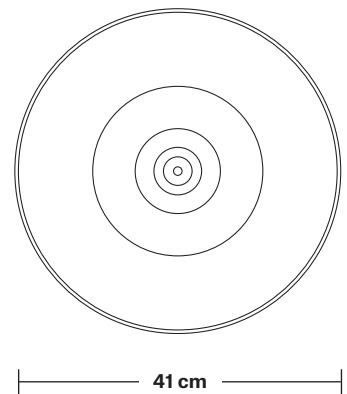
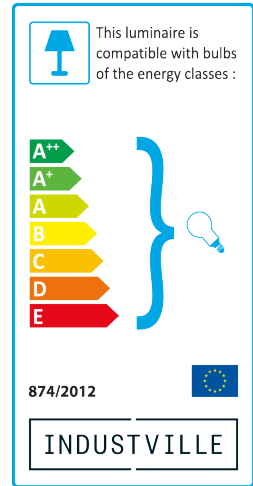
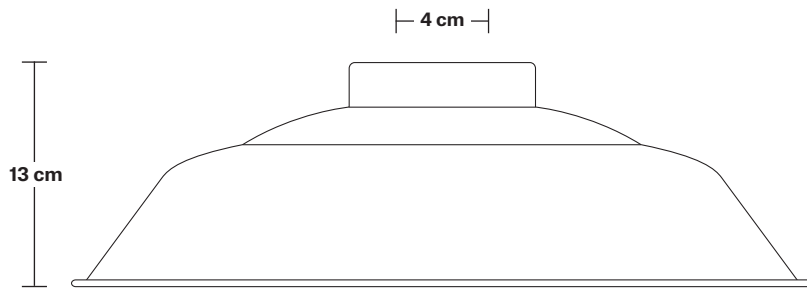
Ceiling Rose Height: 2.5 cm / 1"

Full Drop: 115 cm / 45.3"

# Step - 16 Inch - Shade Only

Product Code: S16-SO

H: 13 cm x W: 41 cm x D: 41 cm



## SPECIFICATIONS

We meet all UK and EU lighting and safety regulations.

Our products are hand finished to ensure an authentic vintage look and therefore they may vary slightly from those shown in the images.

**Bulb required:** Standard screw (E27) fitting, max 40W.

**Shade weight:** 1.2 kg

## INFORMATION

**Finishes:** Brass, Pewter, Copper and Light Pewter.

Ready to be installed, installation required.

Wall mount screws not included.

## DIMENSIONS

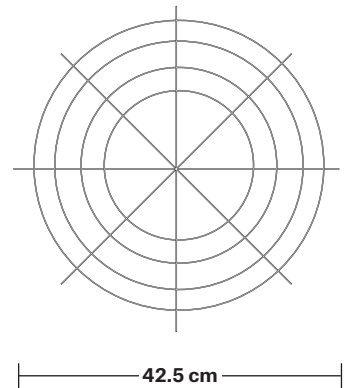
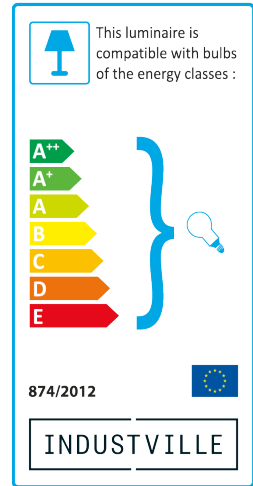
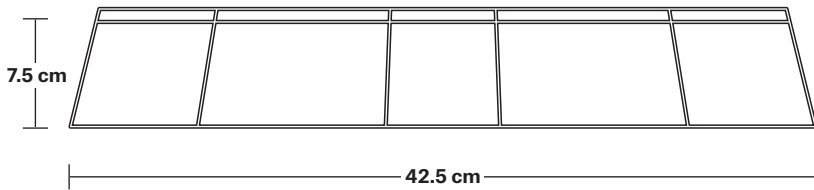
Shade Diameter: 41 cm / 16"

Shade Height (no holder): 13 cm / 5.1"

# Step - 16 Inch - Cage Only

Product Code: S16-CG

H: 7.5 cm x W: 42.5 cm x D: 42.5 cm



## SPECIFICATIONS

We meet all UK and EU lighting and safety regulations.

Our products are hand finished to ensure an authentic vintage look and therefore they may vary slightly from those shown in the images.

**Bulb required:** Standard screw (E27) fitting, max 40W.

**Cage weight:** 0.4 kg

## INFORMATION

**Finishes:** Aluminium.

## DIMENSIONS

Cage Diameter: 42.5 cm / 16.8"

Cage Height: 7.5 cm / 3"

# Step - 16 Inch - Pewter

## Shade Only

Step - 16 Inch - Pewter - Shade Only	<b>S16-P-SO</b>
Step - 16 Inch - Cage Only	<b>SP16-CG</b>

## Brooklyn Step Pendant - 16 Inch - Pewter

Brooklyn Step Pendant - 16 Inch - Pewter - Brass Holder	<b>BR-SP16-P-BH</b>
Brooklyn Step Pendant - 16 Inch - Pewter - Brass Holder - Cage	<b>BR-SP16-P-BH-CG</b>
Brooklyn Step Pendant - 16 Inch - Pewter - Pewter Holder	<b>BR-SP16-P-PH</b>
Brooklyn Step Pendant - 16 Inch - Pewter - Pewter Holder - Cage	<b>BR-SP16-P-PH-CG</b>
Brooklyn Step Pendant - 16 Inch - Pewter - Copper Holder	<b>BR-SP16-P-CH</b>
Brooklyn Step Pendant - 16 Inch - Pewter - Copper Holder - Cage	<b>BR-SP16-P-CH-CG</b>
Brooklyn Step Pendant - 16 Inch - Pewter - Pewter Chain Holder	<b>BR-SP16-P-PCN</b>
Brooklyn Step Pendant - 16 Inch - Pewter - Pewter Chain Holder - Cage	<b>BR-SP16-P-PCN-CG</b>

## Brooklyn Step Flush Mount - 16 Inch - Pewter

Brooklyn Step Flush Mount - 16 Inch - Pewter - Brass Holder	<b>BR-SFM16-P-BH</b>
Brooklyn Step Flush Mount - 16 Inch - Pewter - Brass Holder - Cage	<b>BR-SFM16-P-BH-CG</b>
Brooklyn Step Flush Mount - 16 Inch - Pewter - Pewter Holder	<b>BR-SFM16-P-PH</b>
Brooklyn Step Flush Mount - 16 Inch - Pewter - Pewter Holder - Cage	<b>BR-SFM16-P-PH-CG</b>
Brooklyn Step Flush Mount - 16 Inch - Pewter - Copper Holder	<b>BR-SFM16-P-CH</b>
Brooklyn Step Flush Mount - 16 Inch - Pewter - Copper Holder - Cage	<b>BR-SFM16-P-CH-CG</b>

## Swan Neck Step Wall Light - 16 Inch - Pewter

Swan Neck Step Wall Light - 16 Inch - Pewter	<b>SN-SWL16-P</b>
--	-------------------

## Sleek Step Pendant - 16 Inch - Pewter

Sleek Step Pendant - 16 Inch - Pewter - Brass Holder	<b>SL-SP16-P-BH</b>
Sleek Step Pendant - 16 Inch - Pewter - Brass Holder - Cage	<b>SL-SP16-P-BH-CG</b>
Sleek Step Pendant - 16 Inch - Pewter - Pewter Holder	<b>SL-SP16-P-PH</b>
Sleek Step Pendant - 16 Inch - Pewter - Pewter Holder - Cage	<b>SL-SP16-P-PH-CG</b>
Sleek Step Pendant - 16 Inch - Pewter - Copper Holder	<b>SL-SP16-P-CH</b>
Sleek Step Pendant - 16 Inch - Pewter - Copper Holder - Cage	<b>SL-SP16-P-CH-CG</b>