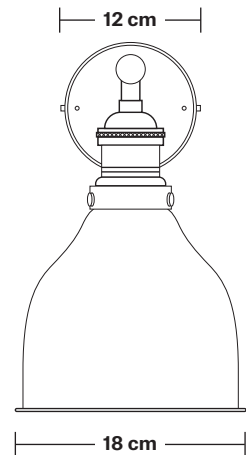
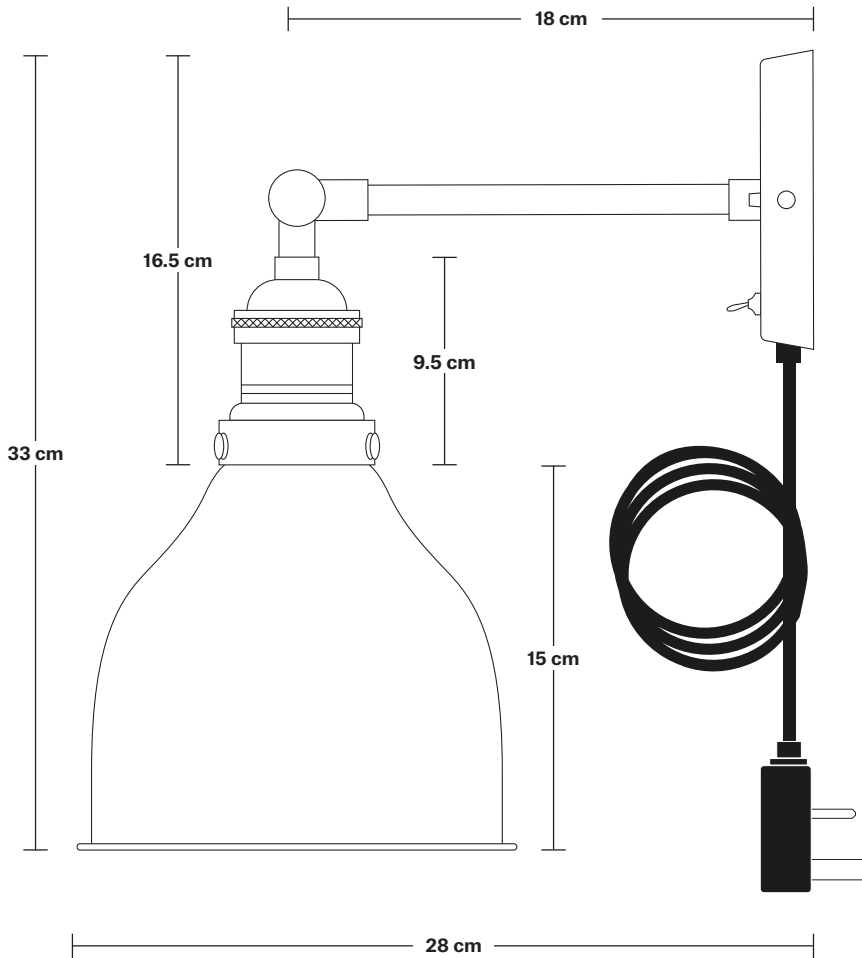


# Brooklyn Cone Wall Light - 7 Inch - With Plug

Product Code: BR-CWL7-FLWP

H: 31.5 cm x W: 18 cm x D: 28 cm



## SPECIFICATIONS

We meet all UK and EU lighting and safety regulations.

Our products are hand finished to ensure an authentic vintage look and therefore they may vary slightly from those shown in the images.

**Bulb required:** Standard screw (E27) fitting, max 40W.

**Shade weight:** 0.35 kg | **Holder weight:** 0.7 kg

**Maximum weight:** 1.05 kg

## INFORMATION

**Finishes:** Brass.

The lights can be operated by both the flick switch or the main switch.

**Holders available:** Brass, Pewter.

**Flex:** 1.5m Black Twisted Fabric Flex.

**Plug:** UK AC power plug BS1362

## DIMENSIONS

Shade Diameter: 18 cm / 7"

Shade Height (no holder): 15 cm / 6.1"

Holder Diameter: 6 cm / 2.5"

Holder Height: 18 cm / 7.1"

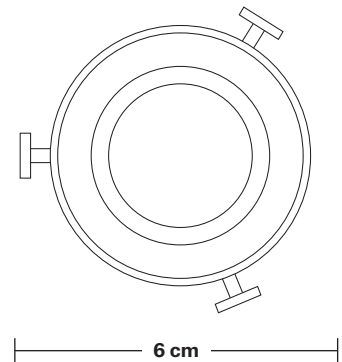
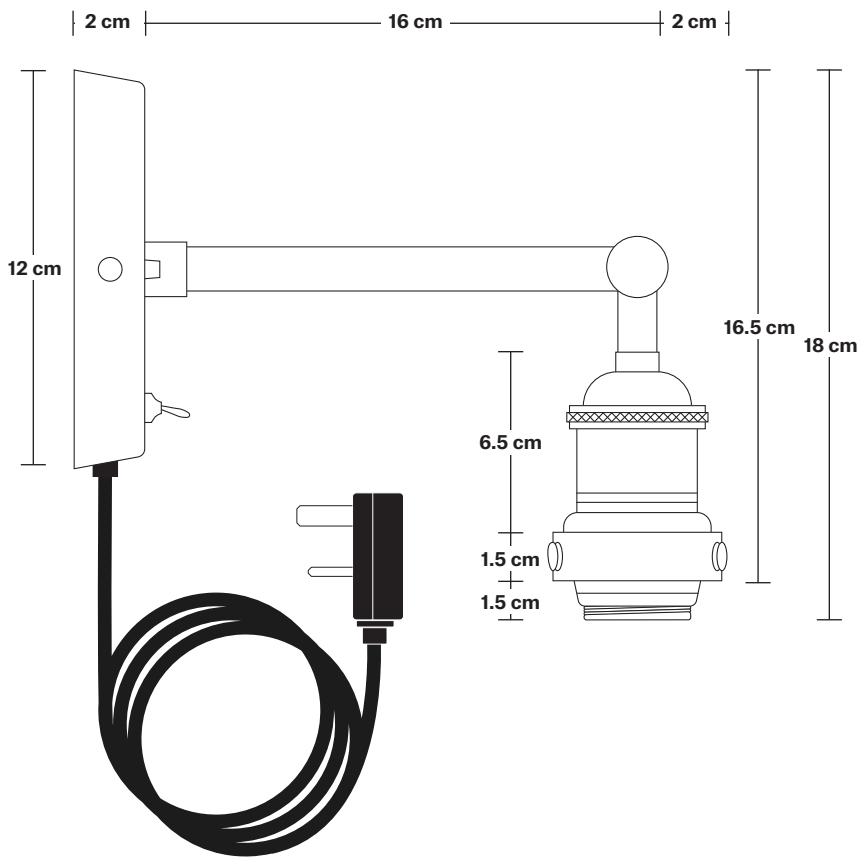
Wall Rose Diameter: 12 cm / 4.9"

Wall Rose Height: 2 cm / 0.8"

# Brooklyn Wall Holder With Plug

Product Code: BR-WL-FLWP

H: 18 cm x W: 12 cm x D: 20 cm



## SPECIFICATIONS

We meet all UK and EU lighting and safety regulations.

Our products are hand finished to ensure an authentic vintage look and therefore they may vary slightly from those shown in the images.

**Bulb required:** Standard screw (E27) fitting, max 40W.

**Weight:** 0.7 kg

## INFORMATION

**Finishes:** Brass, Pewter, Copper.

Wall mount screws not included.

The lights can be operated by both the flick switch or the main switch.

**Wall rose:** Pewter.

**Flex:** 1.5m Black Twisted Fabric Flex.

**Plug:** UK AC power plug BS1362

## DIMENSIONS

Holder Diameter: 6 cm / 2.5"

Holder Height: 18 cm / 7.1"

Projection: 20 cm / 7.9"

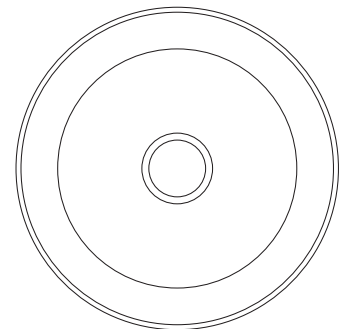
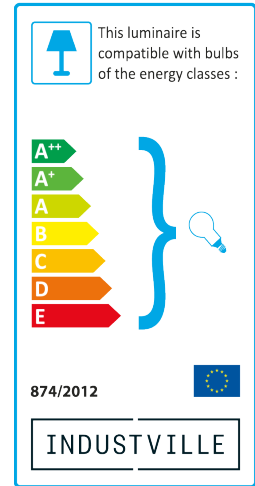
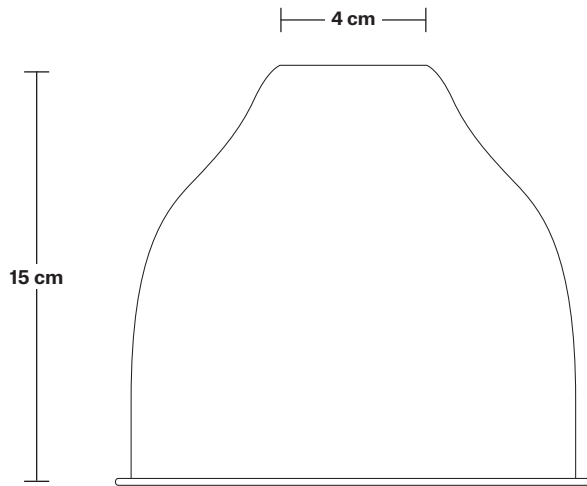
Wall Rose Diameter: 12 cm / 4.9"

Wall Rose Depth: 2 cm / 0.8"

# Cone Shade - 7 Inch - Shade Only

Product Code: C7-SO

H: 15 cm x W: 18 cm x D: 18 cm



18 cm

## SPECIFICATIONS

We meet all UK and EU lighting and safety regulations.

Our products are hand finished to ensure an authentic vintage look and therefore they may vary slightly from those shown in the images.

**Bulb required:** Standard screw (E27) fitting, max 40W.

**Shade weight:** 0.35 kg

## INFORMATION

**Finishes:** Brass, Pewter and Copper.

Ready to be installed, installation required.

Wall mount screws not included.

## DIMENSIONS

Shade Diameter: 18 cm / 7"

Shade Height (no holder): 15 cm / 6.1"

INDUSTVILLE

# Brooklyn Cone Wall Light - 7 Inch - Brass - With Plug

---

**Shade Only**

---

Cone - 7 Inch - Brass - Shade Only**C7-B-SO**

---

**Brooklyn Cone Wall Light - 7 Inch - Brass**

---

Brooklyn Cone Wall Light - 7 Inch - Brass - Brass Holder With Plug**BR-CWL7-B-BH-FLWP**

---

Brooklyn Cone Wall Light - 7 Inch - Brass - Pewter Holder With Plug

**BR-CWL7-B-PH-FLWP**

---