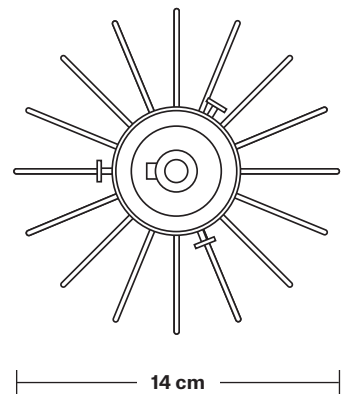
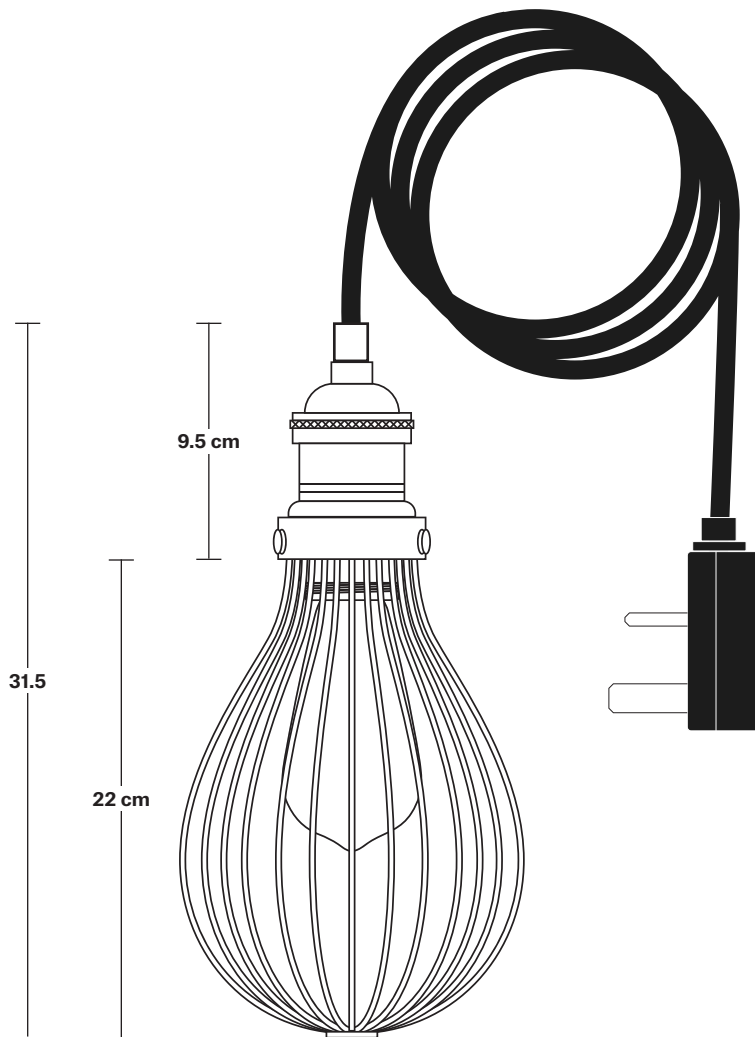


# Brooklyn Balloon Cage Pendant - 6 Inch - With Plug

Product Code: BR-BCP6-FLWP

H: 31.5 cm x W: 14 cm x D: 14 cm



## SPECIFICATIONS

We meet all UK and EU lighting and safety regulations.

Our products are hand finished to ensure an authentic vintage look and therefore they may vary slightly from those shown in the images.

**Bulb required:** Standard screw (E27) fitting, max 40W.

**Shade weight:** 0.25 kg | **Holder weight:** 0.4 kg

**Maximum weight:** 0.65 kg

## INFORMATION

**Finishes:** Pewter.

Ready to be installed, installation required.

Wall mount screws not included.

**Holders available:** Brass, Pewter, Copper.

**Flex:** 2m Black Twisted Fabric Flex.

**Plug:** UK AC power plug BS1362

## DIMENSIONS

Shade Diameter: 14 cm / 5.5"

Shade Height (no holder): 22 cm / 8.6"

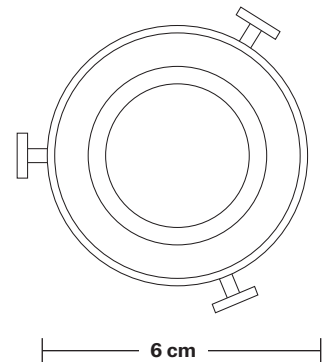
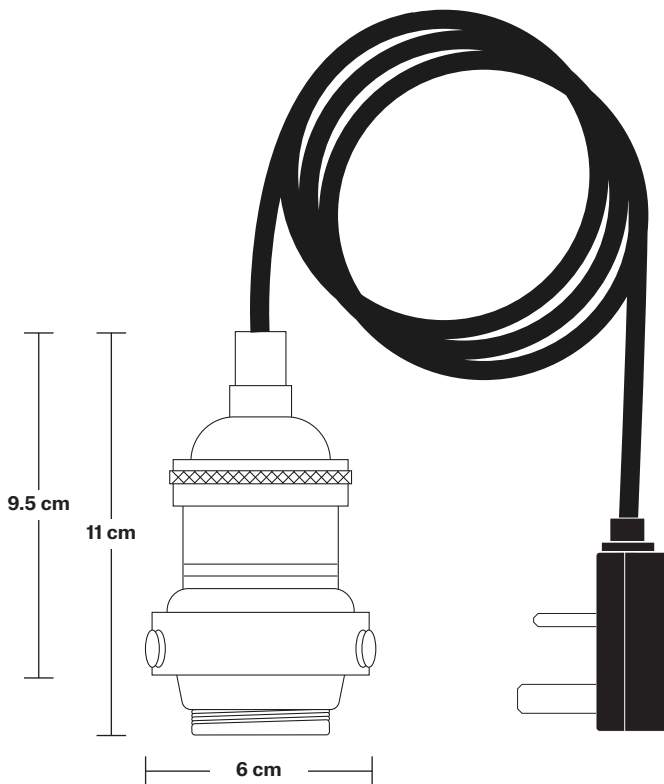
Holder Diameter: 6 cm / 2.5"

Holder Height: 11 cm / 4.3"

# Brooklyn Cord Set ES E27 Bulb Holder - Fabric Flex With Plug

Product Code: BR-CS-FLWP

H: 210 cm x W: 6 cm x D: 6 cm



## SPECIFICATIONS

We meet all UK and EU lighting and safety regulations.

Our products are hand finished to ensure an authentic vintage look and therefore they may vary slightly from those shown in the images.

**Bulb required:** Standard screw (E27) fitting, max 40W.

**Weight:** 0.4 kg

## INFORMATION

**Finishes:** Brass, Pewter, Copper.

**Flex:** 2m Black Twisted Fabric Flex.

**Plug:** UK AC power plug BS1362

## DIMENSIONS

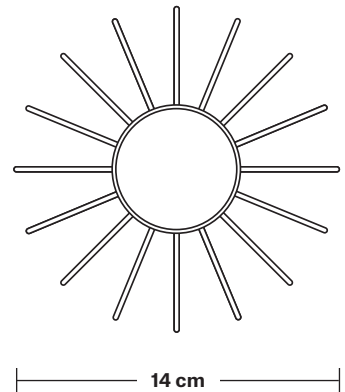
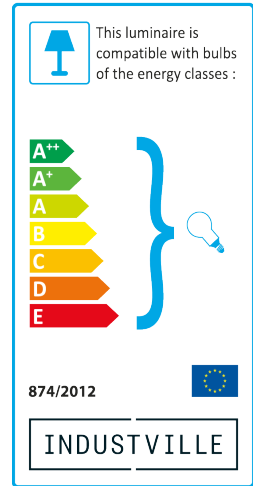
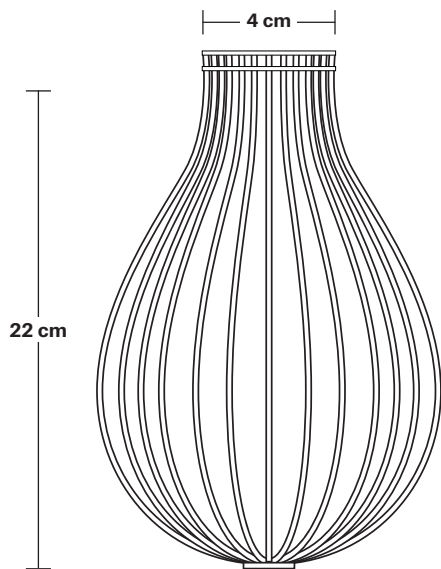
Bulb Holder Diameter: 6 cm / 2.5"

Bulb Holder Height: 11 cm / 4.3"

# Balloon Cage - 6 Inch - Shade Only

Product Code:BC6-SO

H: 22 cm x W: 14 cm x D: 14 cm



## SPECIFICATIONS

We meet all UK and EU lighting and safety regulations.

Our products are hand finished to ensure an authentic vintage look and therefore they may vary slightly from those shown in the images.

**Bulb required:** Standard screw (E27) fitting, max 40W.

**Shade weight:** 0.25 kg

## INFORMATION

**Finishes:** Pewter and Copper.

Ready to be installed, installation required.

Wall mount screws not included.

## DIMENSIONS

Shade Diameter: 14 cm / 5.5"

Shade Height (no holder): 22 cm / 8.6"

# Brooklyn Balloon Cage Pendant - 6 Inch - With Plug

---

**Shade Only**

---

Balloon Cage - 6 Inch - Pewter - Shade Only

**BC6-P-SO**

---

**Brooklyn Balloon Cage Pendant - 6 Inch - Pewter**

---

Brooklyn Balloon Cage Pendant - 6 Inch - Pewter - Brass Holder With Plug

**BR-BCP6-P-BH-FLWP**

---

Brooklyn Balloon Cage Pendant - 6 Inch - Pewter - Pewter Holder With Plug

**BR-BCP6-P-PH-FLWP**

---

Brooklyn Balloon Cage Pendant - 6 Inch - Pewter - Copper Holder With Plug

**BR-BCP6-P-CH-FLWP**

---