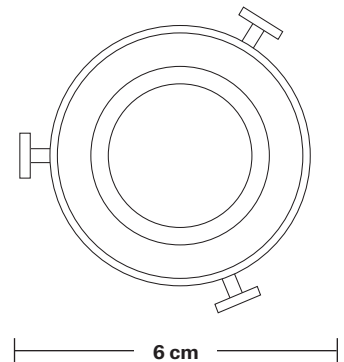
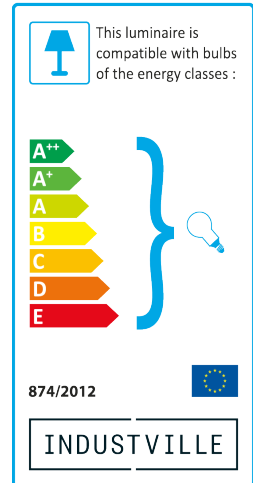
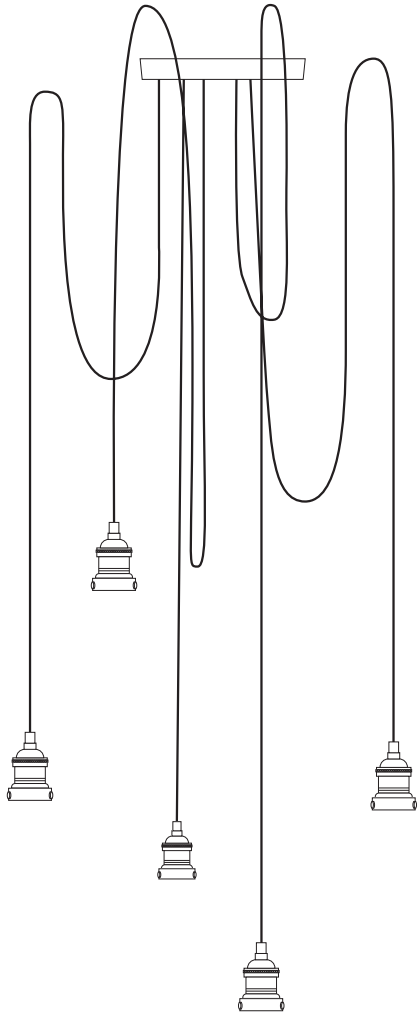


Brooklyn 5 Wire Pendant

Product Code: BR-5WP



SPECIFICATIONS

We meet all UK and EU lighting and safety regulations.

Our products are hand finished to ensure an authentic vintage look and therefore they may vary slightly from those shown in the images.

Bulb required: Standard screw (E27) fitting, max 40W.

Weight: 2.5 kg

INFORMATION

Finishes: Brass.

Ready to be installed, installation required.

Wall mount screws not included.

Holders available: Brass.

Ceiling rose: Pewter.

DIMENSIONS

Holder Diameter: 6 cm / 2.5"

Holder Height: 11 cm / 4.3"

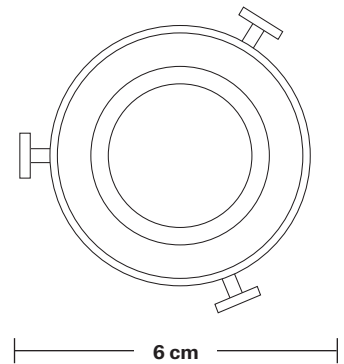
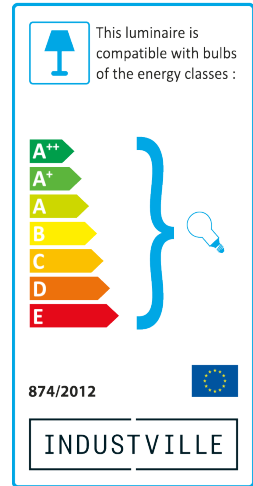
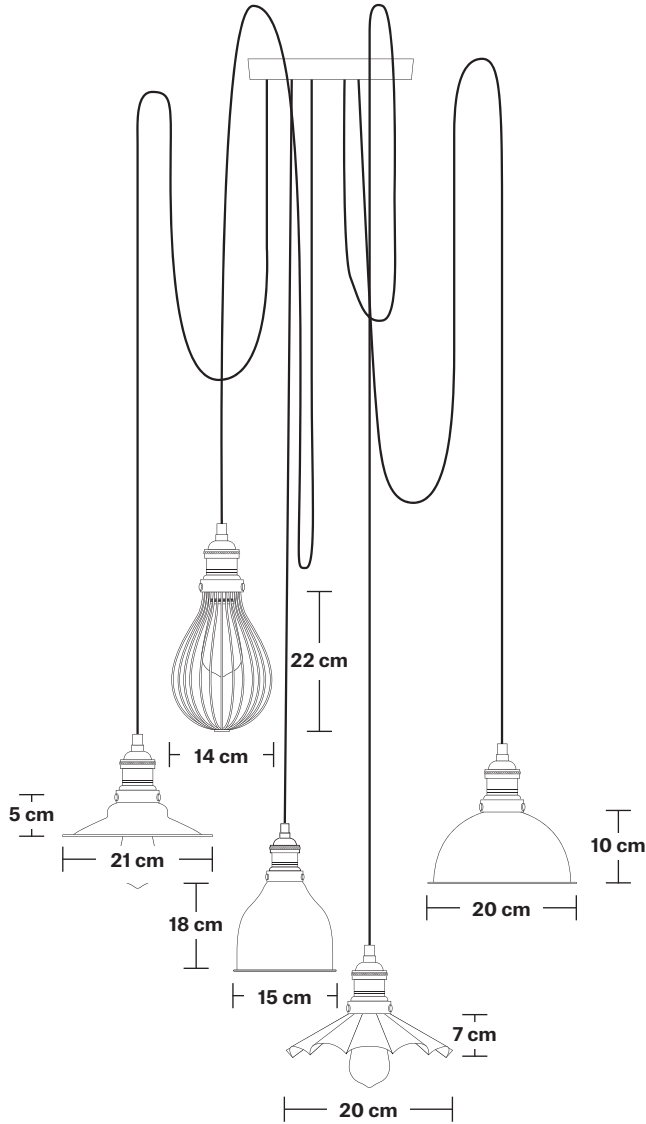
Ceiling Rose Diameter: 12 cm / 4.9"

Ceiling Rose Height: 2 cm / 0.8"

INDUSTVILLE

Brooklyn 5 Wire Pendant - Including Shades

Product Code: BR-5WP-MSO



SPECIFICATIONS

We meet all UK and EU lighting and safety regulations.

Our products are hand finished to ensure an authentic vintage look and therefore they may vary slightly from those shown in the images.

Bulb required: Standard screw (E27) fitting, max 40W.

Weight: 2.5 kg

INFORMATION

Finishes: Brass.

Ready to be installed, installation required.

Wall mount screws not included.

Holders available: Brass.

Ceiling rose: Pewter.

DIMENSIONS

Holder Diameter: 6 cm / 2.4"

Holder Height: 11 cm / 4.3"

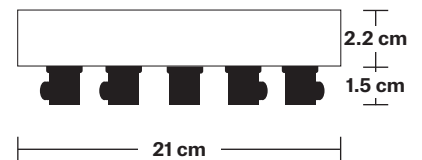
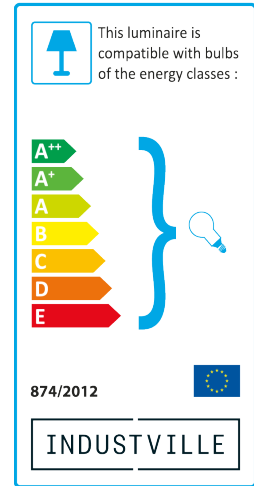
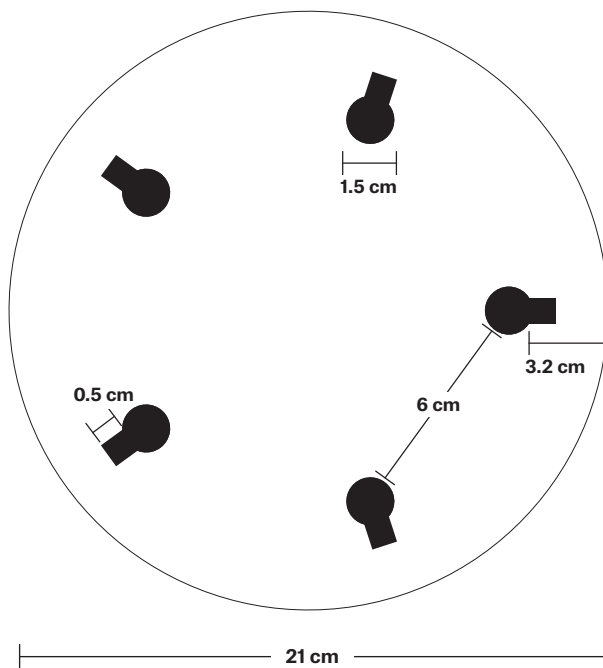
Ceiling Rose Diameter: 20.5 cm / 8.1"

Ceiling Rose Height: 2 cm / 0.8"

Brooklyn Ceiling Rose - 5 Outlet

Product Code: BR-CR50

H: 3.7 cm x W: 21 cm x D: 21 cm



SPECIFICATIONS

We meet all UK and EU lighting and safety regulations.

Our products are hand finished to ensure an authentic vintage look and therefore they may vary slightly from those shown in the images.

Bulb required: Standard screw (E27) fitting, max 40W.

Weight: 0.43 kg

INFORMATION

Finishes: Brass and Pewter.

Ready to be installed, installation required.

Wall mount screws not included.

DIMENSIONS

Ceiling rose diameter: 21 cm / 8.2"

Ceiling rose height: 3.7 cm / 1.5"

INDUSTVILLE