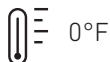
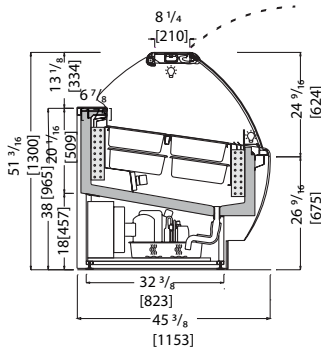




Gelato Showcase

Tempered lift-up front glass with pyrolytic anti-fog treatment | lateral sides in heated laminated glass with aesthetic screen-printing | silver aluminium profiles | operator side closure with rolling curtain | tank insulated with ecological polyurethane and covered in stainless steel | ventilated refrigeration | reverse cycle defrost | electronic control unit and digital temperature reader flush with the worktop | worktop in polished steel | pre-arrangement for pans dim. $14 \frac{3}{16} \times 6 \frac{1}{2} \times 4 \frac{3}{4}$ [360x165x120] not supplied | backlit ice cream flavor tags | supporting frame in galvanized steel with stainless steel feet





Technical



- Ventilated
- R452A
- 1 / SemiHermetic
- Led no-spot 3000°K
- Automatic/reverse cycle
- N.4 / RH 55% max 75°F
- 220 V / 3 ph / 60 Hz+N
- 0°F

Data Sheet *Measurements are subject to revisions/updates, please refer to manufacturer's drawings at order confirmation *Crate weight only

Model Code	Dimensions L x D x H Inches	Weight Lbs	Max Pwr. Consumption W / A	Avg Operating Consumption KW/H	Cooling Power/Expansion BTU/F	GAS Type
 AMKINGEL121 360x165x120mm 360x250x80mm	43 11/16x45 1/8x51 3/16	529	1950/5,2	0,8	2730 / -32.8	R452A
	50 13/16x52 3/16x62 5/8 309					
 AMKINGEL181 360x165x120mm 360x250x80mm	63 3/8x45 1/8x51 3/16	661	3030/8,4	1,3	3856 / -32.8	R452A
	70 1/2x52 3/16x62 5/8 419					
 AMKINGEL241 360x165x120mm 360x250x80mm	82 15/16x45 1/8x51 3/16	838	3620/9,4	1,7	4913 / -32.8	R452A
	90 x52 3/16x62 5/8 540					
 AMKINGEL12+121 360x165x120mm 360x250x80mm	82 15/16x45 1/8x51 3/16	882	3700/9,4	1,7	2730+2730 / -32.8	R452A
	90x52 3/16x62 5/8 540					

Optionals:

- CIV5-7
s/s trays for ice-cream cakes
- GSG01
Stick ice-cream rack
- GSG02
Perspex pan
- CIV63
s/s pan mm. 360x250x80H
- CIV56
s/s dipper well
- PASPRA
Converter device from 0°F to 39.2°F
- CIT46
Remote assistance
- CIM08
Kit wheels
- CIV55
Cone holder (6 cylinders)