



## COLORS



## FINISHING



## FEATURES



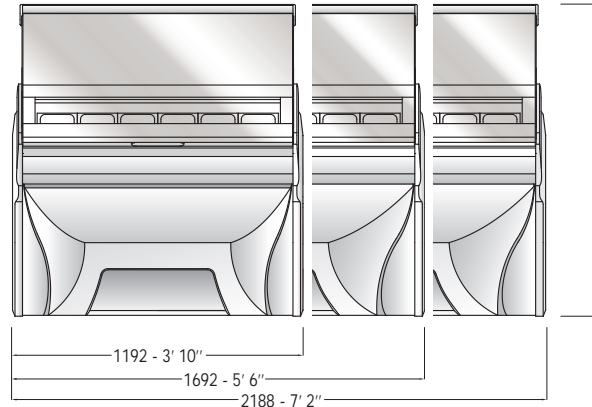
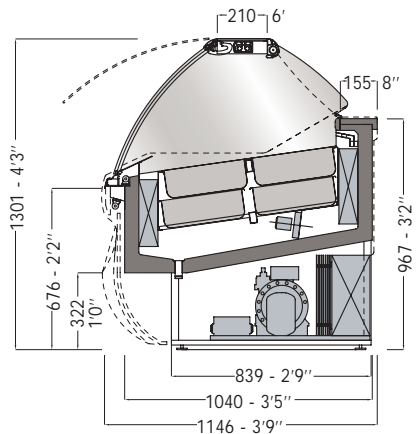
## KEY FEATURE

**High performances:** double evaporator / automatic reverse cycle defrost / Pirolytic front glass with pistons assisted lift-up opening system | **Visibility:** extraordinary enhancement of displayed products | **Customizable:** great possibility to customize front and side panel | **Storage on display**

Tubular structure in painted s/s | Molded heat-insulated tank with rounded internal edges coated by AISI 304 s/s | Pre-arrangement for of It. 5,2 s/s pans dim. mm.360x165x120h (not included) with storage | S/s flavour labels with back-lighting | Fan ventilated | refrigeration system with double finned evaporator | Automatic reverse defrost cycle | Digital control panel | Brushed s/s working top | Tempered lift-up front glass with pyrolytic anti-fog treatment | Glass sides with aesthetic anti-fog warming system | Silver aluminium profiles | Operator side closure with self-rolling curtain

# AMIKA IN GELATO

## SECTIONS AND MODELS



**AMIKA IN - GELATO**



TECHNICAL FEATURE	VERSIONS				
		1100	1610	2106	2106 Double Temp.
External dimensions (L-D-H)	inches mm	47" - 41 1/8" - 38" 1192 - 1046 - 967	66 2/3" - 41 1/8" - 38" 1692 - 1046 - 967	86 1/2" - 41 1/8" - 38" 2188 - 1046 - 967	86 1/2" - 41 1/8" - 38" 2188 - 1046 - 967
Crated dimensions (L-D-H)	inches mm	54 1/3" - 52" - 61" 1380-1320-1550	74" - 52" - 61" 1880-1320-1550	93" - 52" - 61" 2360-1320-1550	93" - 52" - 61" 2360-1320-1550
Pans layout 5,2 Lt / mm.360x165x120h 14 1/8" - 6 1/2" - 4 3/4"	flavors nr. / configuration	12	18	24	24 (12+12)
Pans layout 5,2 Lt / mm.360x250x80h 14 1/8" - 10" - 3 1/8"	flavors nr. / configuration	8	12	16	16 (8+8)
Refrigeration	Type	Fan Ventilated	Fan Ventilated	Fan Ventilated	Fan Ventilated
Refrigerated display area	Type	Deck	Deck	Deck	Deck
Operating temperature	°C / °F	-18 / -0.4	-18 / -0.4	-18 / -0.4	-18 / -0.4
Compressor	nr. / Type	1 / semihermetic	1 / semihermetic	1 / semihermetic	2 / semihermetic
Cooling power *	(W)	800	1130	1440	800+800
Electric supply	(V/ph/Hz)	400/3/50+N (UE) 230-208/3/60 (USA)	400/3/50+N (UE) 230-208/3/60 (USA)	400/3/50+N (UE) 230-208/3/60 (USA)	400/3/50+N (UE) 230-208/3/60 (USA)
Power consumption	(W/A)	1950/5,2	3030/8,4	3620/9,4	3700/9,4
Defrost	Mode / type	reverse cycle	reverse cycle	reverse cycle	reverse cycle
Climatic class	N°/°C(F°)/H.R.	4+/35(95)/70%	4+/35(95)/70%	4+/35(95)/70%	4+/35(95)/70%
Refrigerant Gas	Type	R452A	R452A	R452A	R452A
Net weight	Kg / Lb	245 / 540	312 / 687	390 / 359	405 / 892
Crated weight	Kg / Lb	355 / 782	462 / 1081	575 / 1267	590 / 1300

\* At -36°C of expansion

The company reserves the right to make modifications to the products without prior notice.

CIAM s.p.a. | Viale dei Pini 9 | 06081 | Petignano di Assisi | PG - Italy | Tel: 0039 07580161  
web: www.ciamweb.it | mail: info@ciamgroup.it

2017 / v1.0

### STANDARD FEATURE

- Front and side heated glasses
- Reverse cycle defrost
- Semihermetic compressor
- Self rolling curtain

### OPTIONAL

- Dual temperature switch (-18°C / +5°C) (-0.4F / +41°F)
- S/s display trays for cakes
- S/s pans dim. mm360x165x120h
- S/s pans dim. mm360x250x80h
- Remote condensing unit
- Dipper well
- Cone holder
- Wheels kit

# AMIKA IN



**CIAM**  
REFRIGERATION DESIGN

Distributed By  
**AG** ADVANCED GOURMET  
IN THE USA