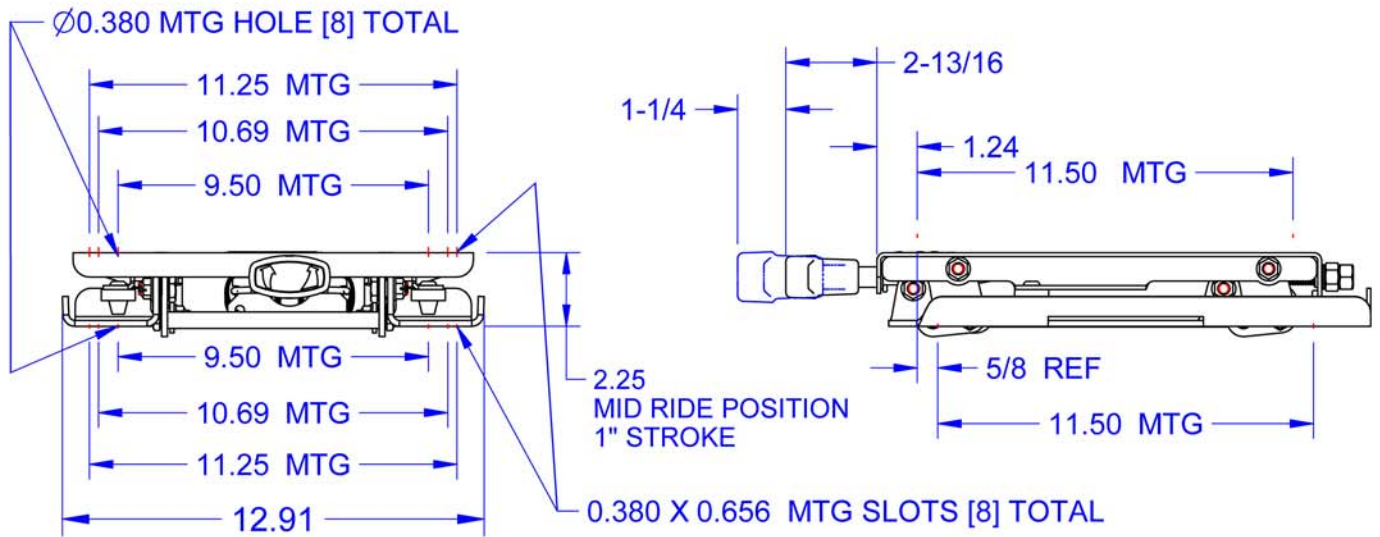




Ultra Low Profile Suspension



NOTE: The Installer is solely responsible for determining the suitability for use of this product in each application. This drawing is for reference purposes only.