
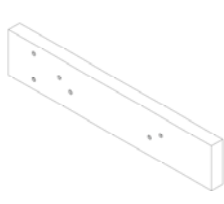











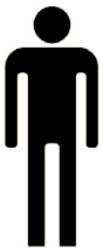


Component parts and fittings contained in the box

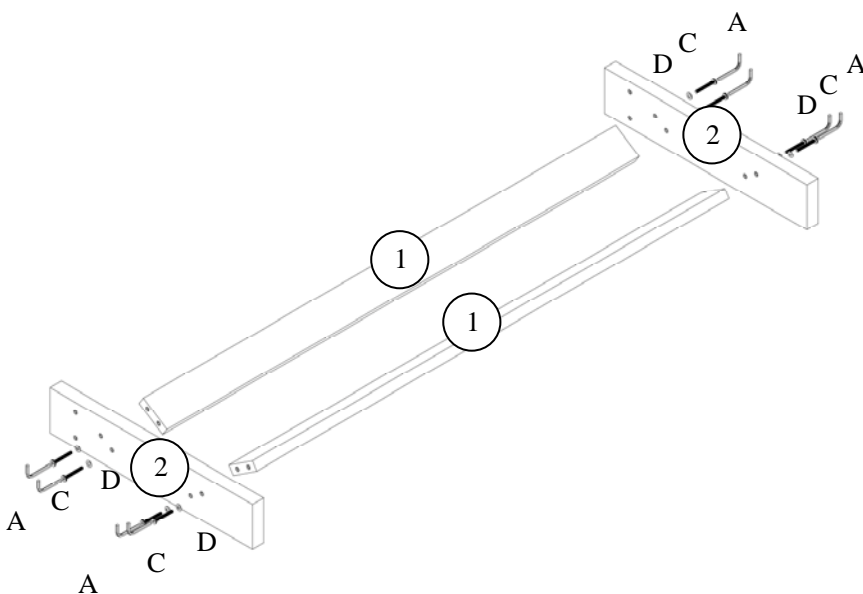
<p>1</p>  <p>2pc</p>		<p>2</p>  <p>2pc</p>		<p>3</p>  <p>2pc</p>		<p>4</p>  <p>1pc</p>		<p>5</p>  <p>6pc</p>	
<p>A</p>  <p>1pcs</p>	<p>B</p>  <p>4pcs</p>	<p>C</p>  <p>24pcs</p>	<p>D</p>  <p>24pcs</p>	<p>E</p>  <p>8pcs</p>	<p>F</p>  <p>4pcs</p>	<p>G</p>  <p>12pcs</p>	<p>H</p>  <p>4pcs</p>		



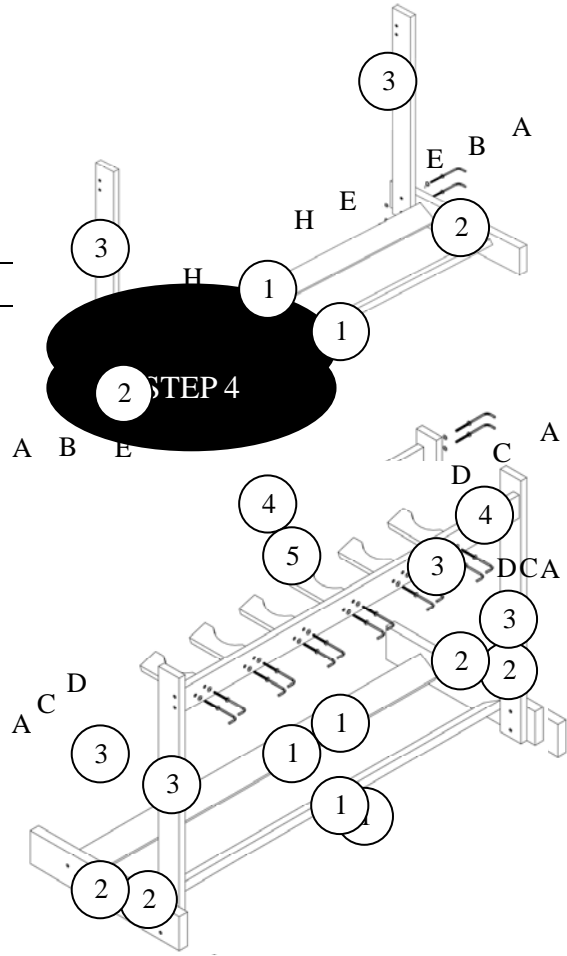
ONE PEOPLE NEEDED TO ASSEMBLE THIS FRAME
If screw (C) does not screw in easily you might need to use a flat head screw driver to adjust the nut that has been inserted on the attaching pc. to line up with the screw.

ASSEMBLY INSTRUCTIONS

STEP 1

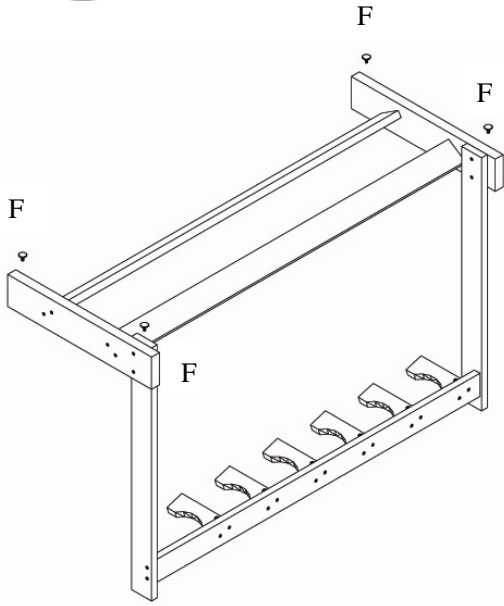


STEP 2



Large washer E must be used or you will risk damage to the stand

STEP 5



STEP 6

