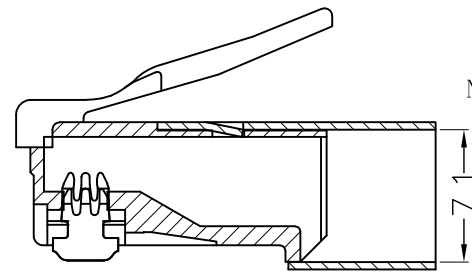
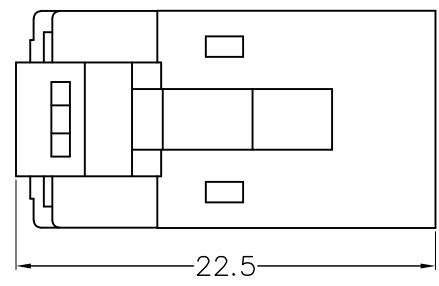


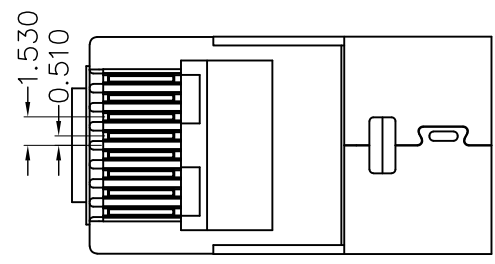
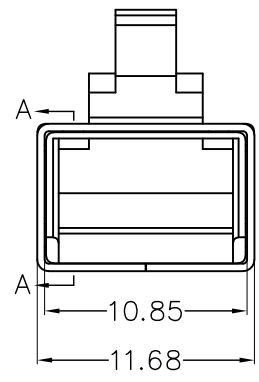
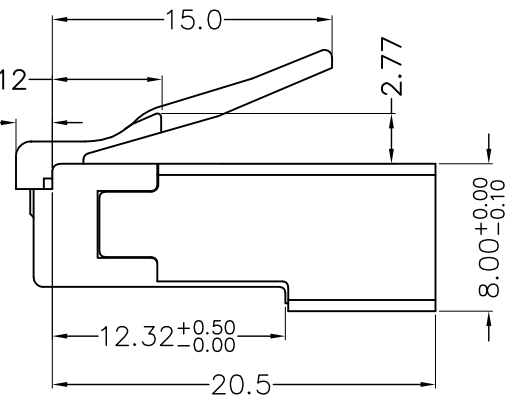
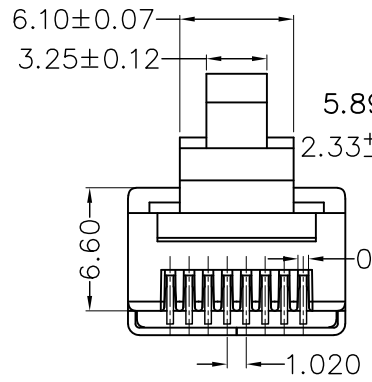
CHANGE			
EDITI	MODIFICATION	UPDATE DATE	SIGNATURE
A/0	FIRST ISSUE	2017. 08. 01	LZW



SECTION A-A

NOTES:

1. Operation Temperature: $-40^{\circ}\text{C} \sim +85^{\circ}\text{C}$.
2. Electrical Characteristics:
 - 2.1>Rated Current: 125V AC, 1.5A@25°C.
 - 2.2>Contact Resistance: 20mΩ Max.
 - 2.3>Insulation Resistance: 500MΩ Min, 100V DC/min.
 - 2.4>Voltage Proof: 1000V AC/1 minute no breakdown.
3. Mechanical Characteristics:
 - 3.1>Insertion Force & Withdrawal Force: 30N Max.
 - 3.2>Durability: 750 cycles Min.
4. Environmental compliance:
 - 4.1>the products are compliant with the RoHS, and REACH etc.
 - 4.2>The products complies with IEC60603-7 standard specifications.



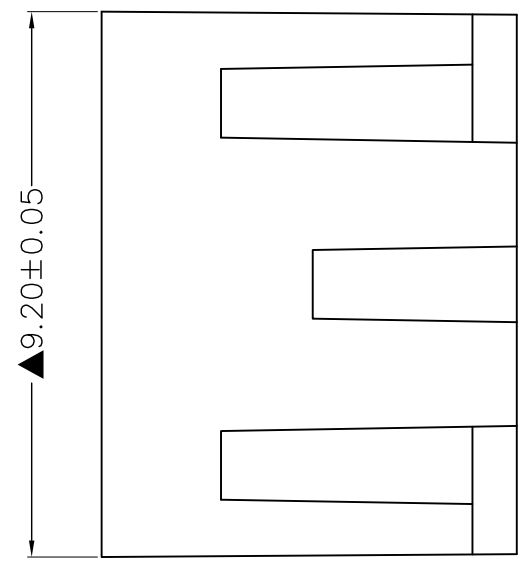
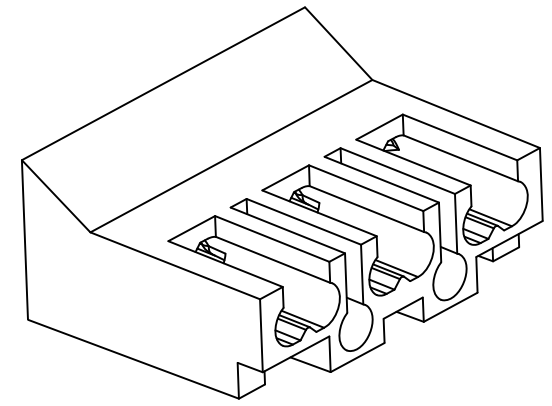
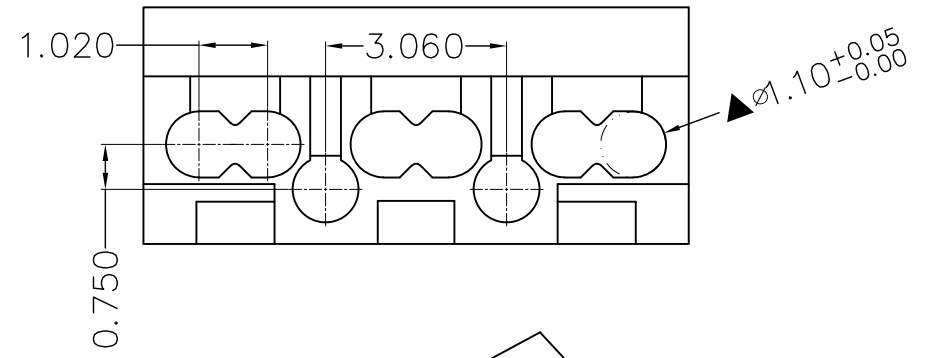
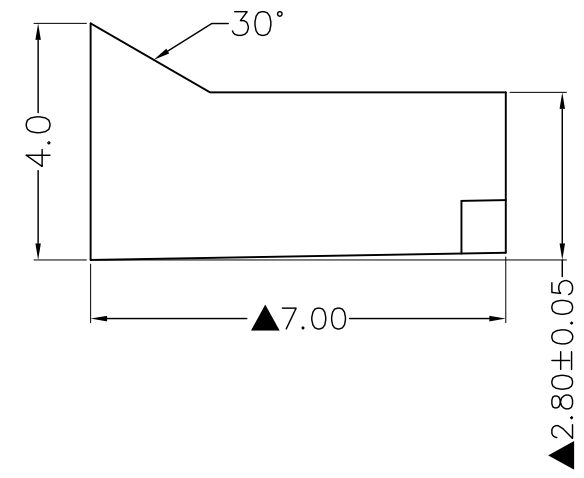
1	Modular Plug	Shell	1PCS	43*40**10	Square hole	Au: G/F" <input type="checkbox"/> 1u" <input type="checkbox"/> 3u" <input type="checkbox"/> Ni: 80u" <input checked="" type="checkbox"/>	Brass <input checked="" type="checkbox"/>	Spec <input type="checkbox"/>
		Contacts	8PCS	/	2叉 <input type="checkbox"/> 2Prongs 3叉 <input checked="" type="checkbox"/> 3Prongs	G/F" <input type="checkbox"/> 1u" <input type="checkbox"/> 3u" <input checked="" type="checkbox"/> 6u" <input type="checkbox"/> 15u" <input type="checkbox"/> 30u" <input type="checkbox"/> 50u" <input type="checkbox"/> OTHER <input type="checkbox"/>	Brass <input checked="" type="checkbox"/>	
		Housing	1PCS	21*0467**	FTP HOUSING/LONG TYPE/6UP2DOWN		94V-2 <input checked="" type="checkbox"/> 94V-0 <input type="checkbox"/>	
NO.	NAME	QTY	PART NO.	DESCRIPTION			MATERIAL	

iVoltaa Voltaa Global									
PRODUCT NO	IVR45-SH7-P1		DESCRIPTION			RJ45 Connectors Shielded Cat7		SHEET.	1/1
MATERIAL	/	UNIT	mm	SCALE	1:1	DWG NO	MP31008	EDITI	A/0
DIMENSIONAL TOLERANCE			THIRD ANGLE PROJECTION			DRAWN	LIUZHIWEN	DATE	2017. 08. 01
X. X ±0.2 X. XX ±0.10 X. XXX ±0.05 ANGLE ±2°						CHECK	LAMPE	DATE	2017. 08. 01
						APPRO.	LIAOGUOZHONG	DATE	2017. 08. 01

CHANGE			
EDITI	MODIFICATION	UPDATE DATE	SIGNATURE
A/0	ISSUE	2023.01.10	JING_LI

30*0462**

SERIAL NUMBER
MATERIAL



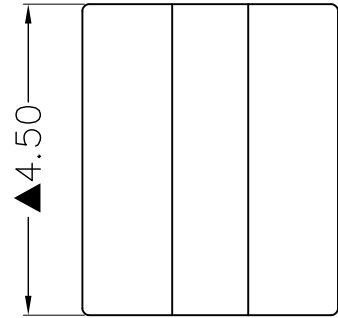
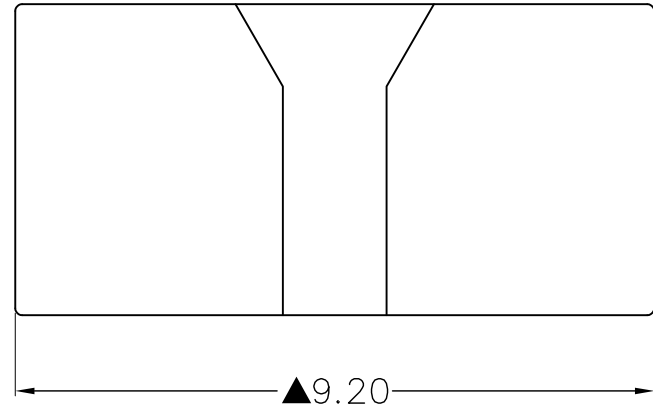
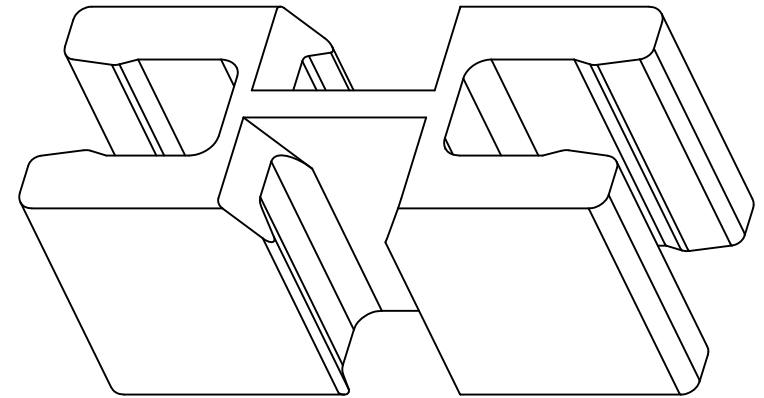
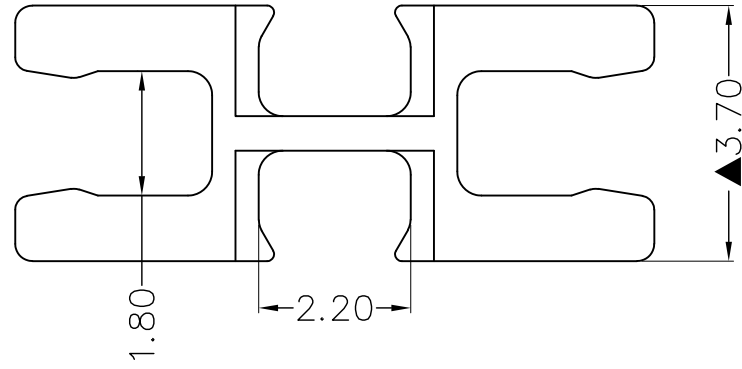
REMARK:
KEY CONTROL DIMENSIONS MARKED "▲"
IN THE DRAWING.

iVoltaa Voltaa Global									
PRODUCT NO	30*0462**		DESCRIPTION	6UP 2DOWN Load Bar $\phi 1.10$			SHEET	1/1	
MATERIAL	PC	UNIT	mm	SCALE	NULL	DWG NO	LB04008	EDITI	A/0
DIMENSIONAL TOLERANCE			THIRD ANGLE PROJECTION			DRAWN	JING_LI	DATE	2017.05.05
X.X ±0.2 X.XX ±0.10 X.XXX ±0.05 ANGLE ±2°						CHECK	LAMPE	DATE	2017.05.05
						APPRO.	Liaoguozhong	DATE	2017.05.05


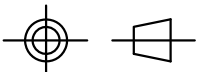
CHANGE			
EDITI	MODIFICATION	UPDATE DATE	SIGNATURE

31*0000**

SERIAL NUMBER
MATERIAL



REMARK:
KEY CONTROL DIMENSIONS MARKED "▲" IN THE
DRAWING.

 iVoltaa Voltaa Global										
PRODUCT NO	31*0000**		DESCRIPTION			Line Frame		SHEET.	1/1	
MATERIAL	PC	UNIT	mm	SCALE	NULL	DWG NO	LF00001	EDITI	A/0	
DIMENSIONAL TOLERANCE			THIRD ANGLE PROJECTION			DRAWN	JING_LI	DATE	2017.05.05	
X.X ±0.2 X.XX ±0.10 X.XXX ±0.05 ANGLE ±2°						CHECK	LAMPE	DATE	2017.08.01	
						APPRO.	Liaoguzhong	DATE	2017.08.01	