

REATHLETE

FOLD

Maintenance

The battery in this device is not designed to be removed or exchanged by the user. If any problems with the power supply occur, please contact us directly.

Do not try to open the device, repair it or fix it by taking the device apart yourself. Tampering with the devices mechanics in any way will result in automatic expiration of the product's warranty.

Warnings and Safety Cautions

Before connecting the device to the power supply, please ensure that the supply voltage stated on the rating plate is compatible with the unit.

The device should only be used with the provided, certified, REATHLETE charger.

Please charge the new batteries before first use.

Do not submerge the device in water or any other liquid.

Do not use the device for more than 30 minutes at a time. Wait 5 minutes prior to using the device again, following a 30-minute session with the device.

Do not apply to your head or near your genitals.

Do not use the device to supplement or replace any medical treatment. Please consult your physician before use if you are experiencing unexplained pain, if you're receiving medical treatment, or using medical equipment.

DISCLAIMER

Please contact your physician before using the REATHLETE DEEP4s if you have any physical health concerns or have any of the following conditions: pregnancy, diabetes, epilepsy, migraines, herniated disks, spondylolisthesis, recent joint replacements or IUDs, Please also contact your physician before use if you have undergone recent surgery or have any metal pins or plates in your body.



Contact us:

www.reathlete.com
support@reathlete.com

155 Office Plaza Drive
Tallahassee, Florida USA 32301

REATHLETE

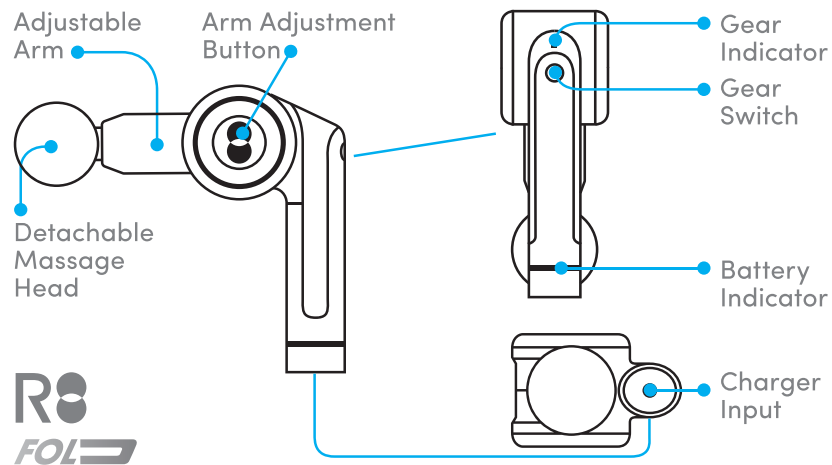


User Manual

FOLD

Folding Percussive Massager





Turn the machine ON/OFF

Press the switch button for a period of 1 to 2 seconds until the first light of the gear indicator lights up, and the massager is ready to use. To turn off, press the switch button again for 1 to 2 seconds, the massager will shut down and all functions will stop working.

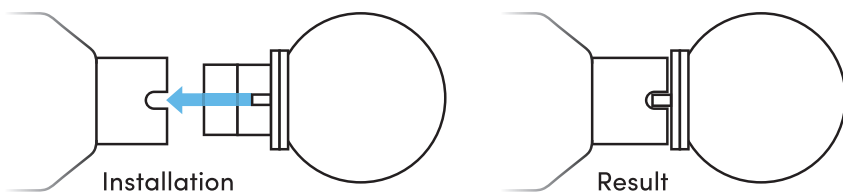
When the massager is at 0° (adjustable arm is folded), it will automatically shut down within 3 minutes. To turn it on again, press the switch button as previously indicated.

Changing percussion massage frequency

When the massager is on, the first light of the gear indicator is on, and the motor is running at low frequency. Lightly press the gear switch button to gradually increase the frequency up to four speed levels.

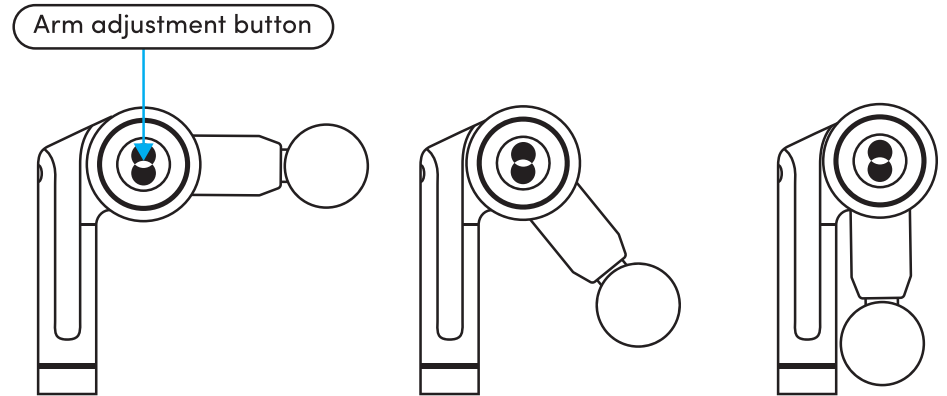
Attaching the massage head

Before attaching the massage head, turn off the massager. Insert the attachment with the tongue side fitting the groove side on the machine.



Adjusting the angle of the massage arm

Turn off the machine. Press the massage arm adjustment button and start adjusting the angle of the massage arm to one of three positions available: 0°, 45°, 90°. Release the adjustment button. The arm will lock in as soon as you reach the desired position.



Battery display

The battery indicator is Green when the battery is charged between 60%-100%. When under 60%, the light turns Yellow and then red when the battery has less than 30% charge remaining. Battery indicator will flash red repeatedly when at 10% or less. The motor will stop working under 10% battery.

Charging

When connected to the power supply for charging, the battery indicator turns blue, and will pulse cyclically from strong to weak for 2-3 seconds. When fully charged, the battery indicator will stop flashing and the blue light will stay lit.

Technical details:

Massager

No-load speed	1400 – 3000 r/min
Power	120W Max
Frequency	23Hz – 54Hz
Stroke length	12mm / 0.47"
Weight	0.98 kg / 2.16 lb
Dimensions	22x12.4x8.4cm / 8.6"x4.8"x3.3"

AC Charger

Rated input: 100-240V
~50/60Hz, 39W
Rated output: 17.5V / 1.5A

Battery

2000mAh Li-ion Battery
Rated Voltage: 16V DC
Operation time: up to 4.5 hours
Charging time: 90 minutes