

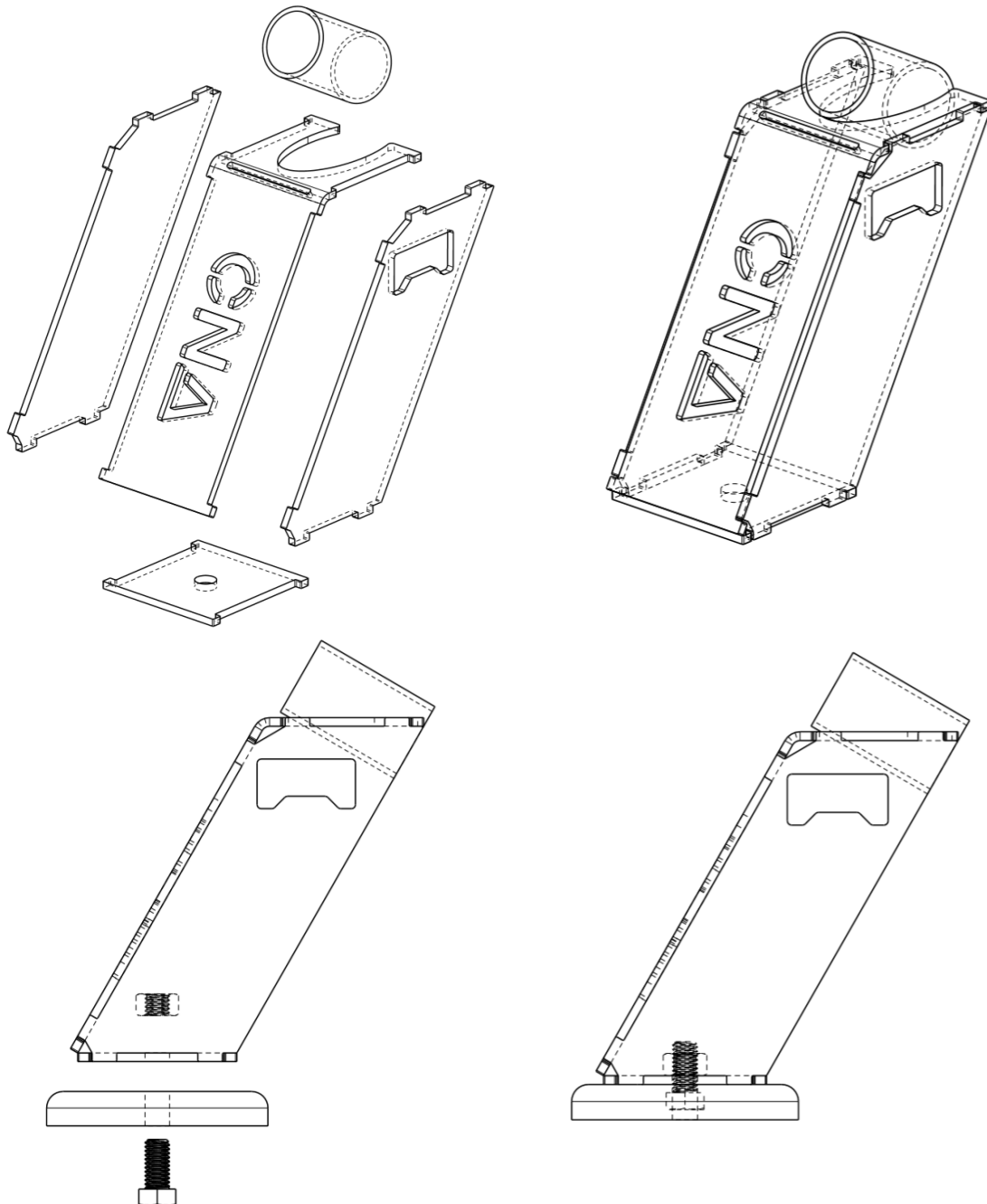
CNA

FABRICATION

@CNAFABRICATION ON INSTAGRAM

WWW.CNAFABRICATION.COM

ASSEMBLY INSTRUCTIONS FOR MIG GUN HOLDER

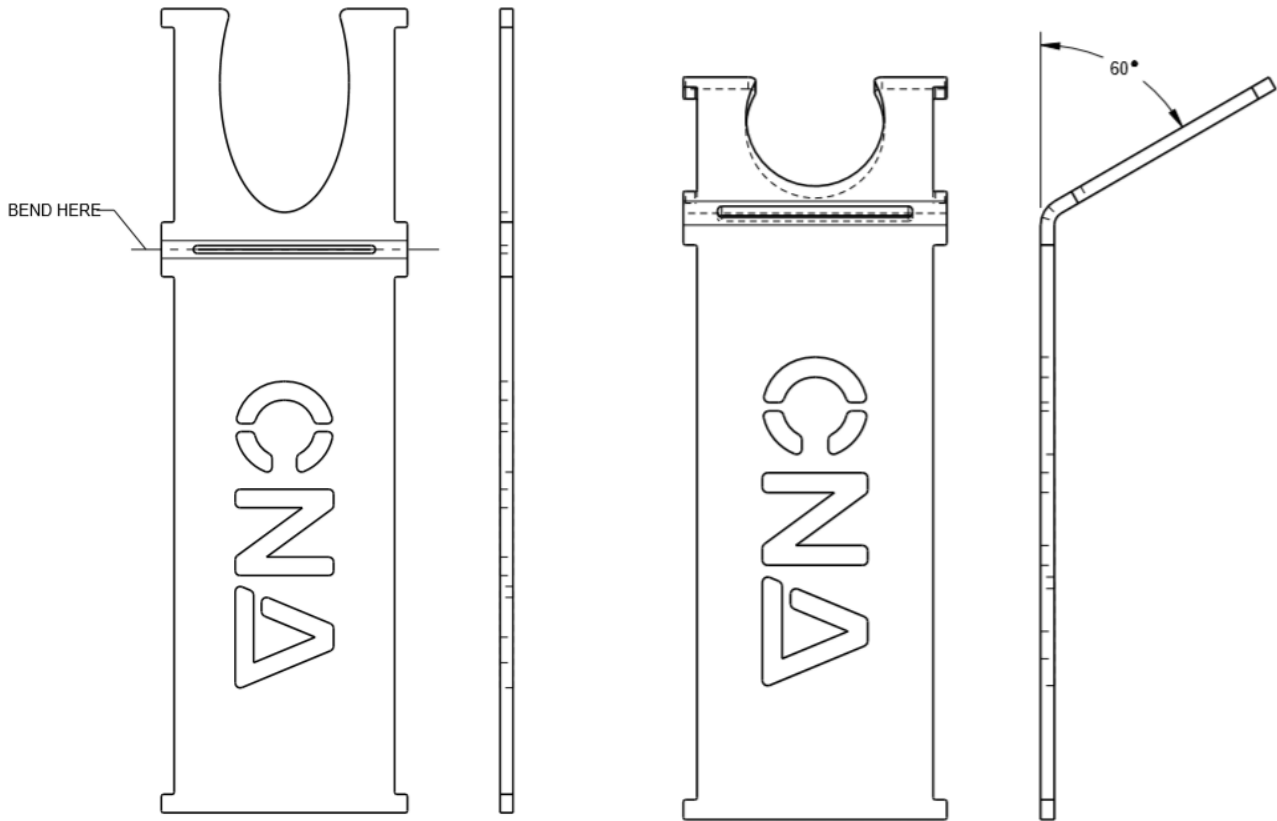


CNA

FABRICATION

@CNAFABRICATION ON INSTAGRAM

WWW.CNAFABRICATION.COM



NOTES

- If the bottle opener isn't performing as expected, try filing down the inside edge at an angle.

