

Step 1: Prior to assembly, carefully unpack all box contents. Check box contents to the detail below. Make sure all contents are accounted for. **If anything is missing, please contact INFINITY at 603-910-5000. Do not return to the place of purchase.**

Before assembling your chair, watch an assembly video at: www.infinitymassagechairs.com/assembly-tutorials

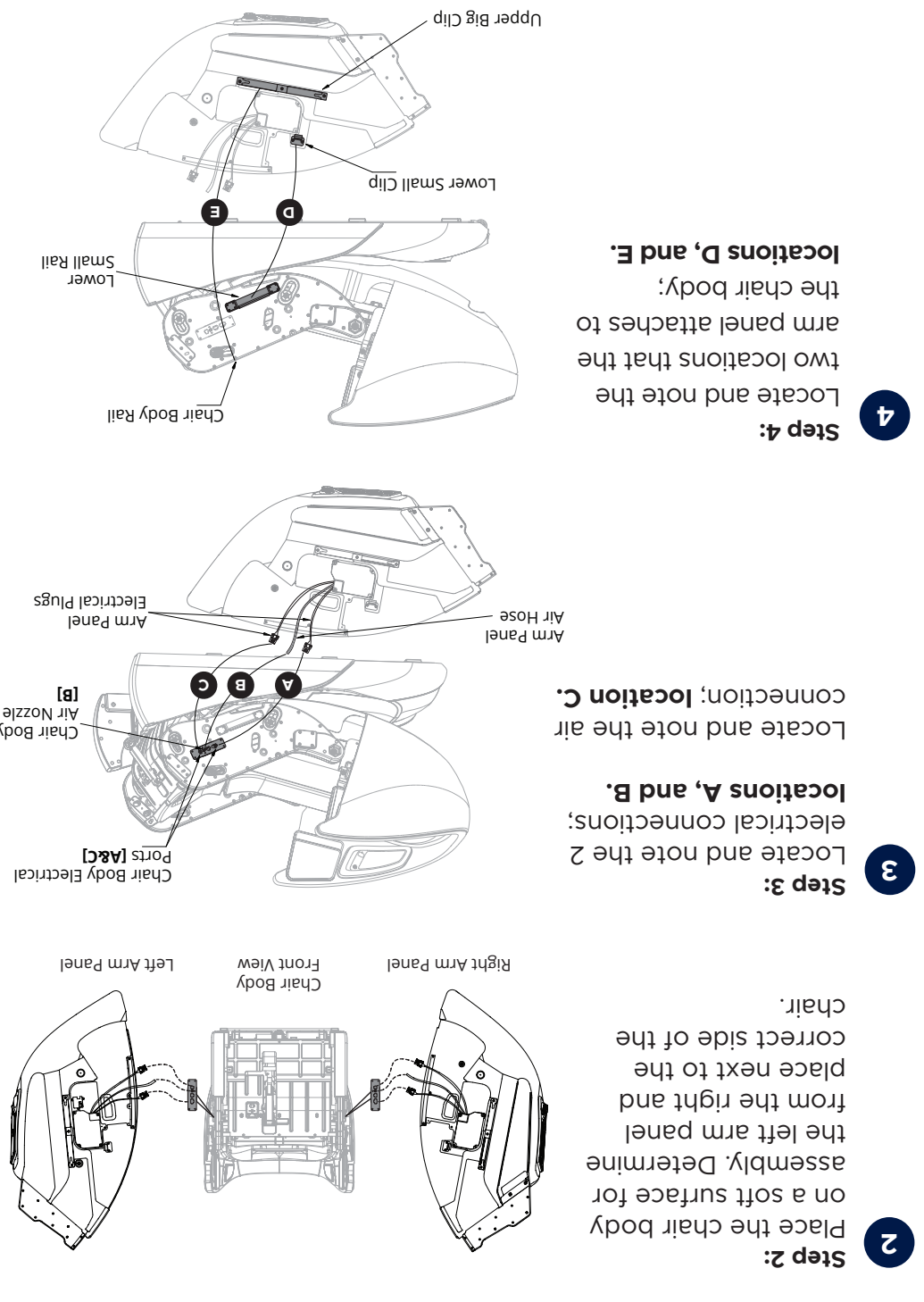
Alternatively, scan the QR code to go directly to the URL above.

SCAN CODE

INFINITY[®] MASSAGE CHAIRS

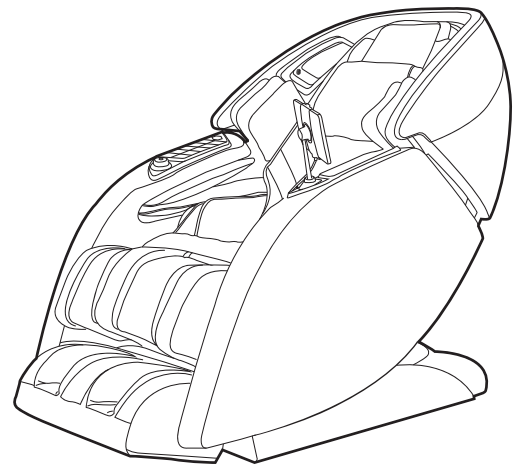
Assembly Guide

Luminary[™] Massage Chair



Final Check:

12 Step 12: Flip the Main power switch back **ON**. Your Luminary Syner-D[®] Massage Chair is now complete and ready to use. Either wake up the touch screen by tapping on it and then hit POWER or simply long press the POWER button on the quick access panel.



Power on the remote and select AUTO program to start a session.

Review chair for smooth operation. If things are not operating correctly, review all assembly steps. Call Infinity support at 1-603-910-5000 if you need live US-based support.

You are done; time for a Massage!

Register your product at www.infinitymassagechairs.com/warranty to ensure it is in our system. This will simplify the warranty process should you ever need it.

Alternatively, scan the QR code to go directly to the URL above.

SCAN CODE

INFINITY

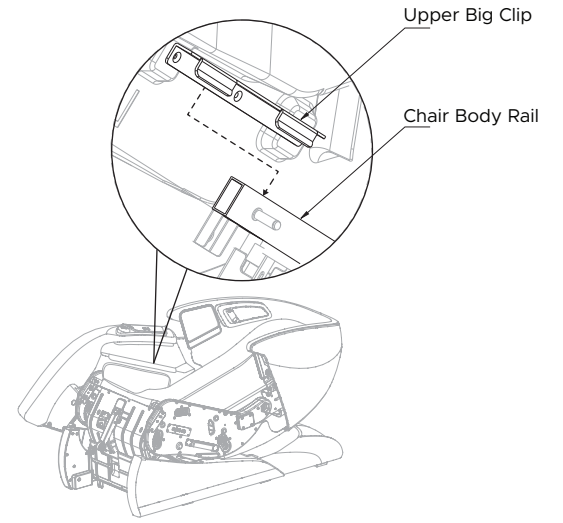
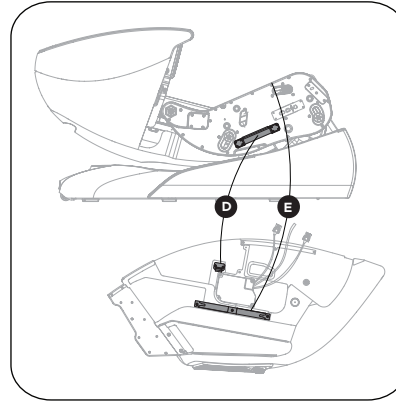
MASSAGE CHAIRS

5 Step 5:

Starting with the right arm panel, connect the arm panel electrical plugs to the chair body electrical ports; **locations A, and C**. Then attach the arm panel air hose to the chair body air nozzle; **location B**.

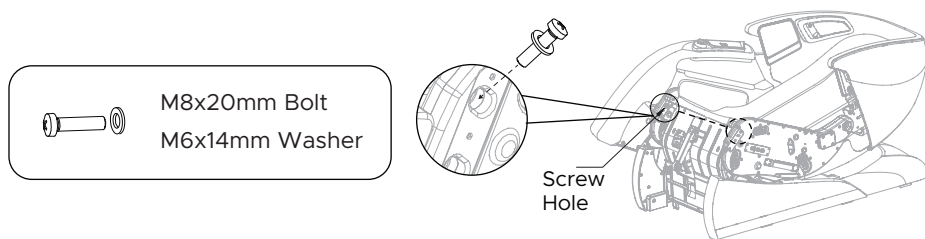
Next, carefully lift arm panel, then place the upper big clip on the chair body rail (**location E from step 4**) and the lower small clip on the lower small rail (**location D from step 4**). Make sure the air hoses and electrical wires remain connected and not pinched. Slide the arm panel back towards the chair body as far as it will go.

Step 4 Insert



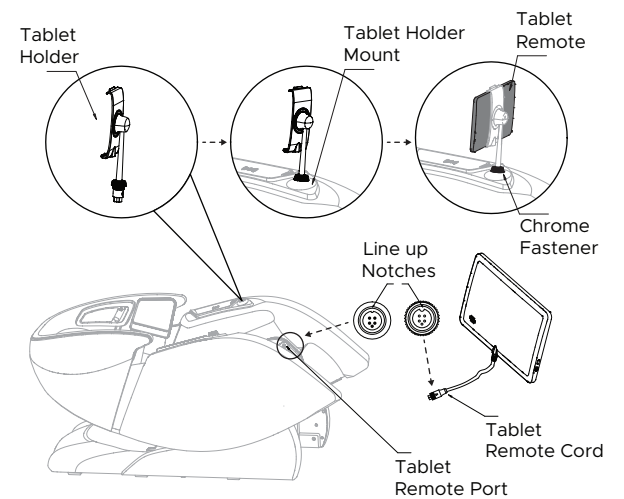
6 Step 6:

Locate the long, silver M8x20mm Bolt (2), M6x14mm Washer (2) and screw driver from the Accessory Box. Locate the two holes in the footwell. Insert the screw and washer into the top hole. Fasten this bolt and washer with the screw driver. **Repeat steps 5-7** with remaining arm panel.



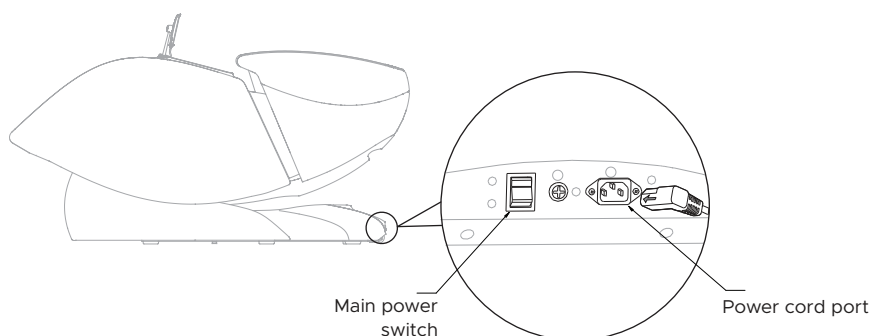
7 Step 7:

Locate the tablet holder from the accessory box. Place the tablet holder into the tablet holder mount, making sure to line up the bottom post of the tablet holder with the inside of the mount, screw down chrome fastener to secure. Place the tablet remote into the tablet holder. Connect the tablet remote cord to the tablet remote port, making sure the notches on either end line up.



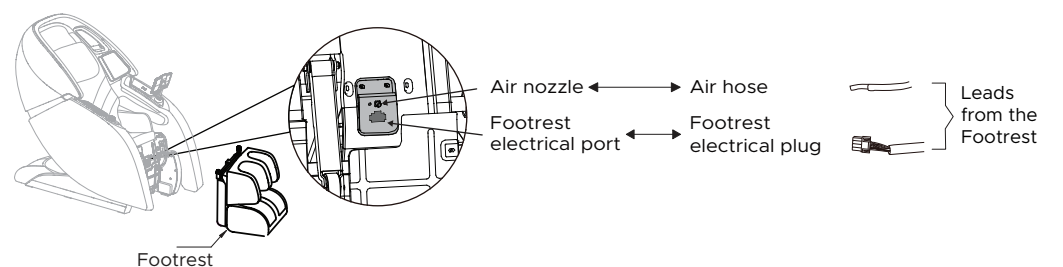
8 Step 8:

Connect the chair power cord to a grounded 110V electrical outlet and plug it into the respective port on the back side of the base of the chair. Flip the main power switch to on. Press the power button on the tablet remote to bring the chair into an upright position. Once chair is in upright position, and before continuing, **turn the main power switch off**.



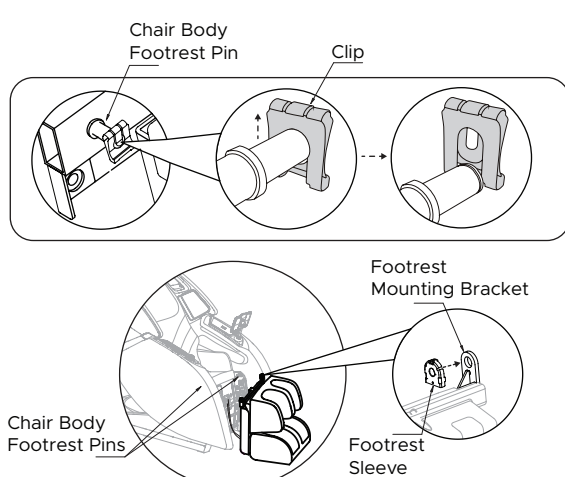
9 Step 9:

Remove the footrest from its packaging and position it in front of the main chair body. Connect the footrest electrical plug into the footrest electrical port. Ensure the thumb release is facing up and push in until it clips. Next, slide the air hose firmly onto the air nozzle.



10 Step 10:

Before attaching the footrest to the chair body, remove the clips on the chair body footrest pins by sliding up. (If Clips are missing, there are spare clips in the Accessory Box). Next, attach the footrest sleeves to the footrest mounting bracket as shown.



11 Step 11:

Lift the footrest and slide one side of the footrest mounting bracket completely onto the chair body pin. Fasten the clip over the pin to secure. Carefully align the other side of the mounting bracket with the remaining pin and slide it on too. Make sure to center the footrest, then fasten the remaining clip over the pin to secure both sides of the footrest.

