

# PHOTO FRAME

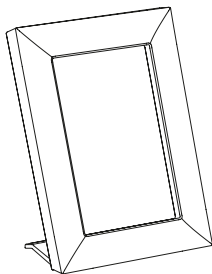
Robert Welch.

## Assembly instructions

### Included in the box:

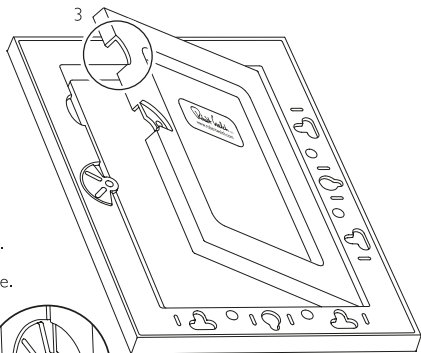
Frame

Foot



### To insert/replace a picture

- 1 Remove the foot if in position and place face down on a flat surface. Taking care not to scratch the front.
- 2 Rotate the disc on the back.
- 3 Using the hole highlighted open the back of the picture frame.
- 4 Insert the photo (ensure the photo is inserted in the correct orientation).
- 5 Reinsert the back of the picture frame.
- 6 Rotate the disc clockwise to lock the back plate in position.



2/6

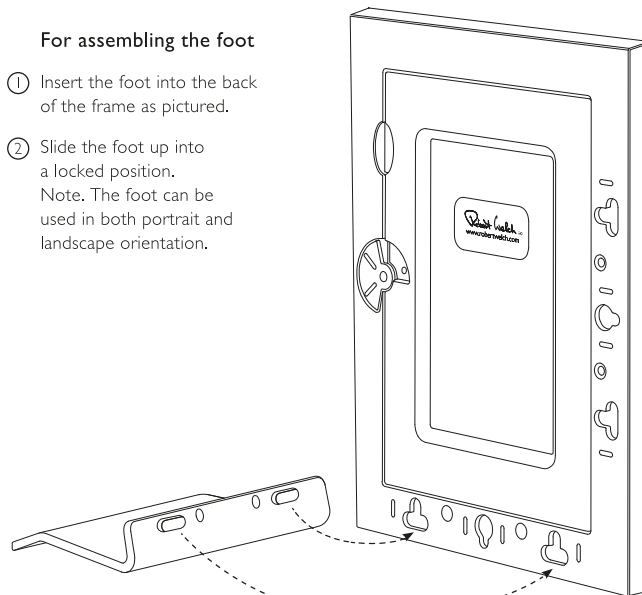
Please contact Robert Welch Designs if you have any queries:  
Lower High Street Chipping Campden Gloucestershire GL55 6DY UK.  
tel: + 44 (0)1386 840522  
email: [help@robertwelch.com](mailto:help@robertwelch.com)

[robertwelch.com](http://robertwelch.com)

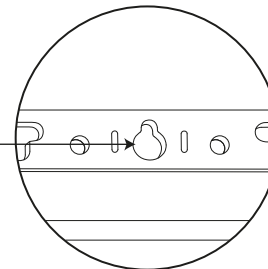
Products and trade marks of Robert Welch Designs Ltd are protected by patent, design and trade mark registrations.  
For full details, please visit [www.robertwelch.com/iprights](http://www.robertwelch.com/iprights)

### For assembling the foot

- 1 Insert the foot into the back of the frame as pictured.
- 2 Slide the foot up into a locked position.  
Note. The foot can be used in both portrait and landscape orientation.



Hole for wall mount.  
Place the frame over a suitable screw/nail using the hole indicated.



Published Date July 2018