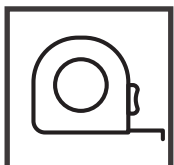


DOUBLE COLD FRAME INSTRUCTIONS

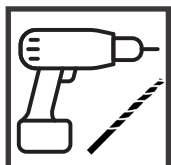
We recommend using the following tools (NOT SUPPLIED):



Tape Measure



Pozidrive Screwdriver



Drill & 2mm Drill Bit

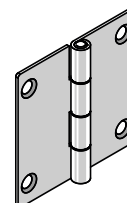
FIXING PACK CONTAINS:



4 x 50mm Screws
QTY: 10



4 x 25mm Screws
QTY: 16



Butt Hinges
QTY: 4

PLEASE KEEP PLASTIC BAGS AND SMALL PARTS AWAY FROM CHILDREN

IMPORTANT

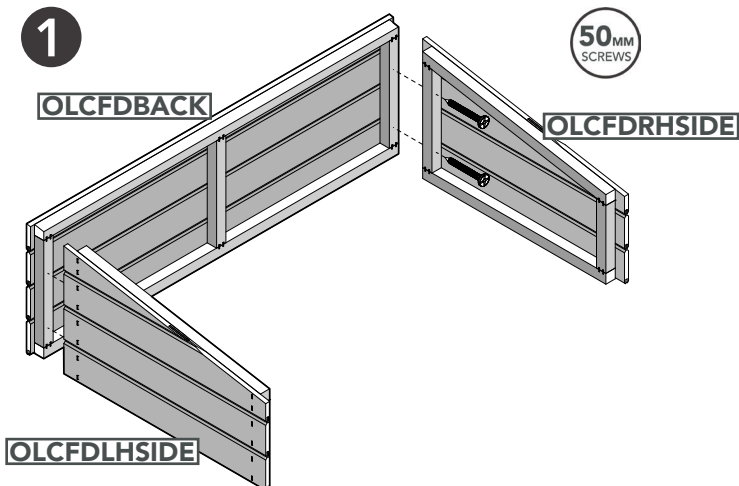
Assembly requires 2+ adults.



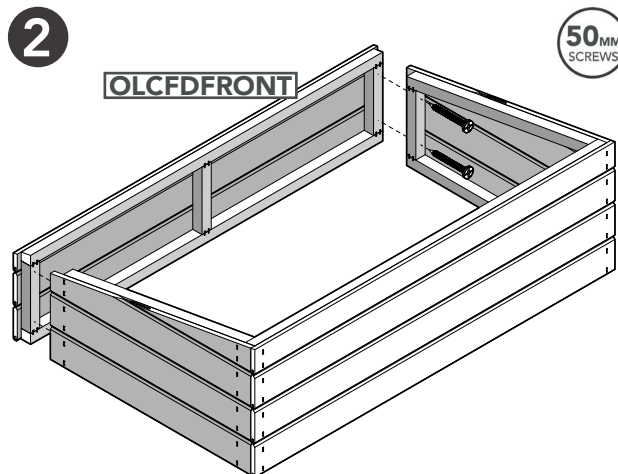
REMINDER

Always pre-drill before screwing.

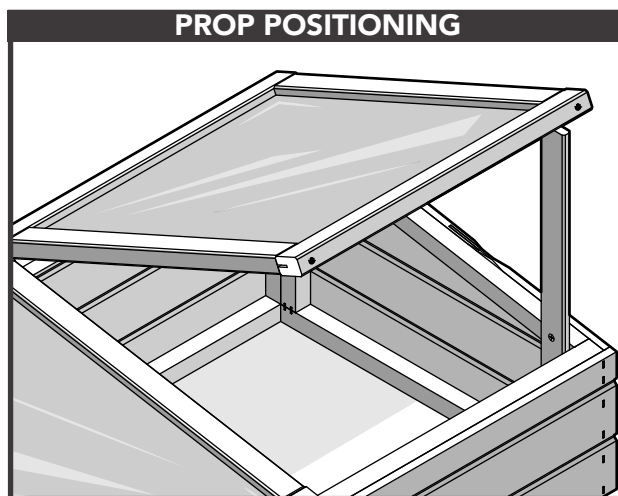
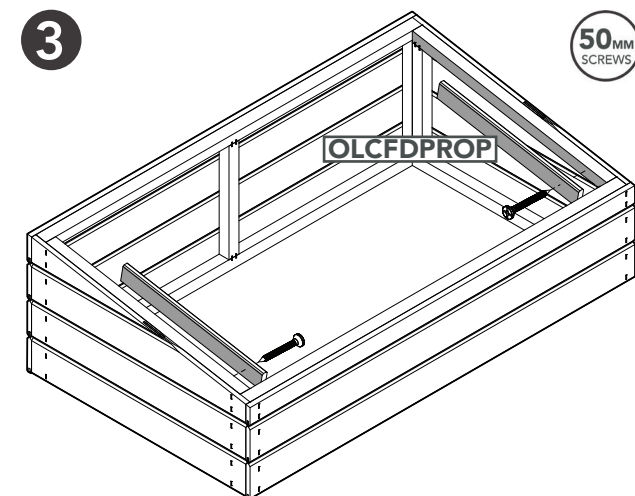
1



2



3



Missing Something?

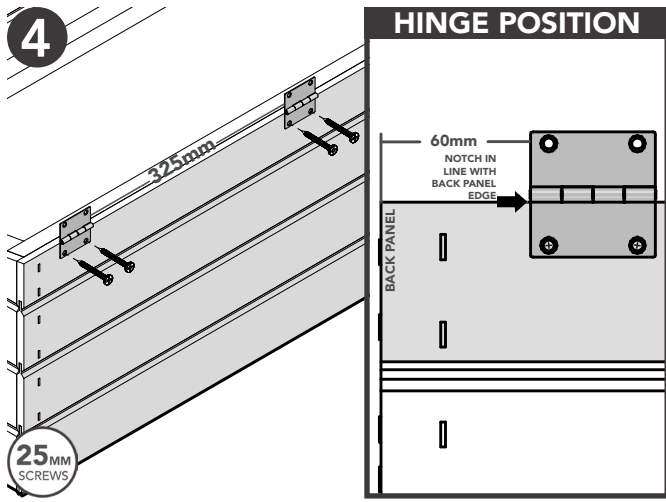
Call our aftersales team on
0333 777 7089

Need more information?

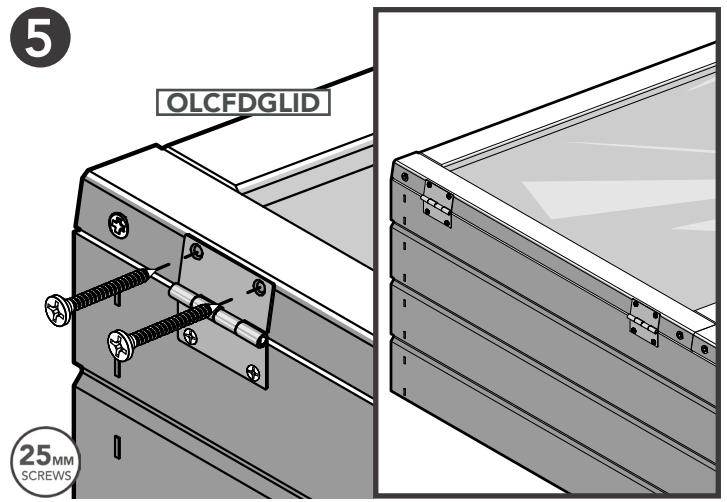
Call our technical team on
0333 321 3142

Visit our website for spare instructions and more information

www.forestgarden.co.uk



Position the first hinge 60mm from the back panel end and ensure the notch of the hinge is in line with the back panel edge. Secure into place and repeat the process for the other hinge, positioned 325mm from the first hinge.



Place the lid on top of the assembled panels and secure the hinge to the lids frame. Ensure the lid is flush to the side, front and back panels. Repeat this process for the other lid and hinges.

CHECK YOU HAVE ALL YOUR PARTS.

(The parts do not have codes on them. They are listed below should you need to order one.)

Double Cold Frame (OLCFD)		
Part Code	Description	No.
<i>OLCFDFRONT</i>	OLCFD Front Panel	1
<i>OLCFDRHSIDE</i>	OLCFD Right Hand Side Panel	1
<i>OLCFDLHSIDE</i>	OLCFD Left Hand Side Panel	1
<i>OLCFDBACK</i>	OLCFD Back Panel	1
<i>OLCFDGLID</i>	OLCFD Glazed Lid	2
<i>OLCFDPROP</i>	Prop 45x14x400mm	2

The components provided may be heavy. Please lift with caution and with a minimum of 2 people.



TREATED TIMBER CONTAINING A BIOCIDAL PRODUCT CONTROL OF WOOD DESTROYING ORGANISMS

Active Ingredients - Propiconazole, Tebuconazole, IPBC, Permethrine, Benzyl-C12-16-Alkyldimethyl Chlorides. (Dip Treated)
Basic Copper Carbonate, DDA Carbonate, DDA Chloride. (Pressure Treated)

Wear gloves when handling. Avoid inhalation of sawdust. Do not use in contact with drinking water or food. Do not use for animal bedding or in fish ponds. Dispose of treated wood responsibly.