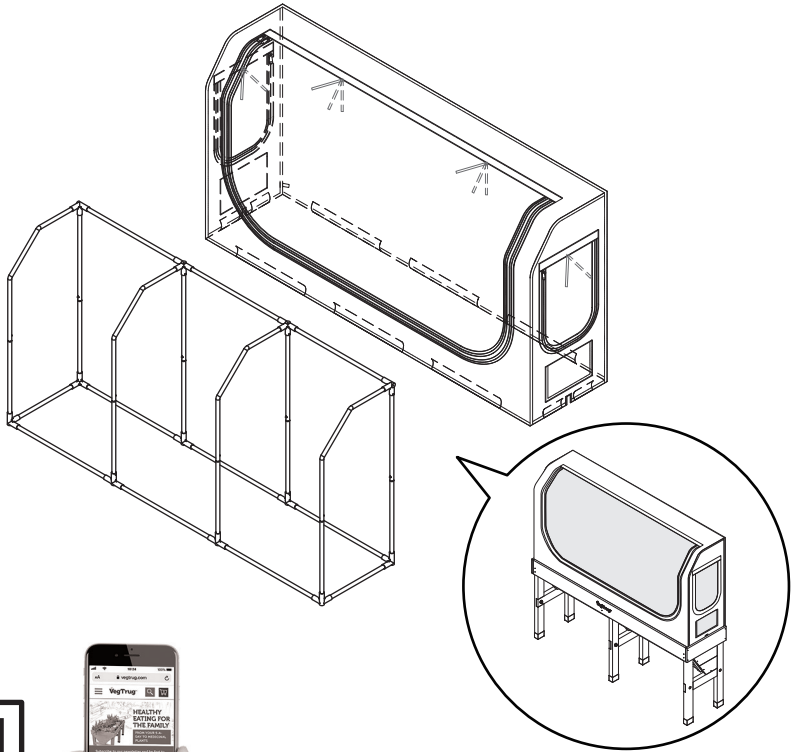
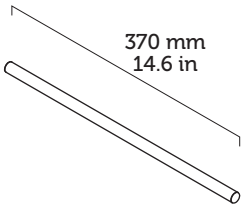
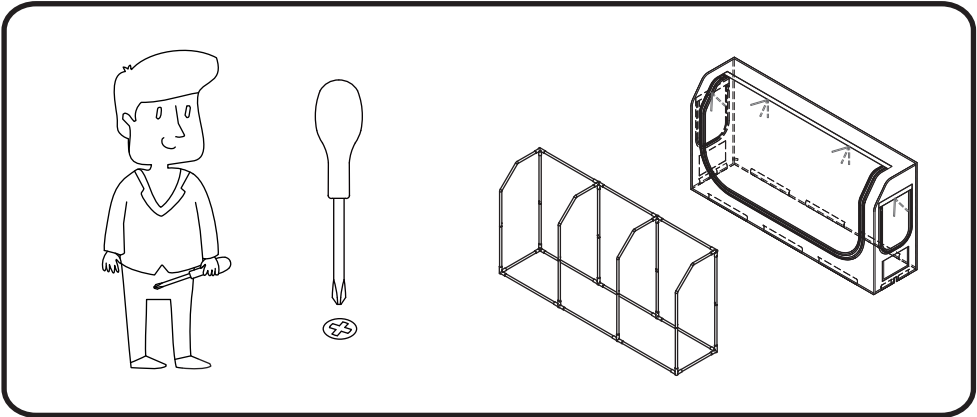


Wall Hugger Medium Greenhouse Multi Cover Kit

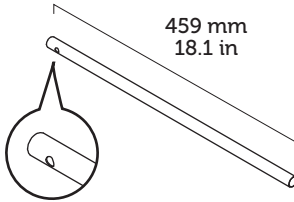


Visit www.vegtrug.com to see what you can grow

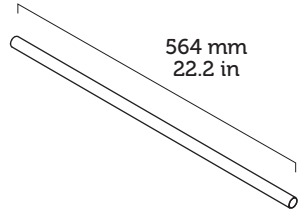
VegTrug[®]
See what you can grow



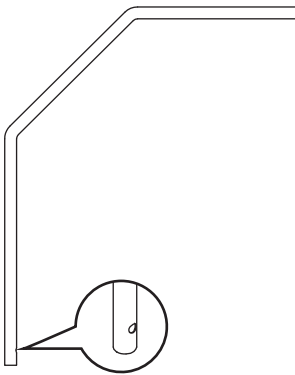
A x 2



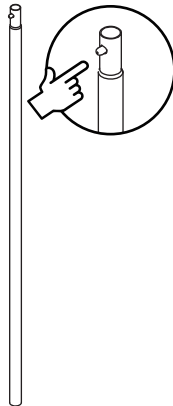
B x 4



C x 9



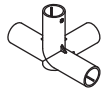
D x 4



E x 8



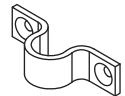
F x 4



G x 2



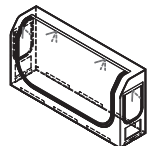
H x 6



I x 2

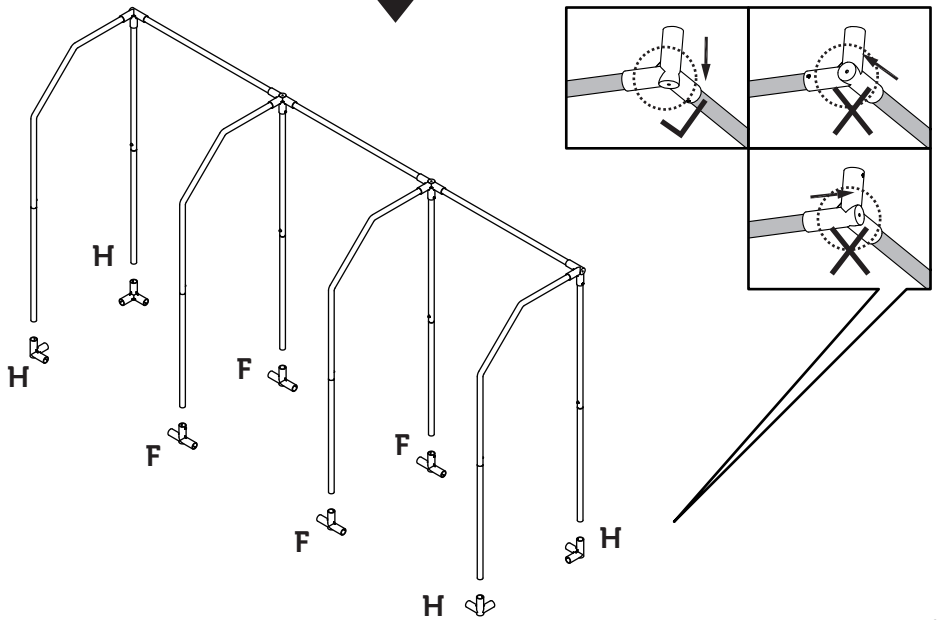
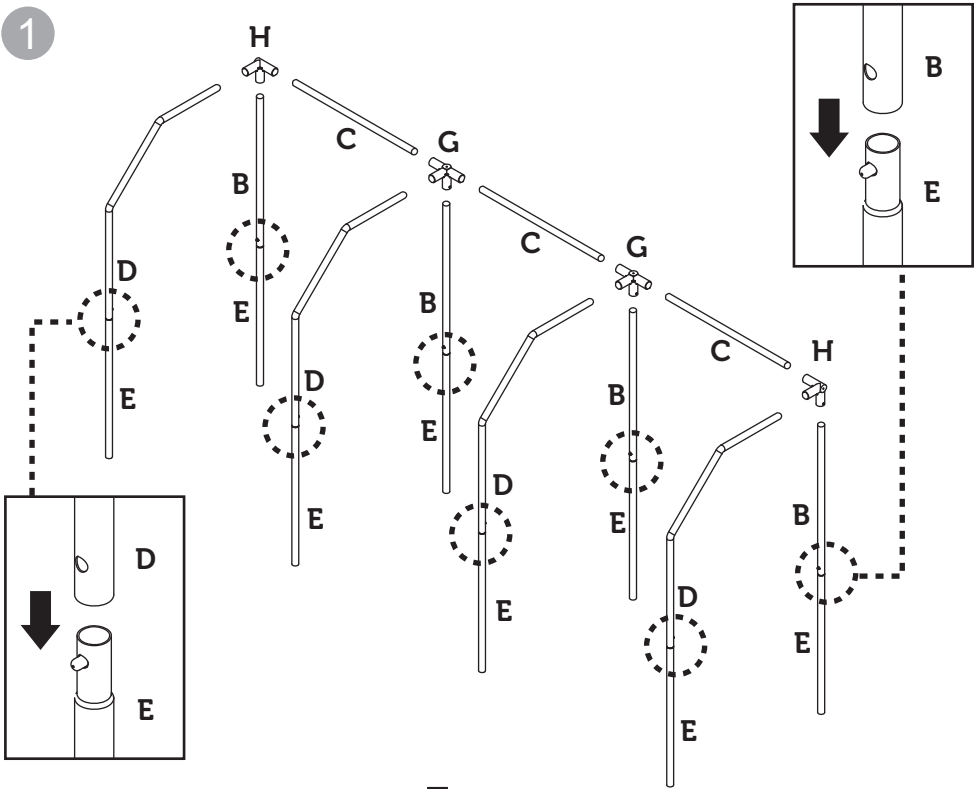


J x 4

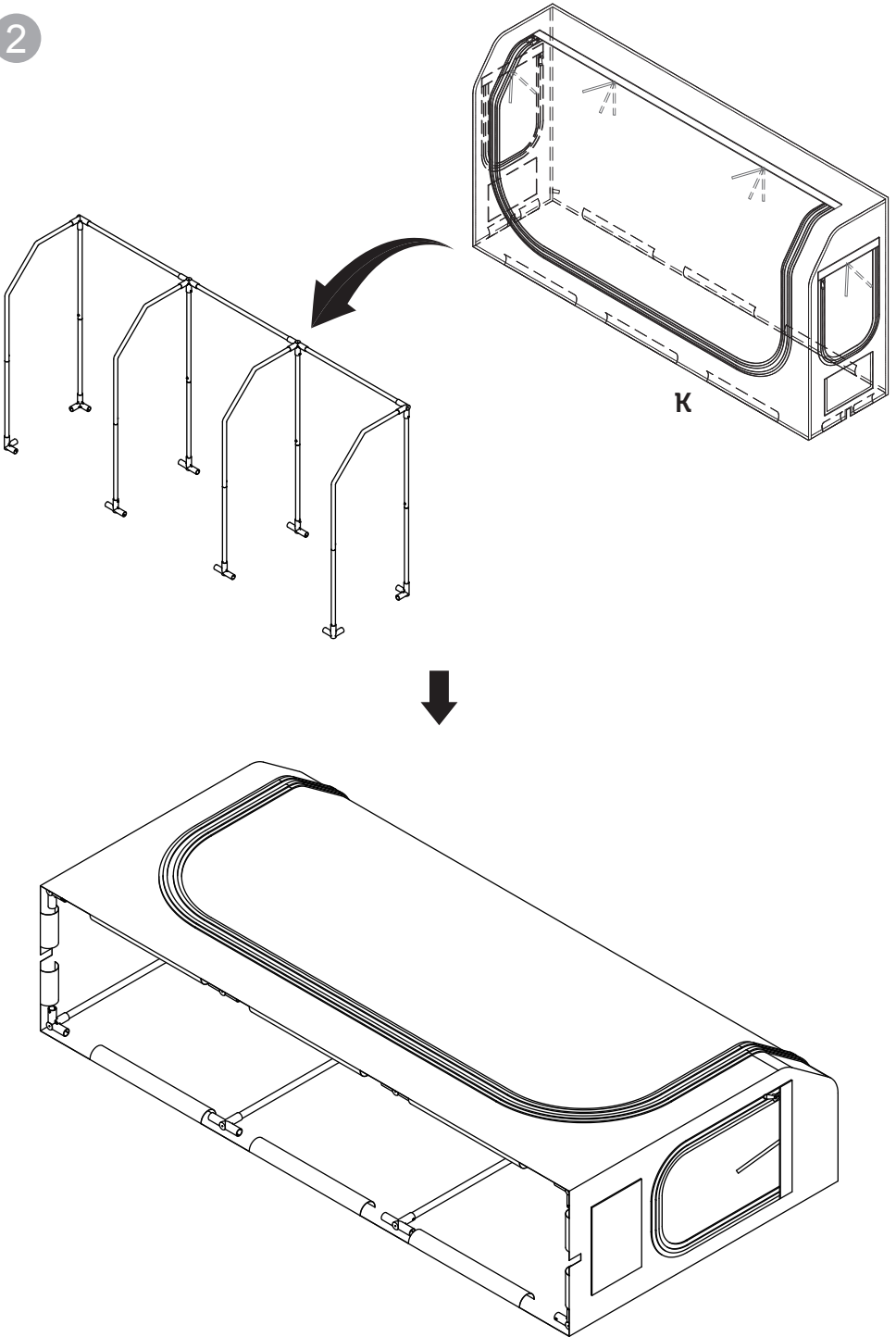


K x 1

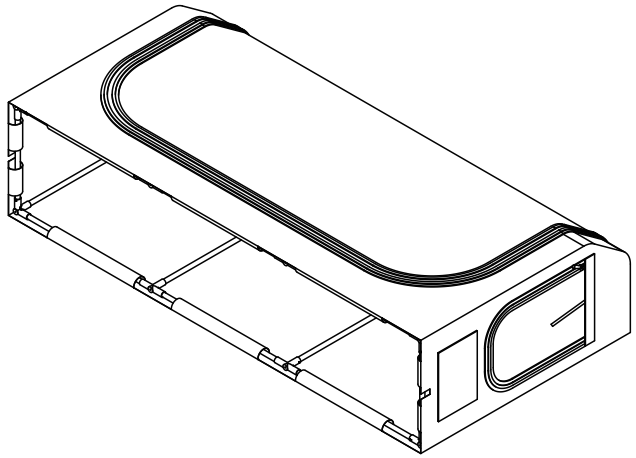
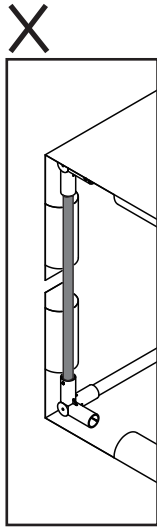
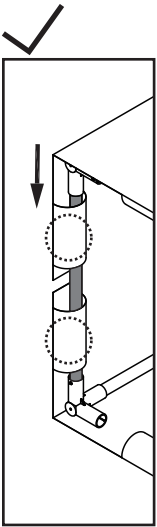
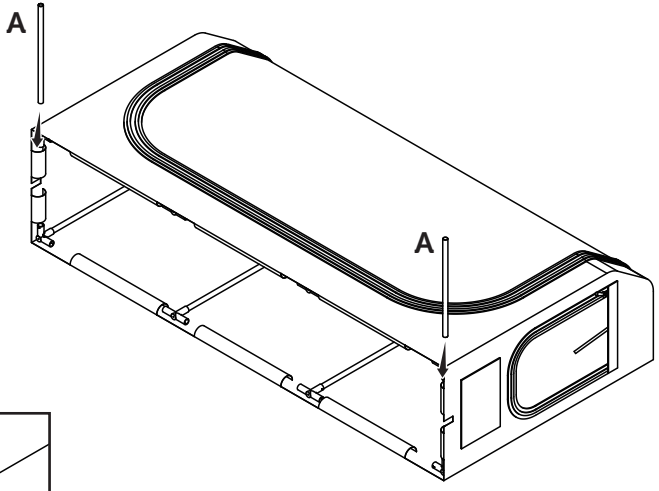
1



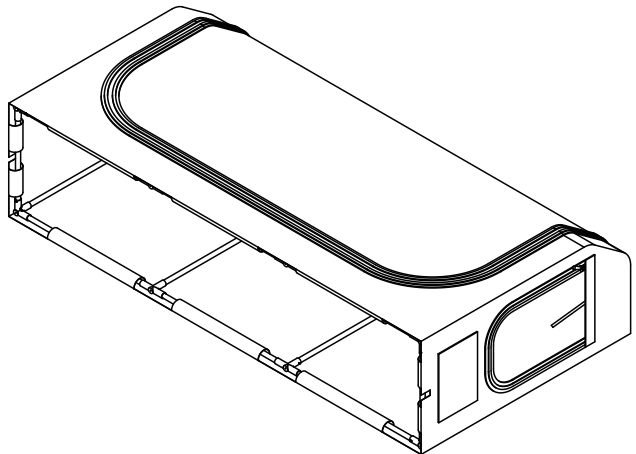
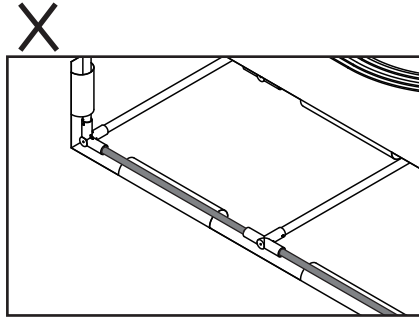
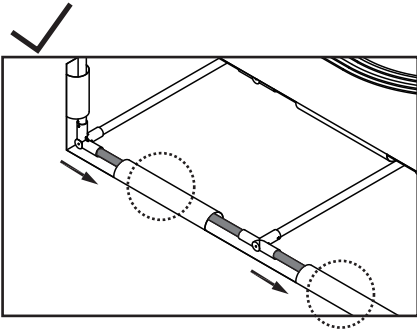
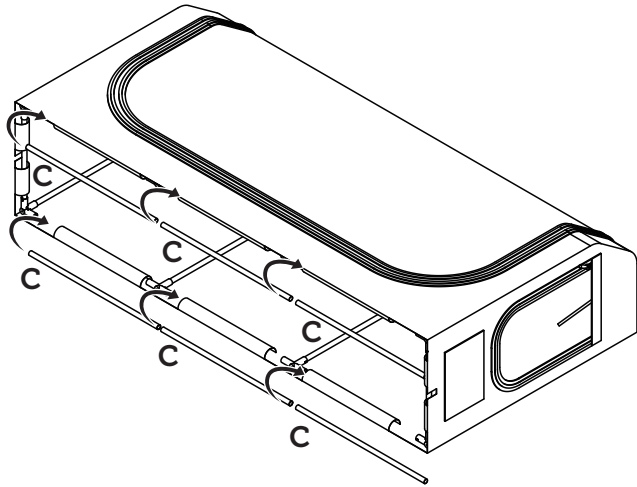
2

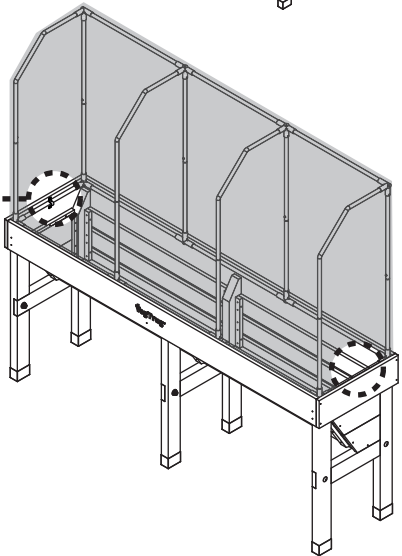
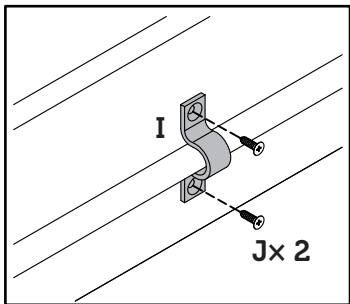
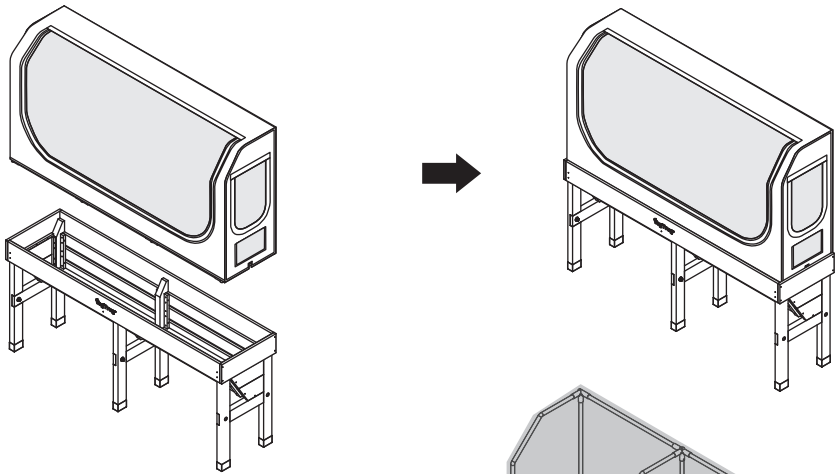
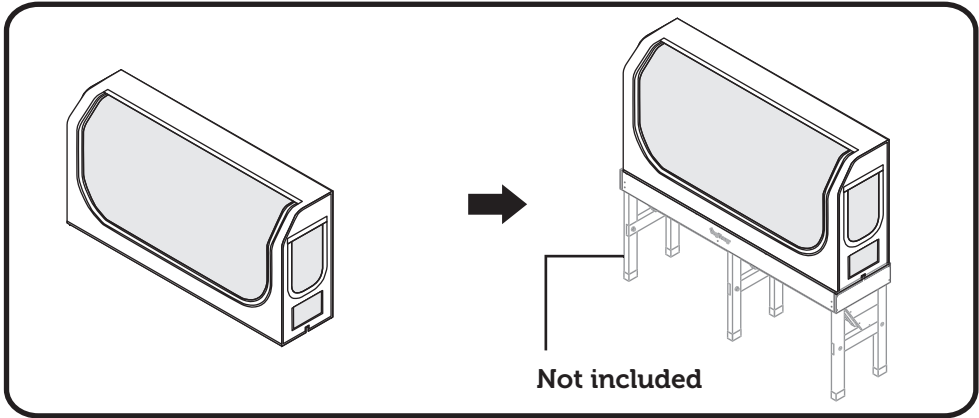


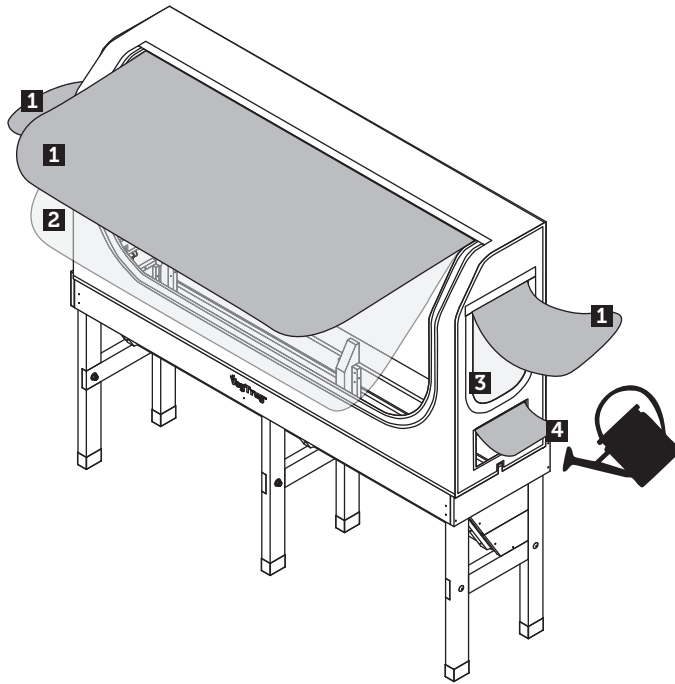
3



4







1 Reinforced greenhouse cover
Reinforced greenhouse cover for colder months

2 Micro mesh cover
Micro mesh cover for warmer months (insect protection)

3 Micro mesh cover*
Micro mesh cover for warmer months (insect protection)
*Micro mesh covers on the sides are always closed

4 Reinforced greenhouse cover
Easy fill opening system when combined with VegTrug water reservoir
(sold separately)