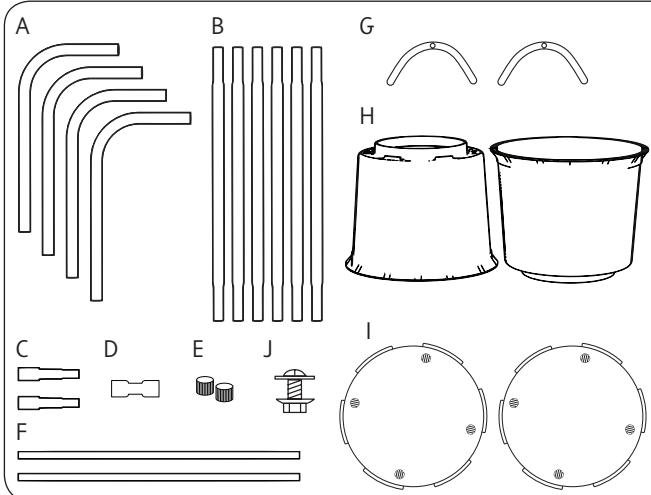


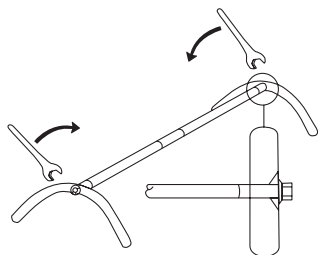
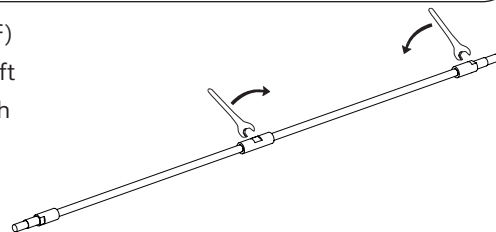
220L Compost Tumbler

Tumbleweed's 220L Compost Tumbler is ideal for small gardens and courtyards - you can even place it on concrete or pavers. You'll find Tumbleweed's 220L Compost Tumbler is the easiest way to compost - just load the barrel then turn it every few days. A built in breaker bar will mix and aerate to speed decomposition, leaving you with fantastic mulch in just four weeks or rich compost in six.



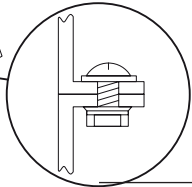
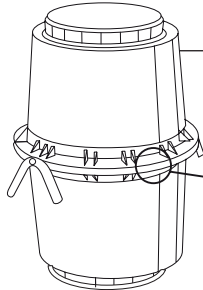
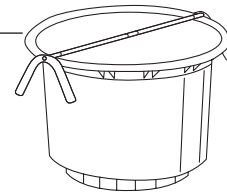
Contents	
A	Leg Corners x 4
B	Legs x 6
C	Shaft Ends x 2
D	Shaft Joiner Bush x 1
E	Shaft Nylock Nuts x 2
F	Centre Shafts x 2
G	Shaft Supports x 2
H	Drum Sections x 2
I	Lid x 2
J	Drum joining screws x 16 (screws, washers & nuts)

- 1 Assemble Shaft by screwing the Centre Shafts (F) to the Shaft Joiner Bush (D). Next screw the Shaft Ends (C) to both ends. Tighten the assembly with two spanners, one on the Shaft Joiner Bush and the other on the Shaft End. Repeat to tighten both ends of the assembled shaft.



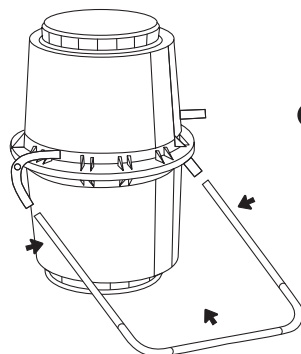
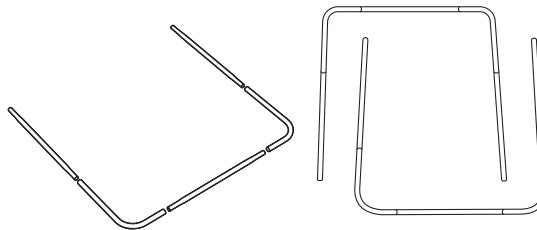
- 2 With the Centre Shaft assembled fit the Shaft Supports (G) with indent facing out. Using the Shaft Nylock Nuts (E) tighten each end using two spanners turning in opposite directions until nuts lock.

- 3 Locate Centre Shaft assembly in bearing grooves of one drum half.



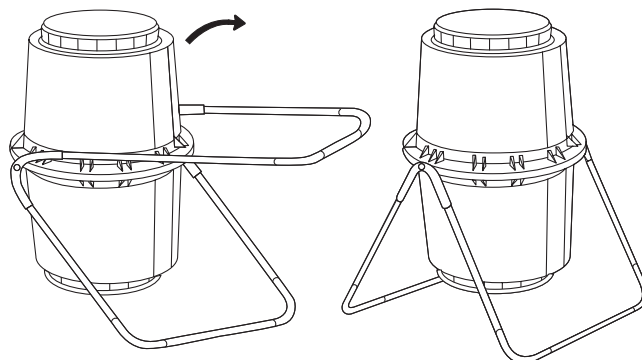
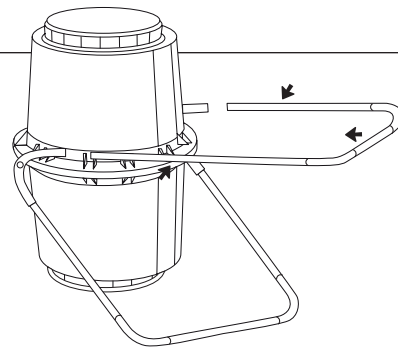
- 4 Assemble drum by placing second half on top of first half making sure to locate bearing grooves. Join drum halves together using drum joining screws (J). Fit 16 screws with washers in holes before adding and tightening nuts.

- 5 Assemble both sets of Leg Corners (A) together by fitting Legs (B) into short part of Corner Legs and pressing together and repeat for second set.



- 6 Fit one leg set to elbows by pressing "U" shape together sufficiently to allow entry to elbows.

- 7 Fit second leg set to elbows using the same method.



- 8 Lift Tumbleweed 220L Compost Tumbler onto the stand.