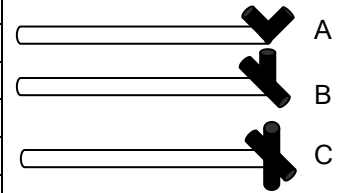


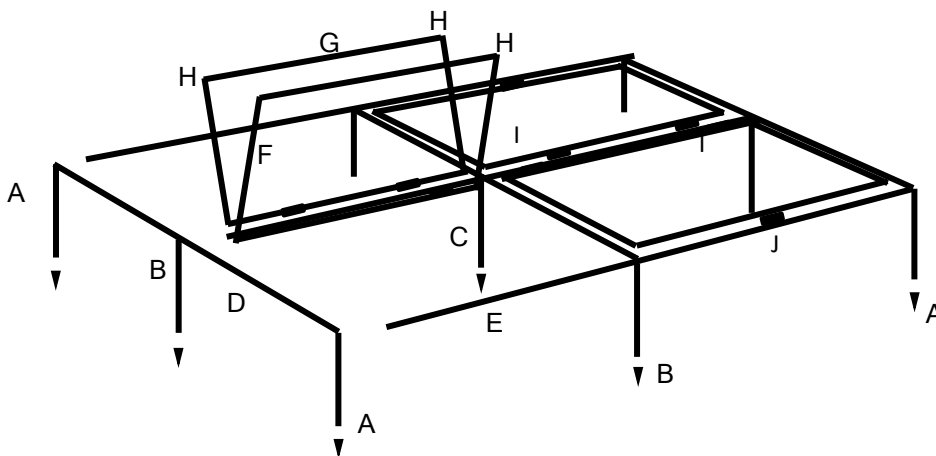
Strawberry Cages T21(10)
Model: 8' Wide x 18" High
Assembly Instructions



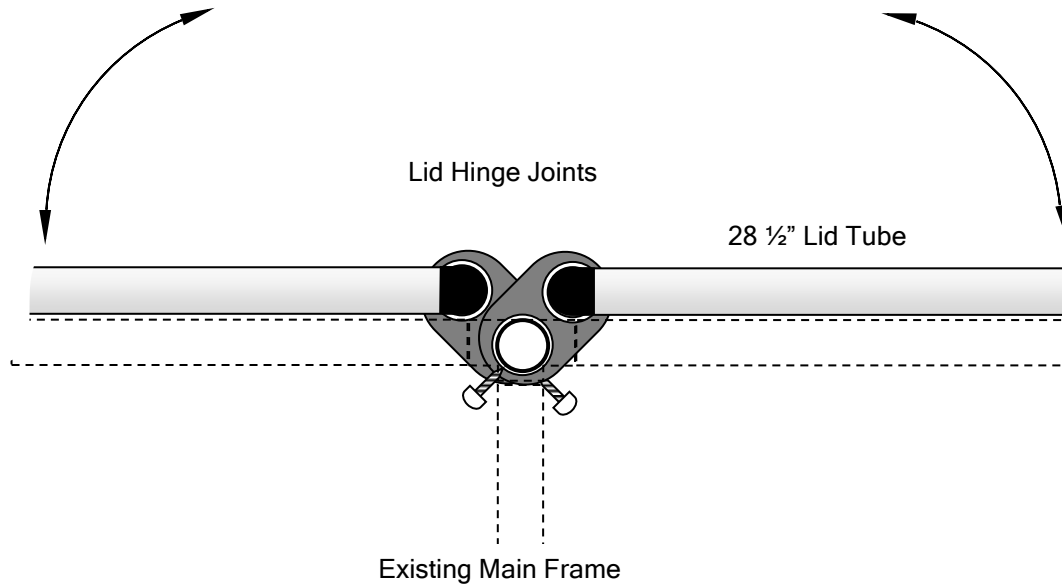
Components	Length					
	6'	12'	18'	24'	30'	36'
A Tube 24" Corner Leg	4	4	4	4	4	4
B Tube 24" Side Leg	2	4	6	8	10	12
C Tube 24" Mid Leg	-	1	2	3	4	5
D Tube 48" Horizontal	4	6	8	10	12	14
E Tube 72" Horizontal	3	6	9	12	15	18
F Tube 47 1/2" Lid	4	8	12	16	20	24
G Tube 71" Lid	4	8	12	16	20	24
H 2 Way Joint Lid	8	16	24	32	40	48
I Hinge Clip Lid & Screw	4	8	12	16	20	24
J Double Tube Clip Lid	2	4	6	8	10	12
Roof Netting 1.4m Wide	4	8	12	16	20	24
Side Netting 0.5m wide	9	13	17	21	25	29
Netting Ties	100	150	200	250	300	350
Ground Pegs	20	30	40	50	60	70
3 Way Joint	4	4	4	4	4	4
4 Way Joint	2	4	6	8	10	12
5 Way Joint	-	1	2	3	4	5
Ground Spike	6	9	12	15	18	21



1. Please check the components.
2. Assemble the lids using the 2way corner joints, 47 1/2" and 71" tubes remembering to slide two of the hinge clips down one of the 71" tubes.
3. Assemble the main framework as shown in the diagram. Before attaching all the joints, slide the bottom part of the hinge clips on the assembled lids onto each 6' horizontal. Use a rubber or wooden mallet to knock the tubes onto the joints until the tube is up against the shoulder of the joint.



- Once the main frame and lids are assembled, lock the lid hinge joints in place against the central length tube "E" using the self-tapping grub screws. Set each hinge at approximately 45* to each other.



- Push the verticals into the ground to a depth of approx' 6".
- Cut individual pieces of net to suit the lids allowing enough excess to wrap around the tubular frame and secure using the net ties.
- Starting at one corner, run the 0.5m wide net around the sides of the frame and secure using the ties which can fasten the net back onto itself or wrapped around the frame.

* To prevent snow damage during winter, remove the lid netting or replace it with pigeon netting.