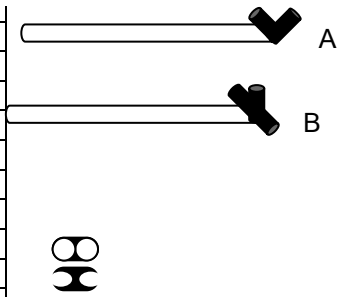


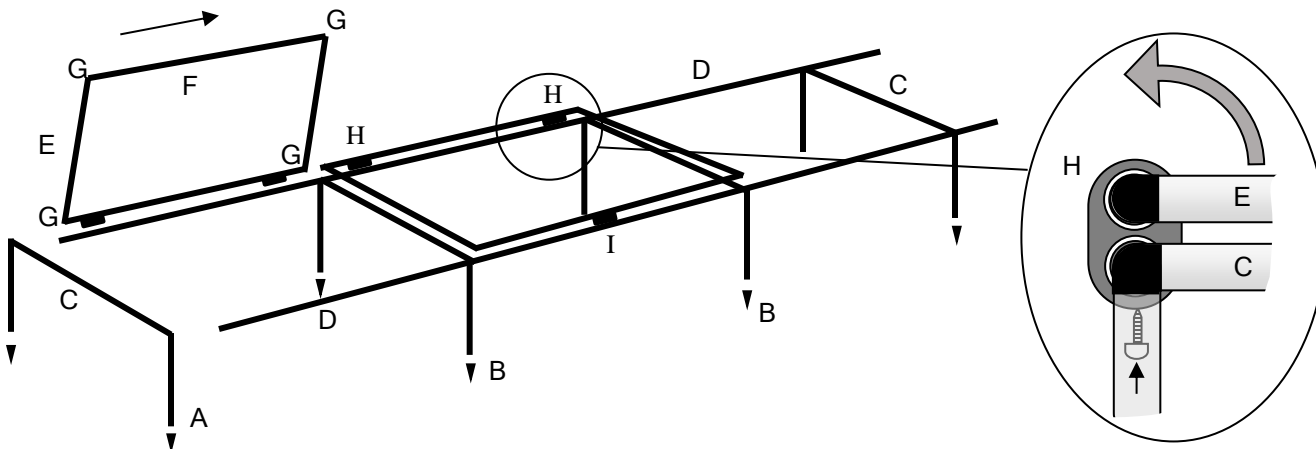
Strawberry Cages T17(10)
Model: 4' Wide x 18" High
Assembly Instructions



Components	Length					
	6'	12'	18'	24'	30'	36'
A Tube 24" Corner Leg	4	4	4	4	4	4
B Tube 24" Side Leg	-	2	4	6	8	10
C Tube 4' Horizontal	2	3	4	5	6	7
D Tube 6' Horizontal	2	4	6	8	10	12
E Tube 4' Lid	2	4	6	8	10	12
F Tube 71" Lid	2	4	6	8	10	12
G 2 Way Joint Lid	4	8	12	16	20	24
H Hinge Clip Lid & Screw	2	4	6	8	10	12
I Double Tube Clip Lid	1	2	3	4	5	6
3 Way Joint	4	4	4	4	4	4
4 Way Joint	-	2	4	6	8	10
Netting 1.4m Wide	5	9	13	17	21	25
Netting Ties	50	100	100	150	150	200
Ground Pegs	15	20	30	40	45	55
Ground Spike	4	6	8	10	12	14



1. Please check the components.
2. Assemble the lids using the corner joints, 4' and 71" tubes remembering to slide two of the hinge clips down one of the 71" tubes.
3. Assemble the main framework as shown in the diagram. Before attaching all the joints, slide the bottom part of the hinge clips on the assembled lids onto each 6' horizontal and secure using the screw. Use a rubber or wooden mallet to knock the tubes onto the joints until the tube is up against the shoulder of the joint.
- 4.



5. Push the verticals into the ground to a depth of approx' 6".
6. Cut individual pieces of net to suit the lids allowing enough excess to wrap around the tubular frame and secure using the net ties.
7. Take the remainder of the net and cut in half along the whole length. Starting at one corner, run these two lengths around the sides of the frame and secure using the ties which can fasten the net back onto itself or wrapped around the frame.

*** To prevent snow damage during winter, remove the lid netting or replace it with pigeon netting.**