

SLEEPER BED 4' x 2'

ISSUE 0216

IMPORTANT: RETAIN FOR FUTURE REFERENCE: READ CAREFULLY.

- Always pre-drill timber to avoid splitting.
- The timber in this product is pressure treated to ensure longevity and protection against rot. This may leave colour variations, but these will even out as the moisture content stabilises.
- Timber is a natural material and will shrink and swell as a result of varying moisture content.
- Keep all plastic bags and parts away from children.
- This product is not intended for use by children. Do not climb.

Technical Help line: 0333 7777 089 8:30am - 5.00pm Monday to Friday

In line with your statutory rights, please check all parts prior to assembly, as assembly of damaged parts may be deemed to be acceptance and this may affect the remedies you are entitled to. If the product is not constructed in accordance with the instructions, or is altered in anyway (e.g. painted), the manufacturer cannot be held liable for any resulting damage.

Important : Assembly of this product requires a minimum of two adults.



REQUIRED TOOLS:
(NOT SUPPLIED)



PARTS:



600mm Sleeper (2001000600PTR) Qty



1200mm Sleeper (RSNC4BI) Qty 4

(FIXING PACK) FPSLBED42

NOT TO SCALE



M10 x 160 HEX HEAD COACH SCREW Qty 16



4" MENDING PLATE Qty 2

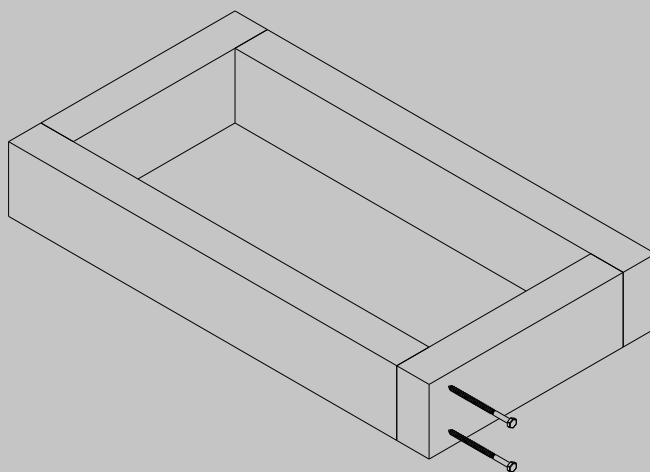
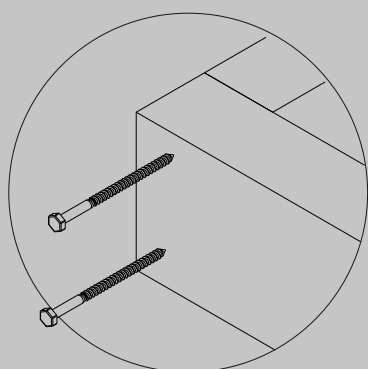


3.5 x 35 WOOD SCREW Qty 8



www.forestgarden.co.uk

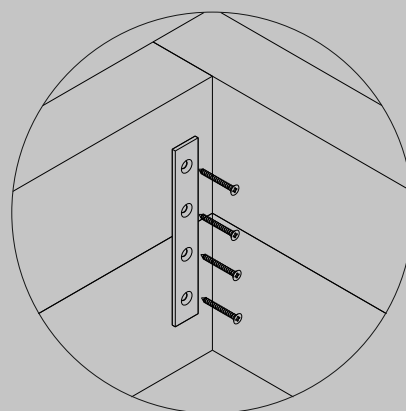
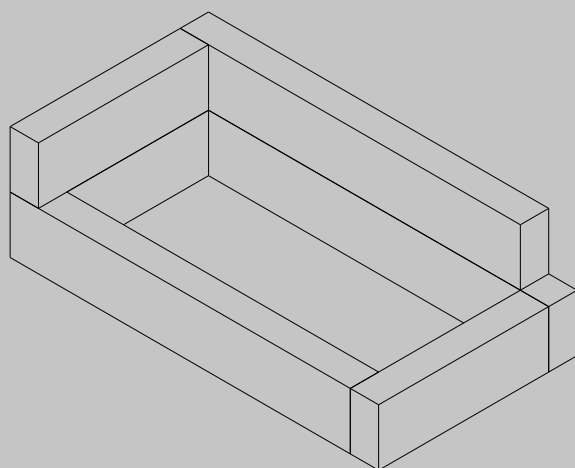
1



Place the sleepers on the ground placing each sleeper as shown to create a rectangle 1300 x 700mm.

Secure the sleepers together using 2 x coach screws as shown.
(Must Pre-drill)

2



Repeat step one but place the second layer so that the sleepers are offset.

Fix the two layers together using the two fixing plates, placing them in opposite corners. Fix the two layers together using the 35mm screws provided.

This article contains biocidal products to give protection against wood destroying insects & wood rotting fungi. Contents may vary. May contain : Basic copper carbonate (Copper (II) carbonate – Copper (II) hydroxide (1:1), Cupric oxide, Copper hydroxide carbonate, oxyethyl, ammoniumpropionate, Copper HDO, Propiconazole, Tebuconazole, Boric acid, Benzalkonium chloride. Wear gloves when handling freshly treated wood. Avoid breathing dust when cutting treated or untreated wood. Dispose of off-cuts responsibly – do not burn.