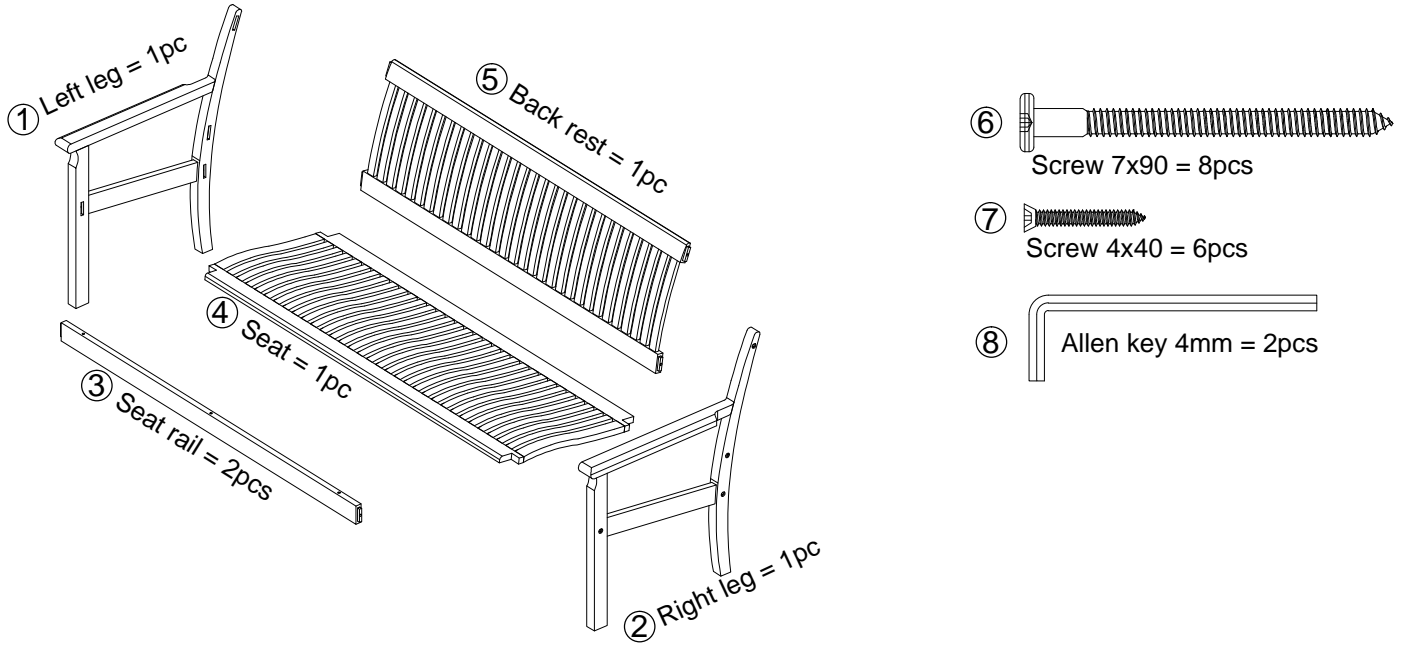


WILLINGTON 1.5 BENCH
ASSEMBLY INSTRUCTION

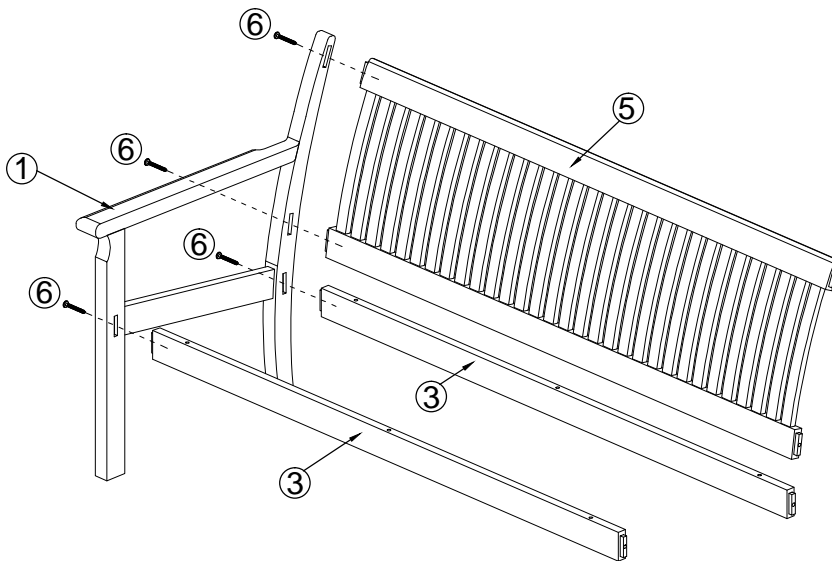
WILBENCH15

Help Line (Normal Office Hours) 01829 261 121
Sales@rowgar.co.uk

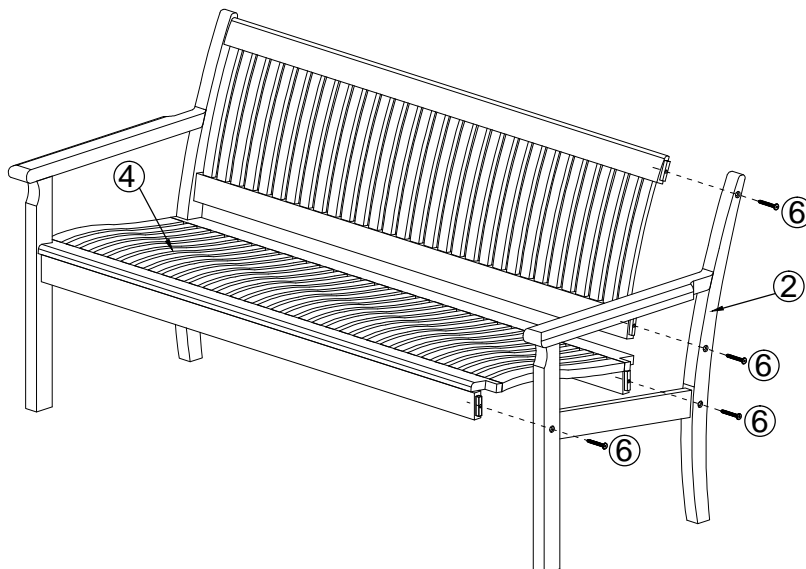
This pack contains one bench 3 seater.



STEP 1

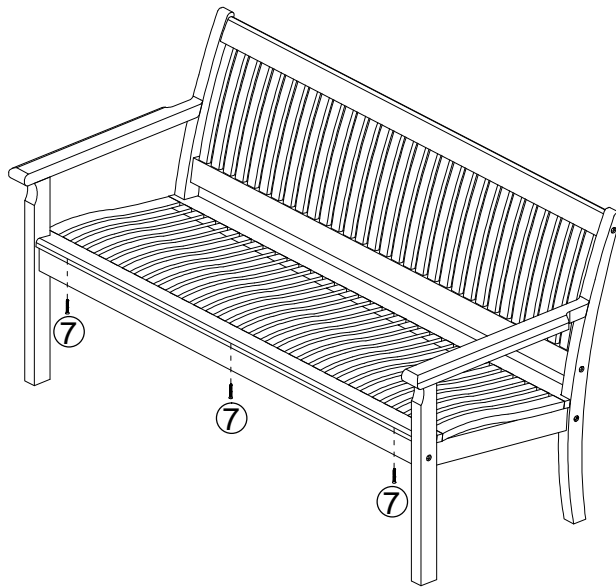


STEP 2

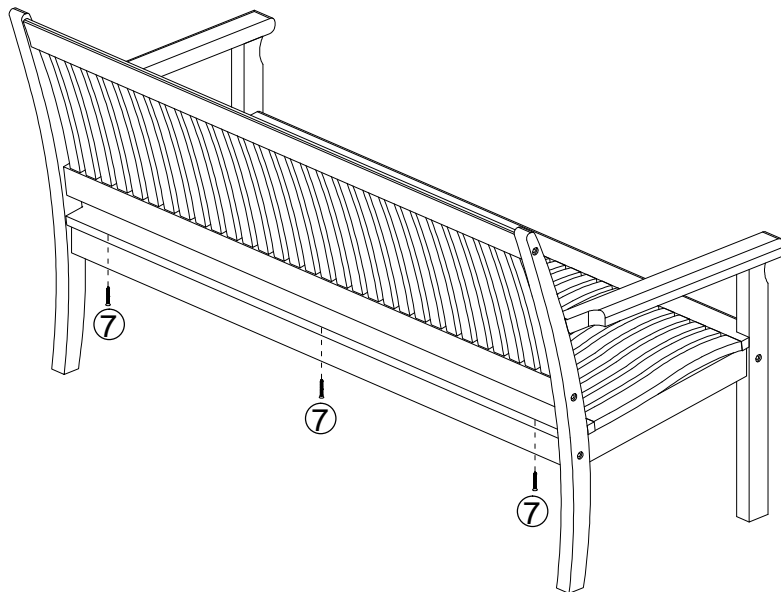


WILLINGTON 1.5 BENCH ASSEMBLY INSTRUCTION

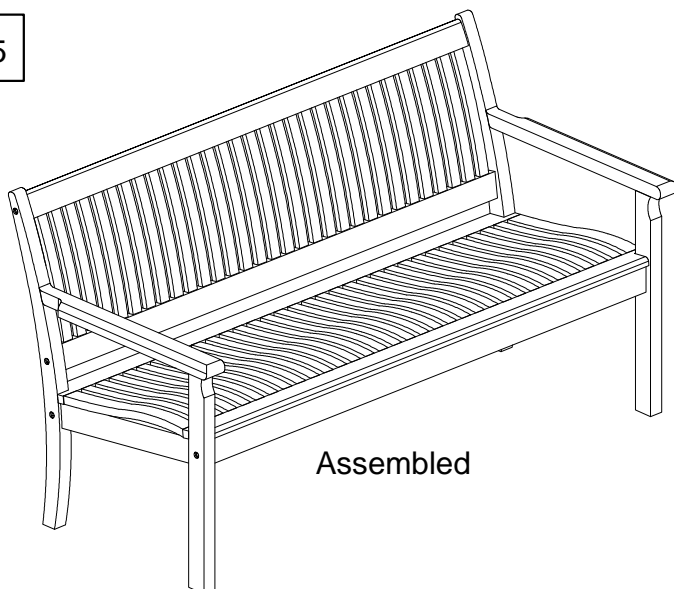
STEP 3



STEP 4



STEP 5



Assembled

We constantly improve the quality of our products, occasionally the components may differ from the components shown and are only correct at time of printing. We reserve the right to change the specification of our products without prior notice.

2019 © Rowlinson Garden Products Ltd