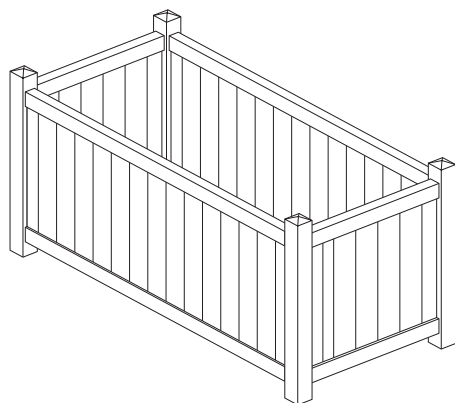


Rectangular Planter

English SS031

Help Line (Normal Office Hours) 01829 261 121

Assembly Instructions



Before assembly

- We recommend that time is taken to read the instructions before starting assembly, then follow the easy step by step guide. The instruction sheet is only a guide to the assembly. Certain items may not be shown to scale.
- Check all components prior to assembly

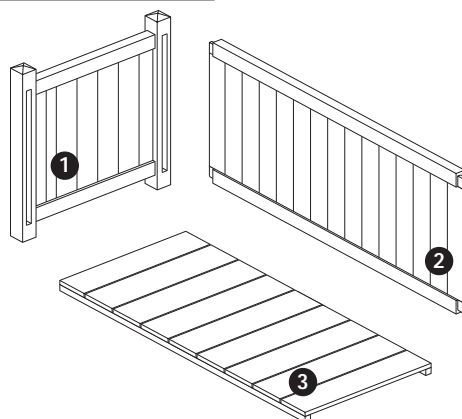


Recommended tools for assembly

- Cross head screwdriver
- Mallet

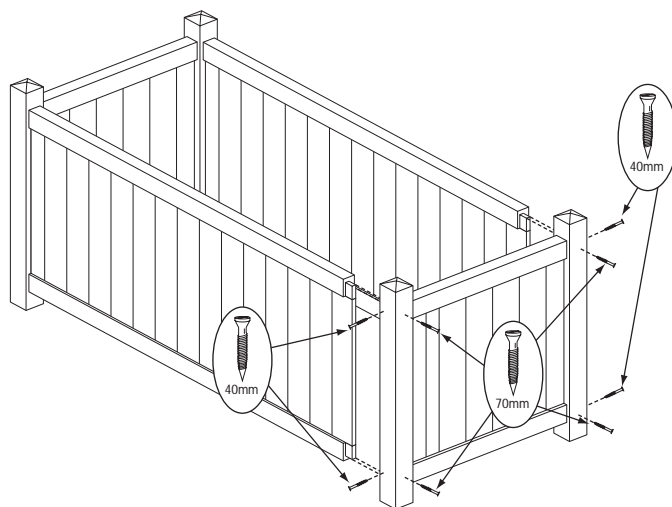
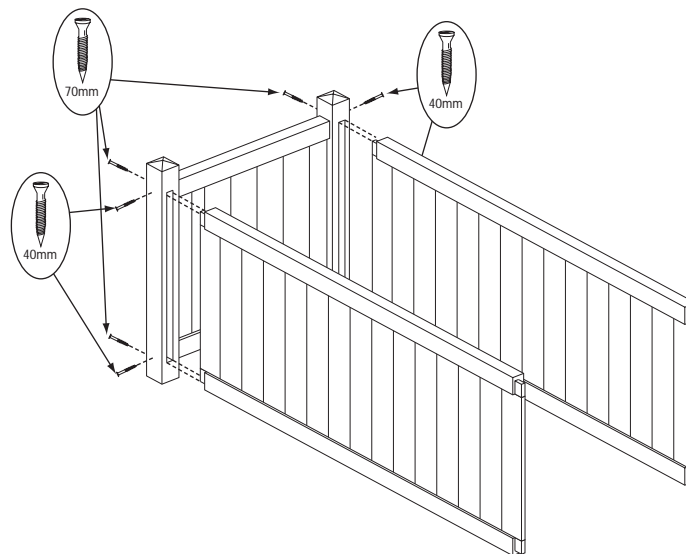
No.	Components	Qty.
1	End panels	2
2	Side panels	2
3	Base	1

No.	Fixing Kit	Qty.
4	70mm screws	8
5	40mm screws	14



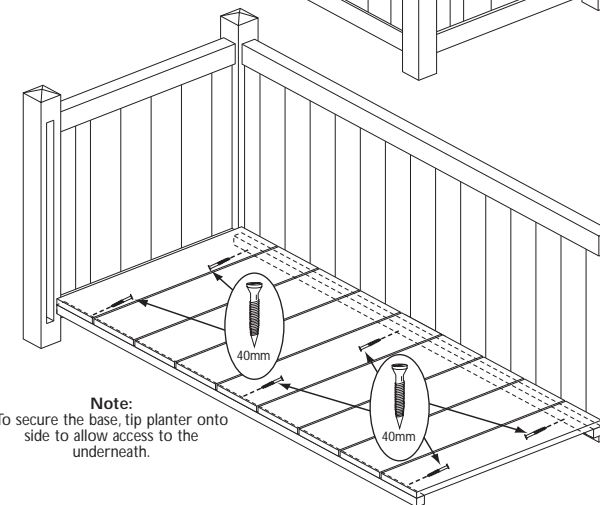
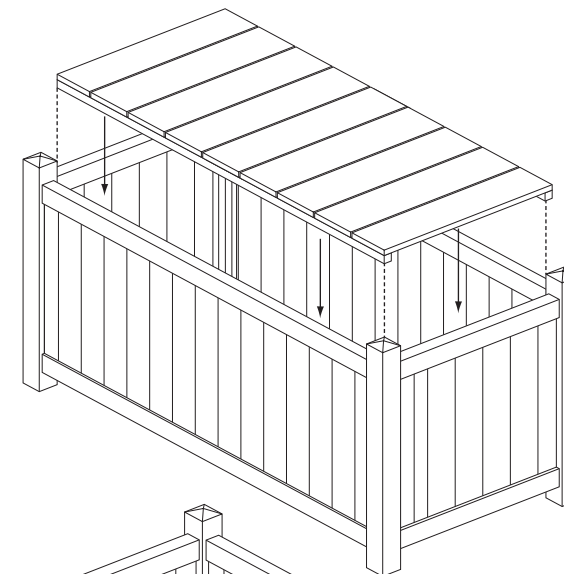
1. Panels

Slot the side panels into the rebates of an end panel. Secure together using 40 and 60mm screws through the pre-drilled holes as shown below. Fit the other end panel to the side panels in the same way.



2. Base

Place the base into the the planter. Secure base into place using 6 x 40mm screws, on the underside of the planter screw through the pre-drilled holes in the framing of the base into the side panels, 3 screws per panel. For easier access tip the planter on its side.



Note:
To secure the base, tip planter onto side to allow access to the underneath.

We constantly improve the quality of our products, occasionally the components may differ from the components shown and are only correct at time of printing. We reserve the right to change the specification of our products without prior notice.