

# Overhang Parasol

# English SS490A

## Assembly Instructions



### Before assembly

- We recommend that time is taken to read the instructions before starting assembly, then follow the easy step by step guide. The instruction sheet is only a guide to the assembly. Certain items may not be shown to scale.
- Check all components prior to assembly
- This product should be assembled by no less than two people.

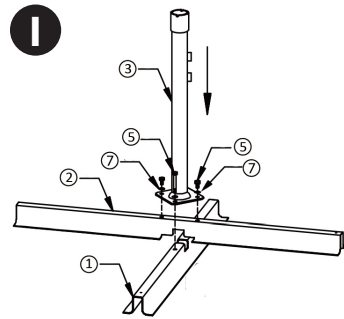


## IMPORTANT: RETAIN FOR FUTURE REFERENCE READ CAREFULLY

- This parasol must be bolted/screwed down or used with a minimum of two 25kg base weights. (bolts, screws and base weights sold separately).
- This parasol is sold as a sunshade, not a rain shelter.
- Do not use during excessive windy weather.
- Periodically check all fastenings for tightness.
- Sponge clean only.
- For domestic use only.

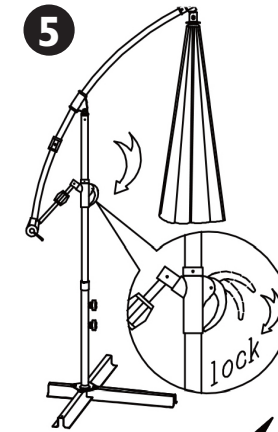
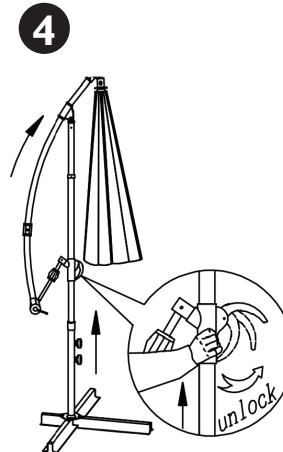
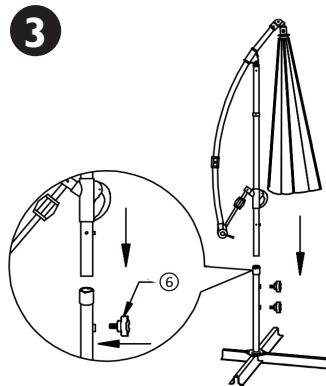
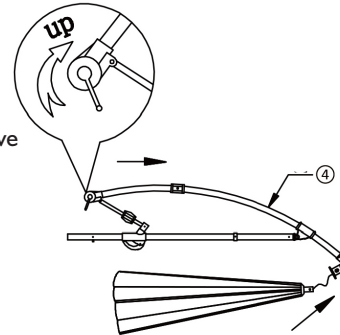
No.	Components	Qty.
1	Bottom base plate	1
2	Top base plate	1
3	Post	1
4	Parasol	1

No.	Fixing kit	Qty.
5	13mm bolt	4
6	40mm bolt	2
7	Washer	4



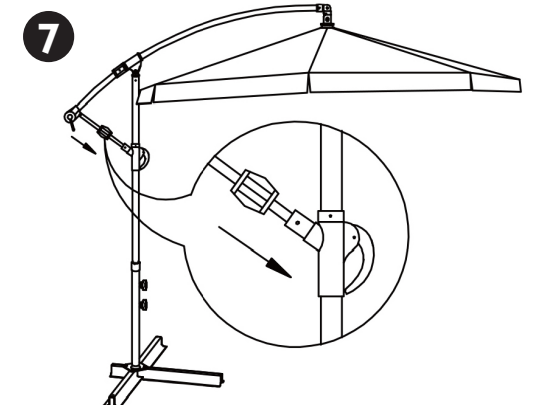
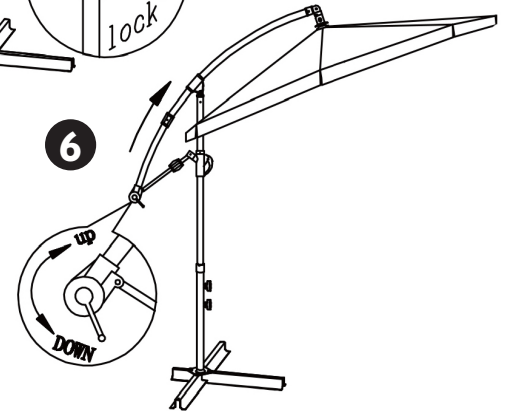
### 2 IMPORTANT

Wind up the crank to remove the slack from the chord.



### IMPORTANT

Before turning the crank handle, give the canopy a gentle shake and ensure all the arms are free to extend.



We constantly improve the quality of our products, occasionally the components may differ from the components shown and are only correct at time of printing. We reserve the right to change the specification of our products without prior notice.