

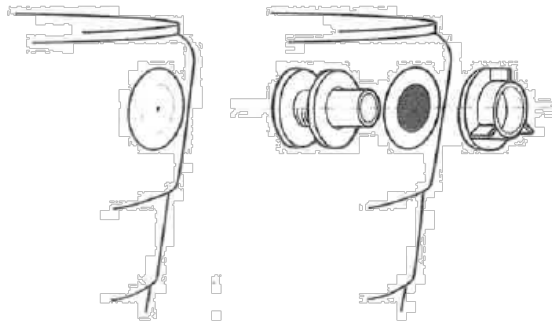
Rain Diverter Kit Fitting Instructions

Fits standard 68mm round and 65mm square plastic downpipes

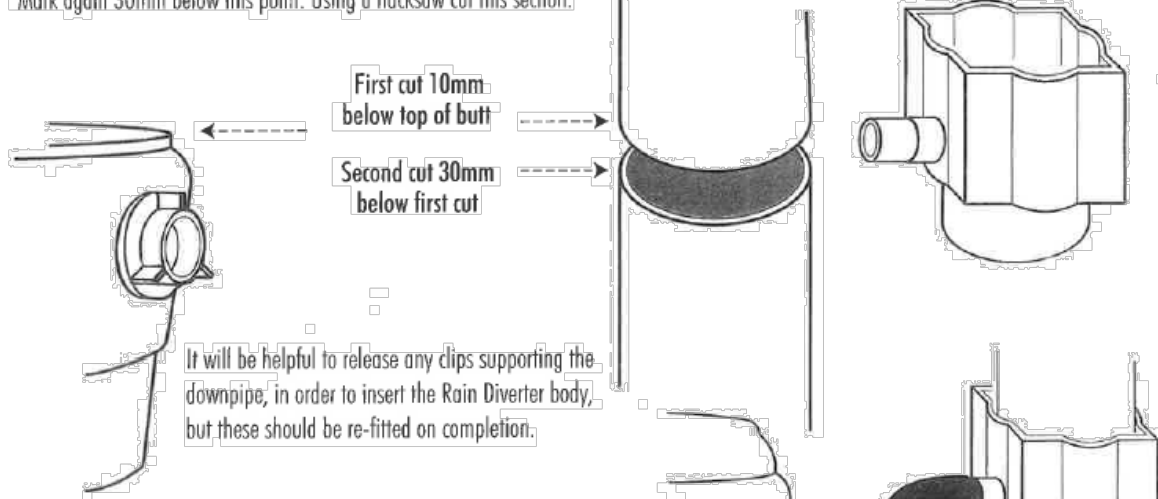
The Rain Diverter Kit is a simple to install product that allows you to collect rainwater from your downpipe without the water butt overflowing when full. The butt can either be positioned next to your downpipe or further away via an extended hose.

A Ensure lid is off water butt. If your water butt is not pre-drilled, then you will need to drill a 25mm hole to fit the Rain Diverter.

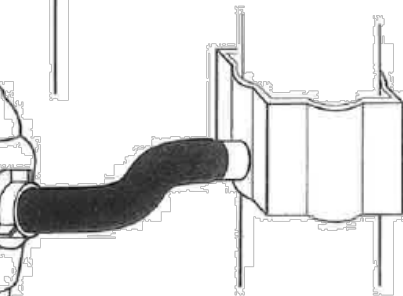
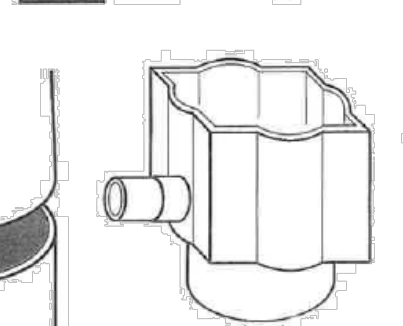
B Drill points can be found in the top lip of the water butt to the left and right. Drill a 25mm hole on the side of the water butt closest to the downpipe centering the drill bit in the marked circular area. Push the Rainover Diverter connector through the washer from the inside, then fit and tighten the nut on the outside to form a seal.



C Position your water butt with the tap facing forward adjacent to the downpipe. If using a stand, place butt on it. A 30mm section now needs to be removed from the downpipe. Mark the downpipe 10mm below the top of the water butt. Mark again 30mm below this point. Using a hacksaw cut this section.



D Fit the Rain Diverter body with the square end upright into the cut section of the downpipe.



E Connect the hose between the Rain Diverter body and the Water Butt connector.

Remember, If correctly fitted the Rain Diverter will always fill the butt to the level of the diverter connector. Should a fitting error occur correct as follows:

Water butt overflows - raise water butt

Water level too low - lower water butt

In the case of a low water level ensure enough rain has fallen to fill the butt before assuming a fitting error has occurred.

WARNING: Do not use an electric drill if there is any water in the water butt.

Please ensure this instruction leaflet is retained in a safe place for future use.