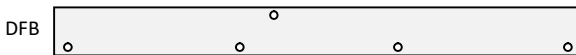


Easy Access Cold Frame

R09 (14)



Lid Side Sheet 565mm x 2

Angle Side Sheet Under Brace – 500mm x 2



MAIN FRAME		
Code	Description	Qty
A	Length Angles 1170mm	3
B	Back/Base Angles 609mm	4
C	Top/Front Angles 210mm-left/right	4
D	Front Diagonal Angles 570mm	2
E	Top/Bottom Door Support 1170mm	2
F	Tie Bars 280mm	4
G	Door Stays 285mm	2

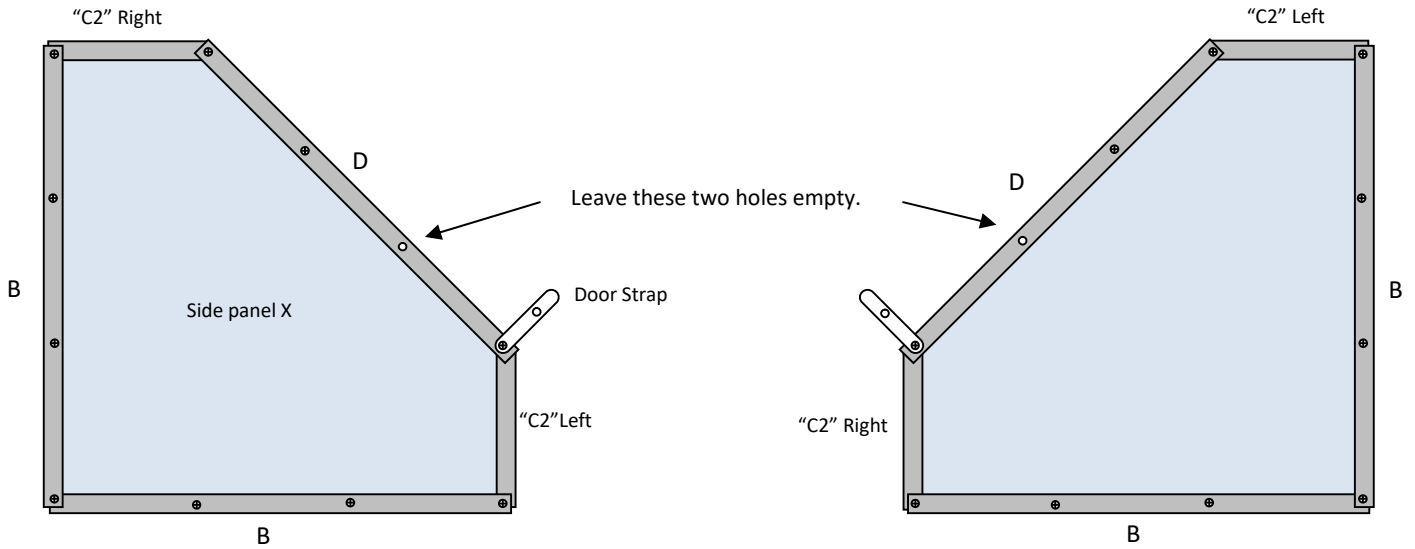
DOOR FRAME		
Code	Description	Qty
DFA	Hinge 1170mm	1
DFB	Side Sheet 565mm	2
DFC	Side Sheet Under Brace Angle 500mm	2
DFD	Side Rail Angle 1170mm	1

FIXINGS		
	½" Bolts & Nuts	102
	¾" Bolts & Nuts	10
	Wing Nuts	4
	White Plastic Door Straps	2
	Thin Plastic Washer	2

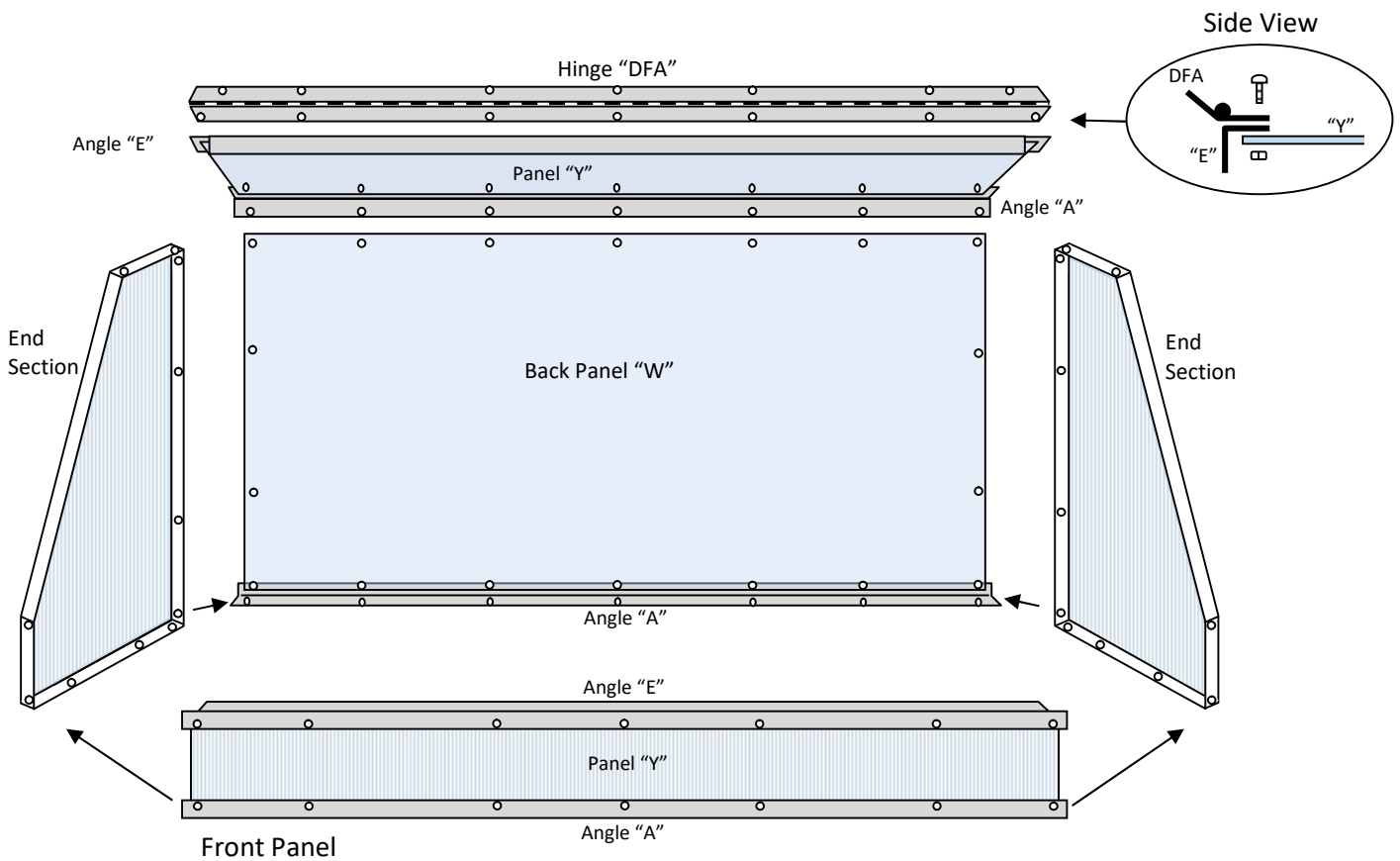
GLAZING PANELS		
W	Back Panel 600mm x 1160	1
X	Side Panel 605mm x 605	2
Y	Top/Front Panel 1160 x 205	2
Z	Door Panel 1112 x 555	1

SHELF PARTS		
	Short Brackets	2
	Long Brackets	2
	Shelf Plate 1155mm x 165	1

Please check all the components. Assemble finger tight only. Tighten up once assembly is complete.
 Before assembly, remove the protective film from both sides of the polycarbonate panels.
 Please note the polycarbonate is UV treated on both sides so can be fitted either way.



Assemble the two end sections as shown above, finger tight only at this stage, with the angles to the outside of the polycarbonate panels.



Assemble the front panel by attaching angles "A" and "E" to the long edges of panels "Y" leaving out the bolts at either end.

The top panel is assembled as per the front panel but with the addition of the hinge "DFA". This is fitted to the top side of angle "E" along the front edge of panel "Y".

Assemble the back panel "W" by attaching an angle "A" to the bottom edge again leaving out the two end nuts & bolts.

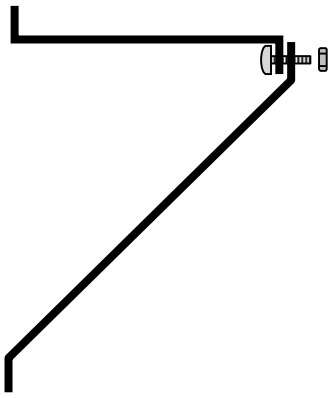
All five panel sections can now be married together.

Firstly, add the two end sections to the back panel.

Only bolt through the bottom holes at this point leaving the three remaining holes empty.

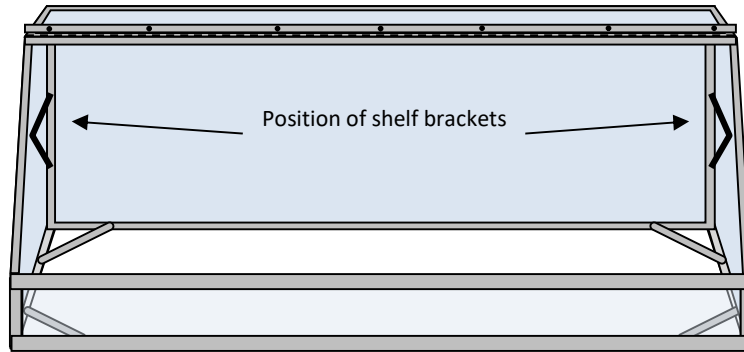
The front panel can then be attached to the vertical of each end section.

Finally attach the top panel to the two top horizontals on the two end sections and the top of the back panel with the hinge facing forward.



Assemble the two pairs of shelf brackets as shown using the $\frac{3}{4}$ " bolts so that the bolt protrudes out the front of the brackets.

These are then bolted into the two sets of holes left empty in the back panel again using the $\frac{3}{4}$ " bolts.

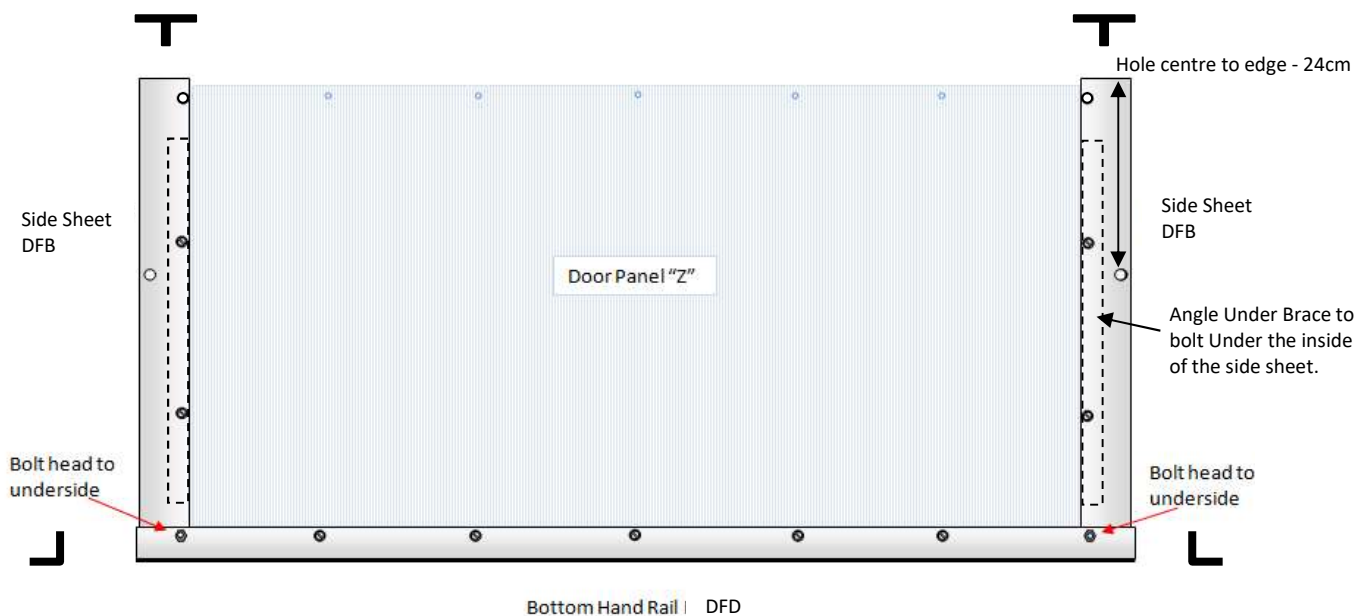


Offer the tray up to the brackets so that the holes in the front edge of the tray line up with the bolts facing out of the two brackets. When the tray is in position, secure using two of the wing nuts. If the tray is not needed the two wing nuts can be loosened off and the whole tray removed.

Take the four "tie bars" and position them diagonally across the inside of each corner. These help brace the body and also provide an anchor point.

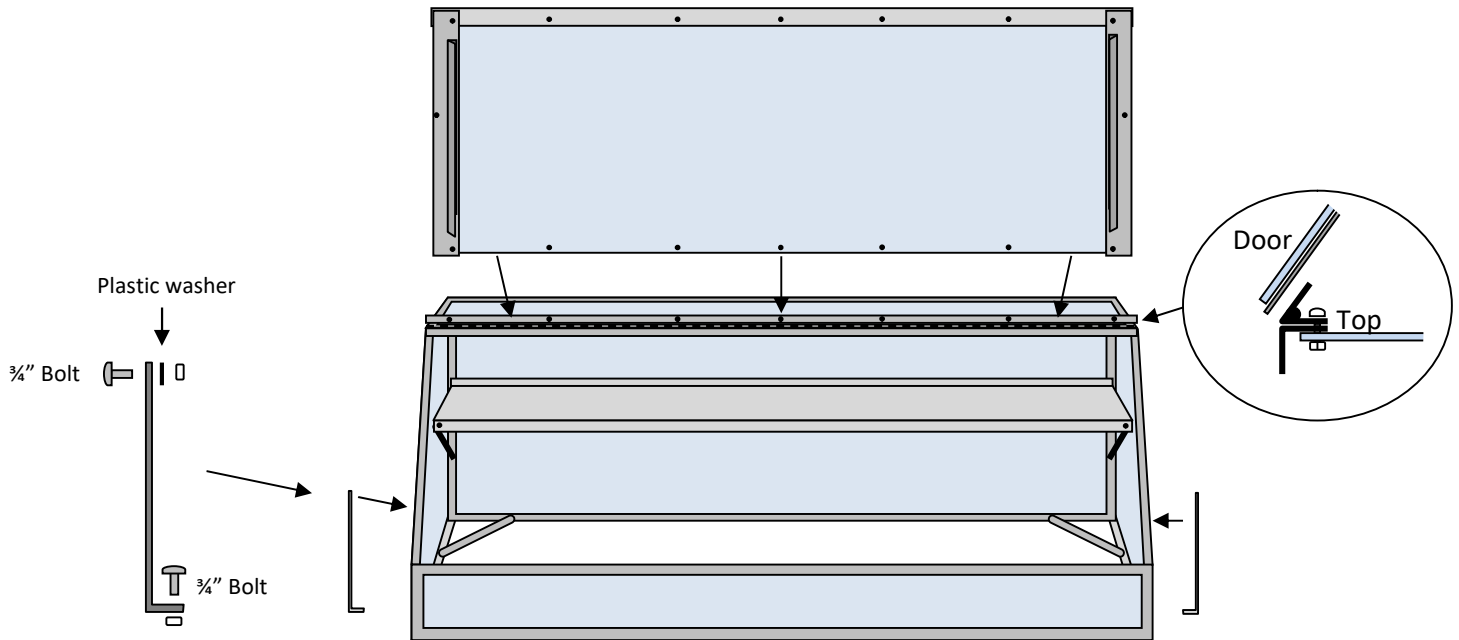
Assemble the Door Panel as shown below, attaching the two Side Sheets to the upper side of the door panel and Side Sheet Under Brace angles to the underside. The single hole in the Side Sheet should be nearer to the top edge – approximately 24cm. Leave the top holes empty as this is where the lid assembly will attach to the hinge.

Attach the bottom handrail to the two side sheets and door panel so that the angle faces up.

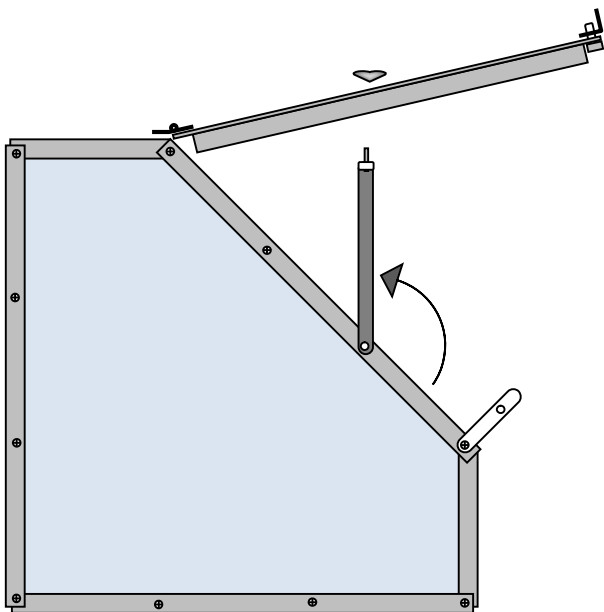


Take the Door Assembly and offer it up to the hinge. The door is attached to what will be the bottom face of the hinge.

Bolt the door in position finger tight only and then check that the whole door opens and closes smoothly. Adjust if necessary and square up and tighten.



Attach the door stay to the empty hole on the side of the end section using a 3/4 inch bolt, placing a plastic washer between the stay and angle, and fasten in position. Attach a bolt and nut into the 1 inch fold at the end of the stay.



The stays can be swung up into place to support the lid in the semi- open position.

Align the bolt on the end of the stay into the hole on the side of the door assembly. Once located secure using the wing nut.

The white door straps are to hold the door closed when in the closed position. The straps are pulled over the door edge and are located over the exposed bolts on the bottom door rail.