

Additional Tube Rail

Installation Instructions



Additional Tube Rail

Tubular Rail	x1
Rail Inserts	x2
Fixing Brackets	x2
Rail Bolts 30mm	x2
¾" Cropped Bolts	x4
Nuts	x12

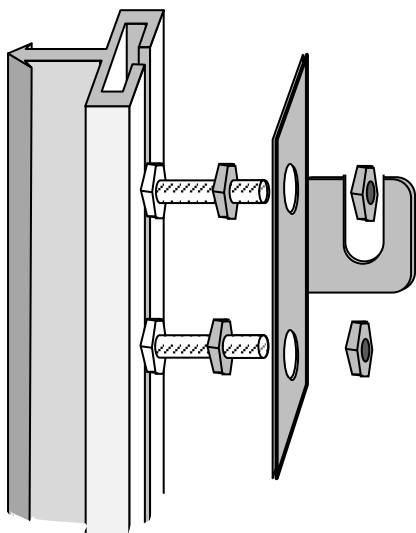
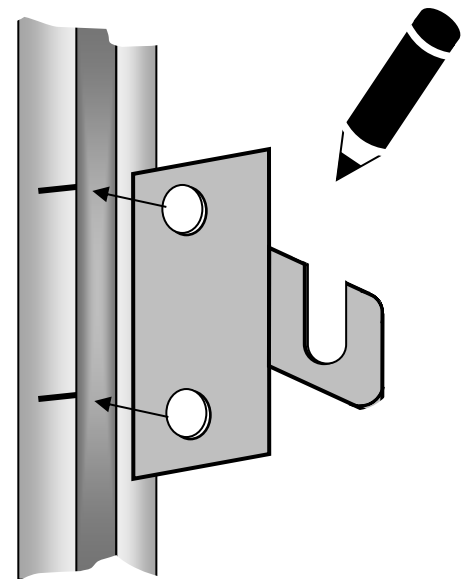
Please check all components.

Decide at what level you want to position the rail bearing in mind any bracing or strengthening bars which may obstruct the blinds when in position. Ideally the brackets need to be as near to the eaves as possible.

Depending where the brackets are to be positioned the slot can face up or down

Use the brackets as a template and mark the greenhouse frame where the bracket holes will be.

Insert the cropped head bolts into the glazing channel where marked and secure using a nut. Tighten to lock in position.



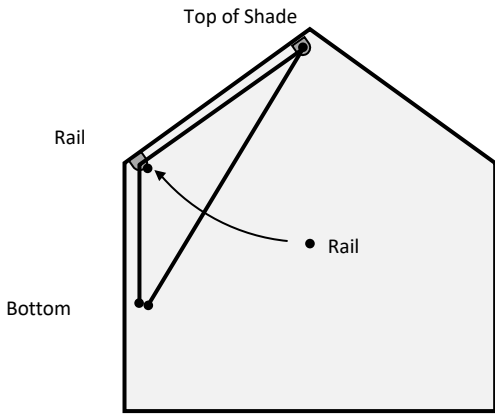
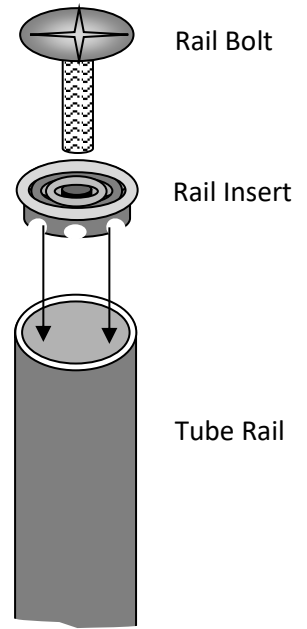
Screw two additional nuts onto each of the bolts to act as spacers.

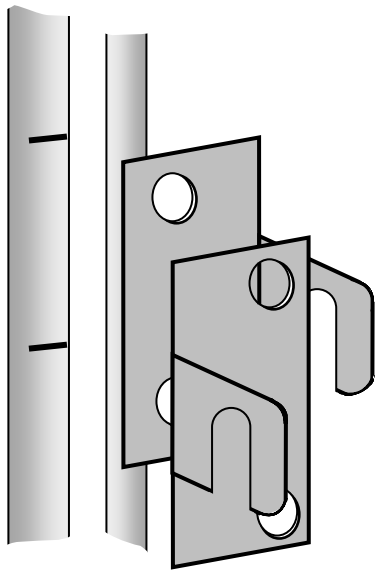
Offer the bracket up to the bolts and set onto the spacer nuts. Secure with two more nuts and tighten fully.

Take a Tube Rail and place an insert square over the end of the tube.
Tap in fully using a metal hammer. This is best achieved on a solid floor.

Screw a 30mm Rail Bolt loosely into each insert.

Taking a Shade Panel, secure towards the top of the greenhouse and at the bottom using the suckers provided remembering to allow a little slack.
Locate the rail against the panel and position the rail into the slotted brackets.
Adjust the rail bolts so that they fit snugly into the slots in the top brackets.





If the blinds are being fitted side by side along the wall or roof of the greenhouse the bolts and nuts need to be attached as above.
Two brackets are then secured onto the single set of bolts as shown.

Suggested layouts of panels for larger greenhouses

