

IMPORTANT, RETAIN FOR FUTURE REFERENCE: READ CAREFULLY.

Check all parts are present prior to assembly.

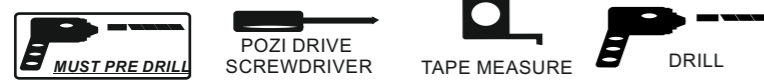
- Always pre-drill timber to avoid splitting.
- The timber in this product is pressure treated to ensure longevity and protection against rot.
This may leave colour variations, but these will even out as the moisture content stabilises.
- Timber is a natural material and will shrink and swell as a result of varying moisture content.
- Keep all plastic bags and parts away from children.
- This must be built on a solid level base.
- Assembly requires a minimum of two adults

Technical Help line: 0333 7777 089 8:30am - 5.00pm Monday to Friday

In line with your statutory rights, please check all parts prior to assembly, as assembly of damaged parts may be deemed to be acceptance and this may affect the remedies you are entitled to. If the product is not constructed in accordance with the instructions, or is altered in anyway (e.g. painted), the manufacturer cannot be held liable for any resulting damage.

This article contains biocidal products to give protection against wood destroying insects & wood rotting fungi. Contents may vary.
May contain : Basic copper carbonate (Copper (II) carbonate – Copper (II) hydroxide (1:1), Cupric oxide, Copper hydroxide carbonate, oxyethyl, ammoniumpropionate, Copper HDO, Propiconazole, Tebuconazole, Boric acid, Benzalkonium chloride.
Wear gloves when handling freshly treated wood. Avoid breathing dust when cutting treated or untreated wood. Dispose of off-cuts responsibly – do not burn.

REQUIRED TOOLS :
(NOT SUPPLIED)



KGPLA1 Parts List

- Part A - KGPLAEND (Planter End)
- Part B - KGPLASIDE882 (Planter Side 882mm)
- Part C - DRPBASE850V2 (Planter Base 850mm)
- Part D - 75160700A2PTR (700mm Angled Surround)
- Part E - 75161000A2PTR (1000mm Angled Surround)

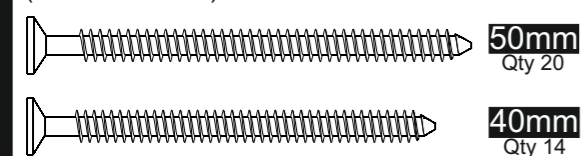
KGPLA18 Parts List

- Part A - KGPLAEND (Planter End)
- Part F - KGPLASIDE1682 (Planter Side 1682mm)
- Part G - DRPBASE1645V2 (Planter Base 1645mm)
- Part D - 75160700A2PTR (700mm Angled Surround)
- Part H - 75161800A2PTR (1800mm Angled Surround)

GBTRAY Parts List

- Part I - GBTEND (Grow Bag Tray End)
- Part J - GBTSIDE (Grow Bag Tray Side)
- Part K - GBTBASE (Grow Bag Tray Base)
- Part L - 45281052PT (Batten 45x28x1052mm)
- Part M - 75160550A2PTR (550mm Angled Surround)
- Part N - 75161170A2PTR (1170mm Angled Surround)

(FIXING PACK) KGPLAFP

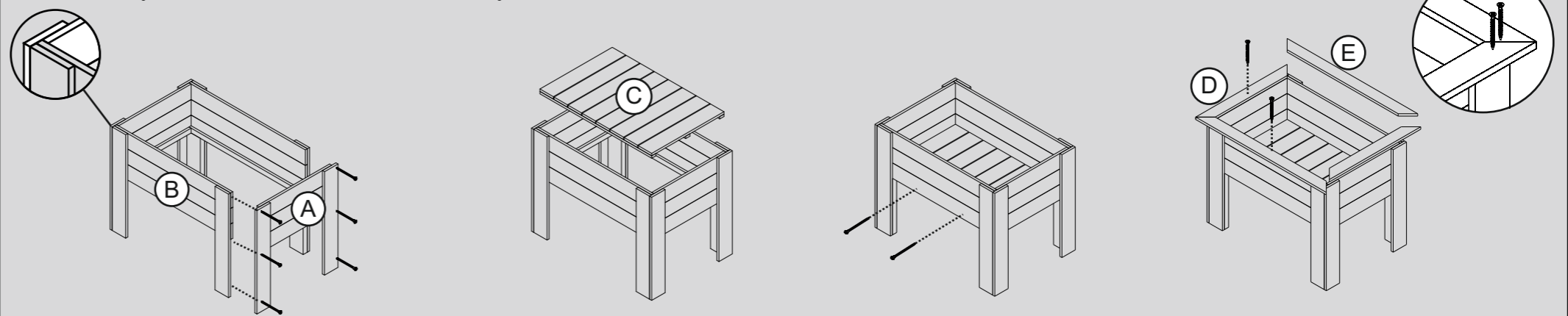


For further information



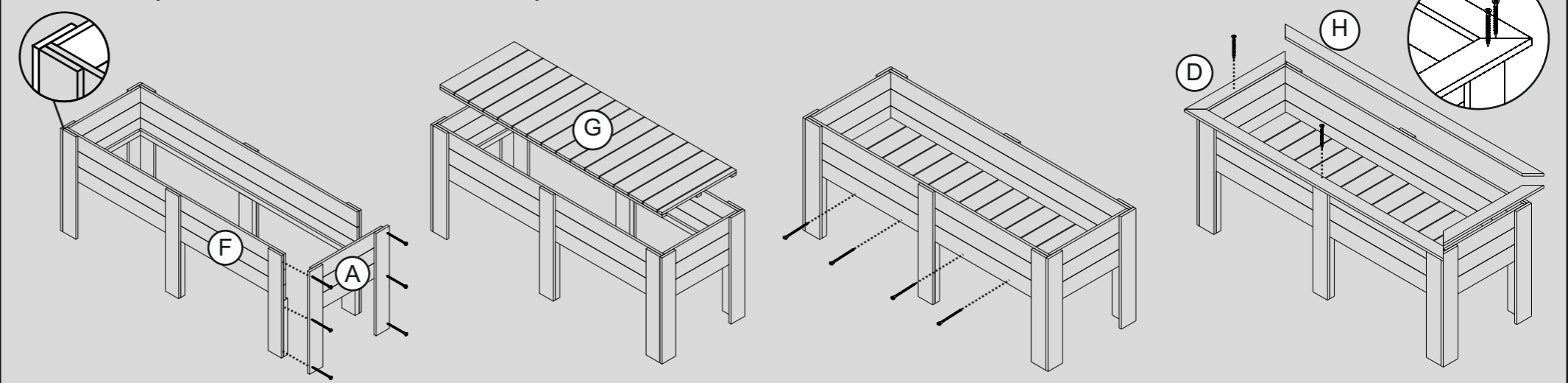
www.forestgarden.co.uk

KGPLA1 (1M Kitchen Garden Planter)



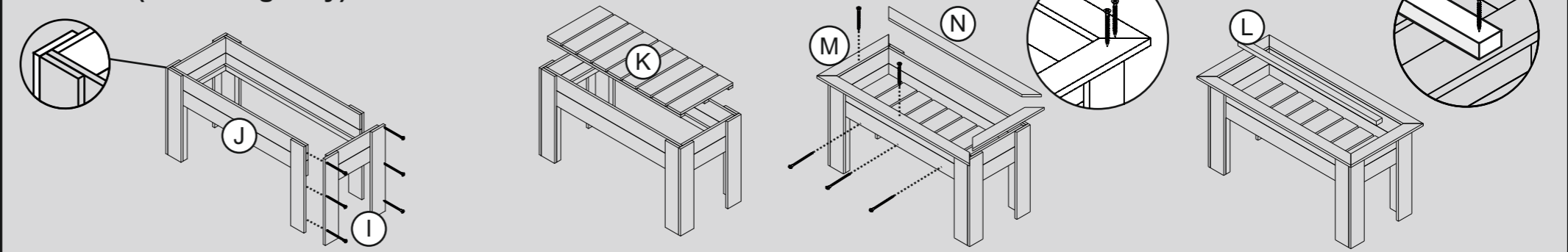
- 1) Place end section against two sides. Secure in place with 3 x 50mm screws placed through end into side as shown. Repeat for other end.
- 2) Place the base into the planter so that it rests on the legs. Secure base in place by screwing through each side of planter into base with 2 x 50mm screws.
Important : Ensure that you pre-drill first and that screws are fully located into the material.
- 3) Place the angled surround pieces on top of the planter. Secure in place with 1 x 40mm screw at each end, and 1 x 40mm screw in the centre as shown.

KGPLA18 (1.8M Kitchen Garden Planter)



- 1) Place end section against two sides. Secure in place with 3 x 50mm screws placed through end into side as shown. Repeat for other end.
- 2) Place the base into the planter so that it rests on the legs. Secure base in place by screwing through each side of planter into base with 4 x 50mm screws.
Important : Ensure that you pre-drill first and that screws are fully located into the material.
- 3) Place the angled surround pieces on top of the planter. Secure in place with 1 x 40mm screw at each end, and 1 x 40mm screw in the centre as shown.

GBTRAY (Grow Bag Tray)



- 1) Place end section against two sides. Secure in place with 3 x 50mm screws placed through end into side as shown. Repeat for other end.
- 2) Place the base into the planter so that it rests on the legs. Secure base in place by screwing through each side of planter into base with 3 x 50mm screws.
Important : Ensure that you pre-drill first and that screws are fully located into the material.
- 3) Place the angled surround pieces on top of the planter. Secure in place with 1 x 40mm screw at each end, and 1 x 40mm screw in the centre as shown.
- 4) Place the 45x28x1052mm batten centrally on top of the planter. Secure each end of the batten to the end fascias with 1 x 40mm screw.

