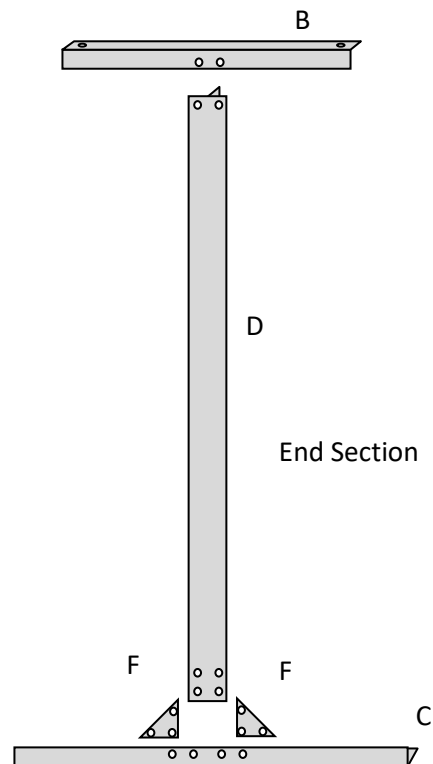


Two Wests Raised Grow Bag Stand

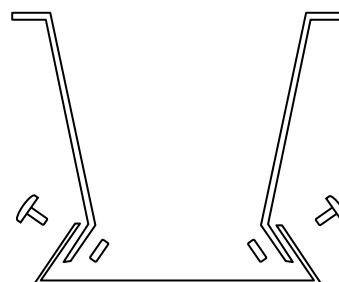
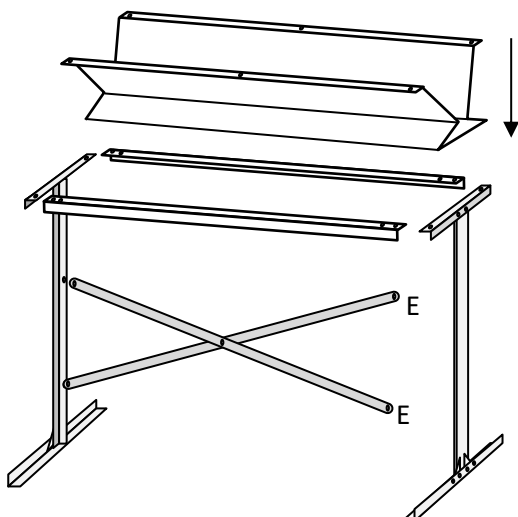


<u>Components</u>		<u>Qty</u>
A. Top Side Angle	1040mm	2
B. Top End Angle	300mm	2
C. Bottom Angle	406mm	2
D. Tee Uprights	900mm	2
E. Bracing Bars	1090mm	2
F. Brace Plates	75mm x 75mm	4
Side Plates		2
Base Plate		1
Nuts & Bolts		39



1. Before assembly please check all the components.
2. Assemble the two end sections as shown, finger tight only, using components B, C, D & F with F placed between C & D. Once all the nuts and bolts are in place square up and tighten fully.
3. Take the two Top Side angles and join the two end sections together finger tight only.

4. Assemble the sides and base plate with the side plates innermost to the base plate.



5. Lower the assembled plates into the frame and bolt in position. Once all the bolts are in square up and tighten fully.