

# Grow Bag Tidy K5 (09)

*Assembly instructions*

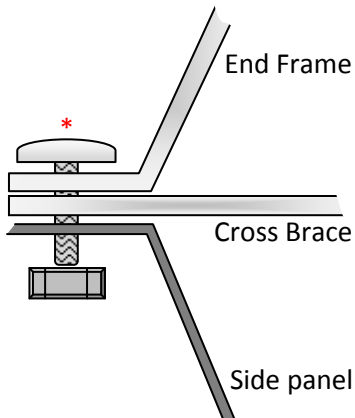
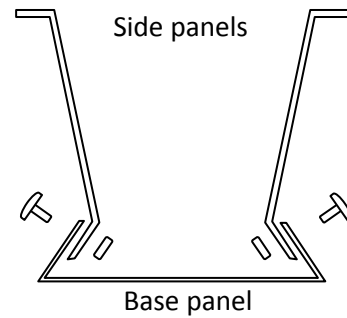


## Components

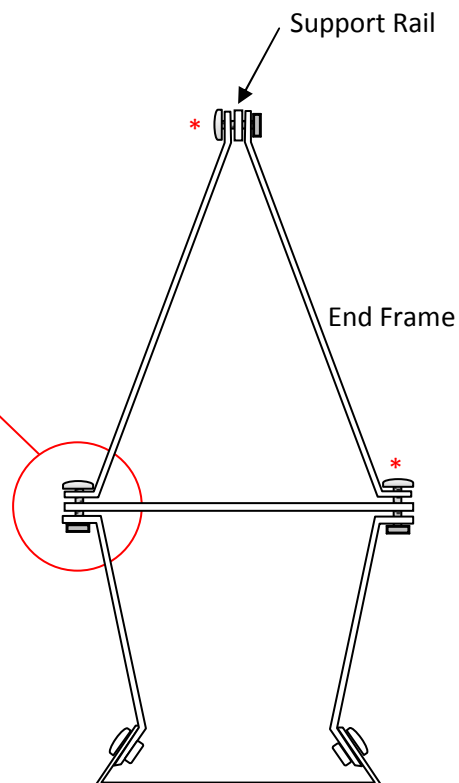
Base Plate	(aluminium sheet)	x 1
Side Plates	(aluminium sheet)	x 2
Support End Frame	(flat bar)	x 4
Support Rail	(flat bar)	x 1
Cross Brace	(flat bar)	x 3
Nuts and Bolts	( $\frac{3}{8}$ " )	x 12
Nuts and Bolts	( $\frac{5}{8}$ " )*	x 6

1. Please check all components.

2. Bolt both side panels on to the inside of the base plate.



3. At both ends, bolt a cross brace and a pair of end frame to the top face of the side panel using the  $\frac{3}{4}$ " bolts.



4. The support rail is bolted in between the top of each pair of support end frames using a  $\frac{3}{4}$ " bolt. The third cross brace is bolted across the top of both side panels after the grow bag has been placed inside the Tidy.