

GROWBAG SUPPORT K4 (01)
Assembly Instructions



COMPONENTS

A 'T' Section 39" Long	2
A* 'T' Section (with fixing holes) 39" Long	1
B 'T' Section 15 ³ / ₄ " Long	2
B* 'T' Section 15 ³ / ₄ " Long (with fixing holes)	2
C Corner Section 36" Long	4
Plastic Tray	1
Nuts & Bolts	28

PLEASE NOTE:

All nuts & bolts should be fastened fingertight only - when the unit is complete tighten them all up.

1. Please check the components.
2. Referring to the diagrams work as follows :
Slide the bolts down the channels of each corner section (two bolts per channel) - fig. A
Join the corner sections together with the 'A' section - fig. B.
Join the two side sections using horizontals 'B' and 'B*' - fig. C.
Bolt on the remaining 'A*' section - fig. D.
3. Square up the structure and tighten.
4. Position the plastic tray.

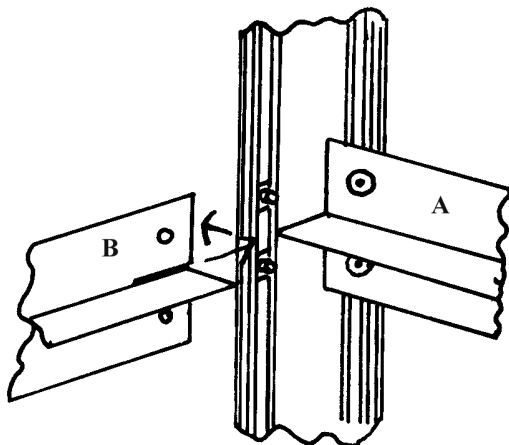
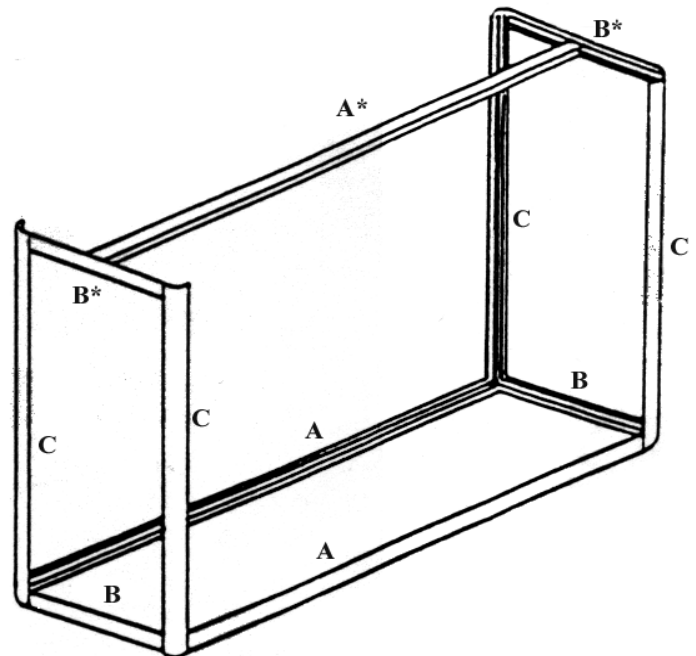
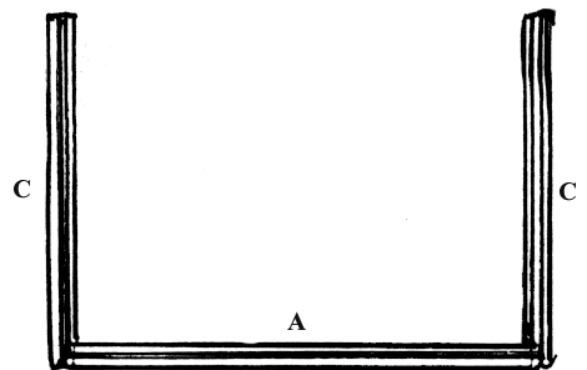
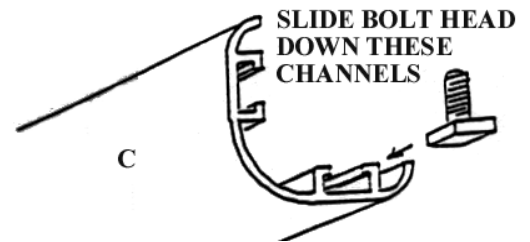


FIG C

FIG D

OTHER USES

When you are not using this unit as a growbag support; remove the tray, turn the framework upside down, reposition the tray at the top and you have a very useful STAGING or WORK AREA.