

## **POTTING TABLE K1 (01)**

### **Assembly Instructions**

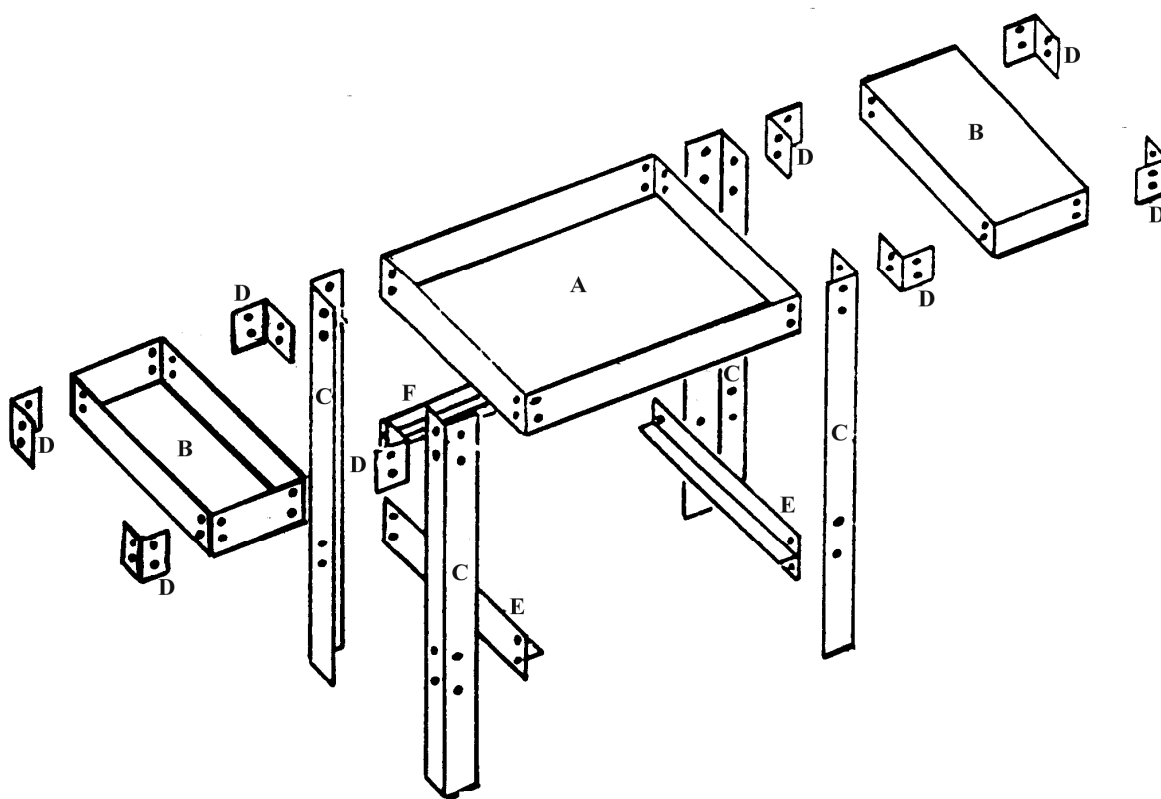
#### **COMPONENTS**

Aluminium Tray	23" x 20" x 2"	A	1
Aluminium Trays	20" x 8" x 2"	B	2
'L' Section	30" x 1" x 1"	C	4
'L' Section	2" x 1" x 1"	D	8
'T' Section	20" x 1" x 2"	E	2
'T' Section	23" x 1" x 2"	F	1
Nuts & Bolts			52
Edging Strip	Ft		8



NB If ordering Potting Station also included are:

- Potting Tidy & Caddy
- Storage Seat
- Compost Sieve
- Compost Scoop



***AND THE TRAYS B CAN BE  
attached either way  
up.***

1. Assemble structure as in diagram. Fasten nuts and bolts finger tight only.
2. When fully assembled square up structure and tighten all nuts and bolts using a 10mm spanner.
3. Position the protective black rubber edging strip over any exposed sharp tray edges.