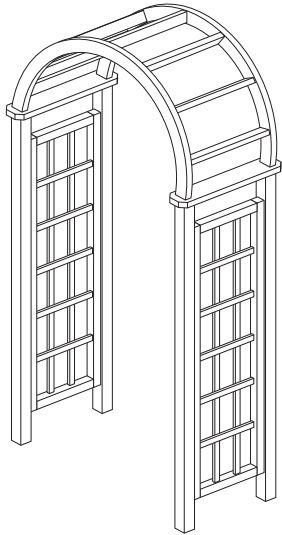


Heavy Duty Round Top Arch

English SS142A

Help Line (Normal Office Hours) 01829 261 121

Assembly Instructions



Before assembly

- We recommend that time is taken to read the instructions before starting assembly, then follow the easy step by step guide. The instruction sheet is only a guide to the assembly. Certain items may not be shown to scale.
- Check all components prior to assembly
- This product should be assembled by no less than two people.
- Never attempt to erect the assembly in high winds.

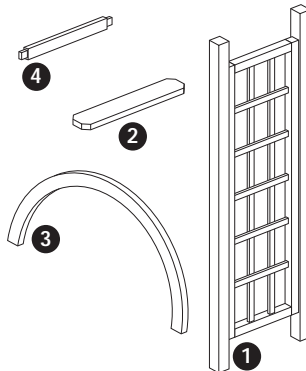


Recommended tools for assembly

- Cross head screw driver
- Step ladder

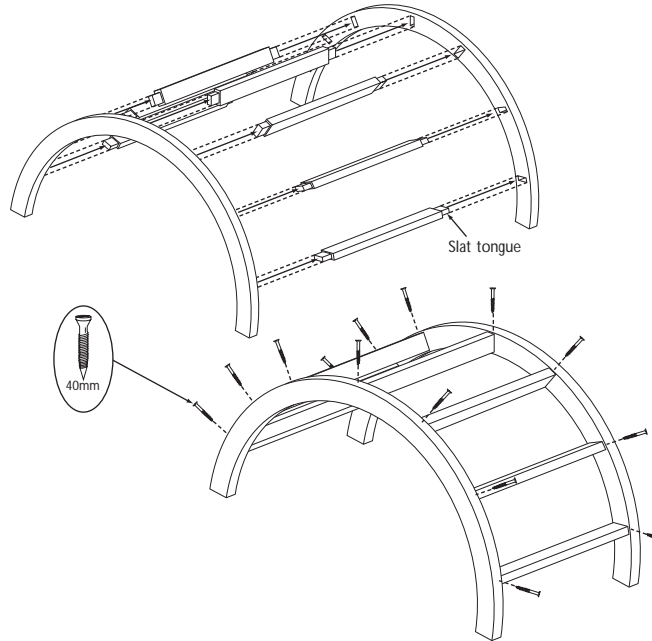
No.	Components	Qty.
1	Uprights	2
2	Upright top piece	2
3	Arch	2
4	Arch slats	7

No.	Fixing kit	Qty.
5	70mm screws	16
6	40mm screws	14



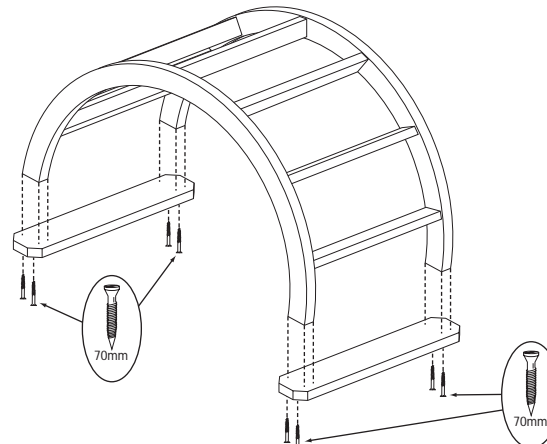
1. Arch top

Slot the tongues of the 7 arch slats into the 2 arches. Secure each slat with 1 x 40mm screws at each end, screw through the arch and into the tongue of the slats.



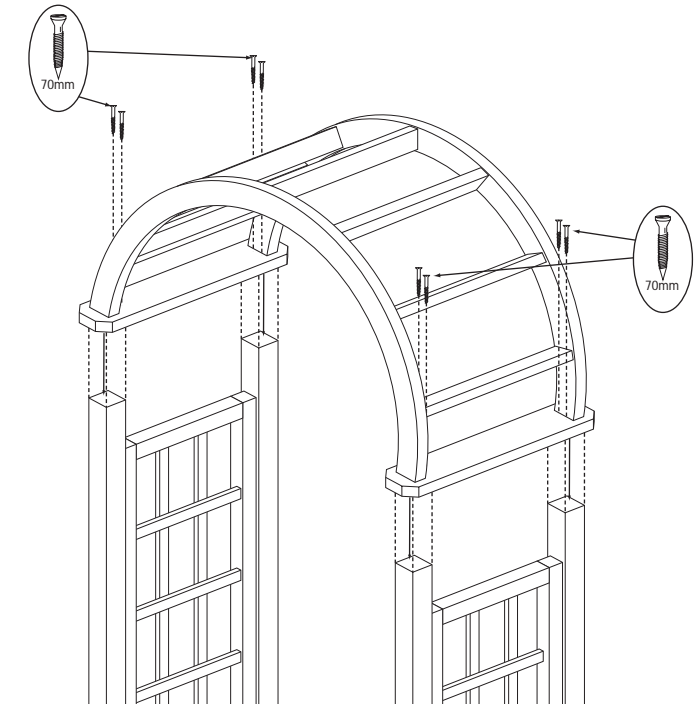
2. upright top pieces

Secure upright top pieces, Centrally to each end of the arch using 2 x 70mm screws per arch foot.



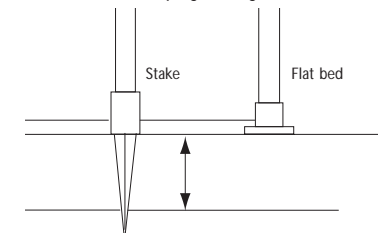
3. Arch to uprights

Position the arch on each upright, ensure the upright is centred under the upright top piece and secure using 2 x 70mm screws per upright leg, screw through the upright top piece into the ends of the uprights.



4. Securing the posts using stakes or flatbeds

If using a metal base fixing to secure the post to the ground, saw off the bottom of the upright to give the desired height of the pergola.



We constantly improve the quality of our products, occasionally the components may differ from the components shown and are only correct at time of printing. We reserve the right to change the specification of our products without prior notice.