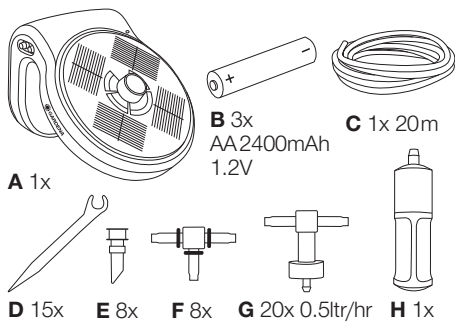


## **aquaBloom Set**

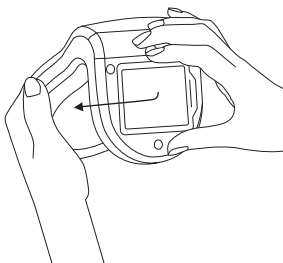
Art. 13300

**EN Operator's Manual**  
Solar-powered irrigation

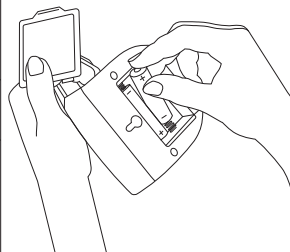
---



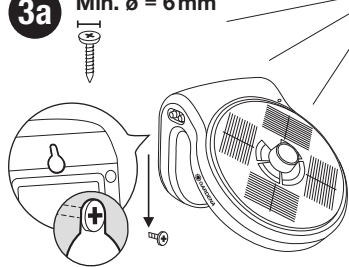
**1** A 1x



**2** B 3x



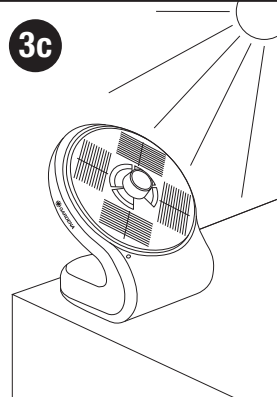
**3a** Min.  $\varnothing = 6\text{mm}$



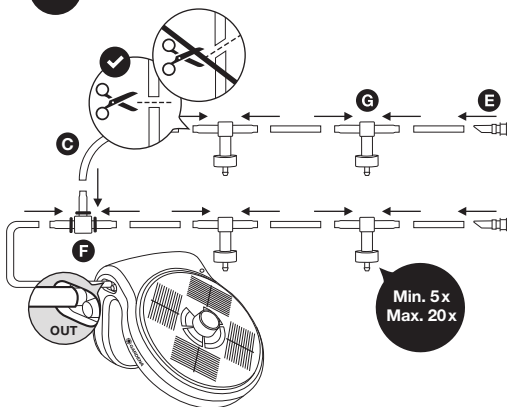
**3b**



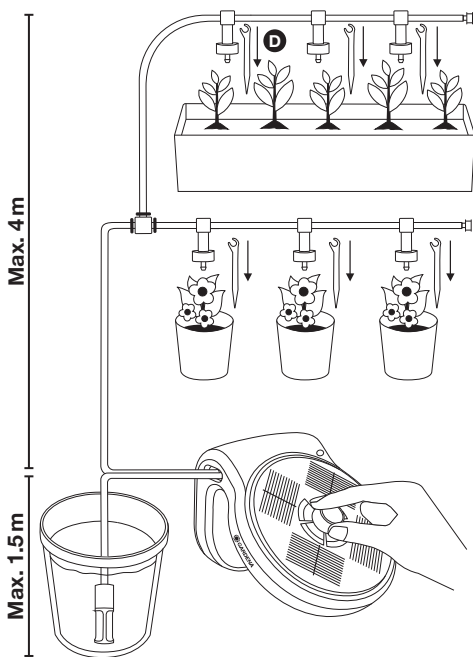
**3c**



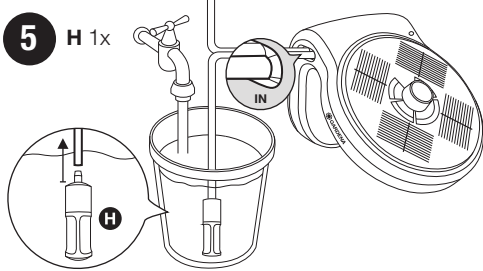
**4** C 1x

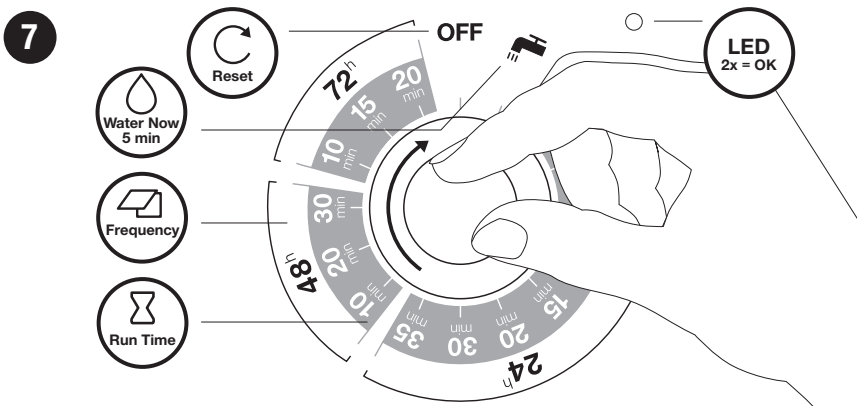
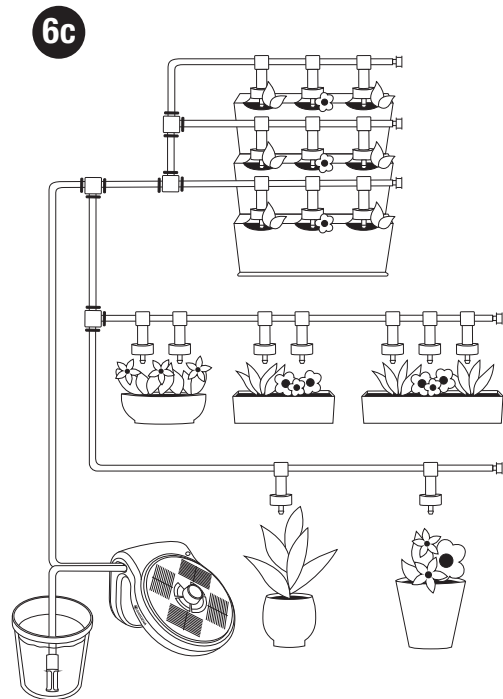
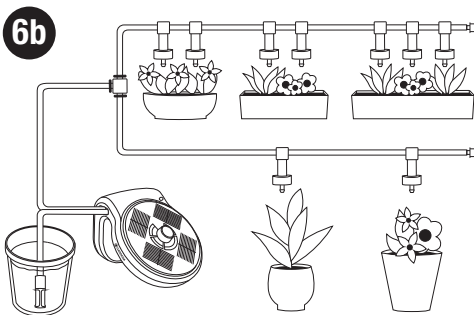
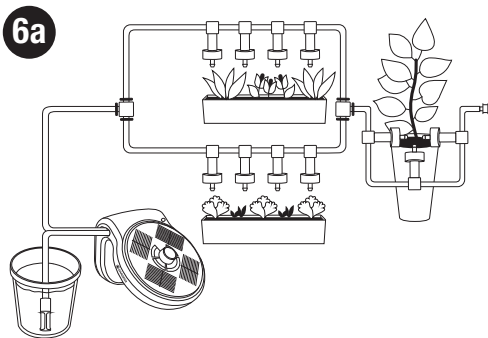


**6** D 2-15x



**5** H 1x





LED	Battery	Nozzle	TIP
Green	Full	2	Thumbs up
Orange	Low	2	Speaker icon → Sun icon / Battery icon
Red	Empty	—	Speaker icon → Sun icon / Battery icon

	Frequency	Run Time	Nozzle	Water
7 days away	24 hrs	15 min	20x	18L
21 days away	24 hrs	15 min	20x	54L



watercalculator  
→ [www.gardena.com/aqua-bloom-calculator](http://www.gardena.com/aqua-bloom-calculator)

# GARDENA aquaBloom Set

## Translation of the original instructions.



This product may be used under supervision, or if instruction regarding the safe use of the product has been provided and the resulting dangers have been understood, by children aged 8 and above, as well as by persons with physical, sensory or mental disabilities or a lack of experience and knowledge. Children must not be allowed to play with the product. Cleaning and user maintenance must not be performed by children

without supervision. The use of this product by young people under the age of 16 is not recommended.

### Intended use:

The solar-powered **GARDENA aquaBloom watering set** is designed for the fully-automatic watering of up to 20 plants, without the need for connection to the water and/or electricity networks.

**DANGER! The pump should not be used for the delivery of salt water, fertilizer, muddy water, corrosive, easily inflammable or explosive liquids (e.g. petrol, paraffin, thinners), oil, heating oil or foodstuffs.**

## 1. SAFETY

### IMPORTANT!

Read the operator's manual carefully before use and keep for future reference.

### Symbols on the product:



Read operator's manual.

### General safety warnings

#### Electrical safety



**CAUTION!**

The aquaBloom must not be allowed to fall into the water.

#### Safe operating practices

The water temperature should not exceed 35 °C.

### Additional safety warnings

#### Electrical safety



**DANGER! Cardiac arrest!**

This product makes an electromagnetic field while it operates. This field may under some conditions interfere with active or passive medical implants. To decrease the risk of conditions that can possibly injure or kill, we recommend persons with medical implants to speak with their physician and the

### medical implant manufacturer before you operate the product.

Check the watering control housing for damages before usage. Don't use a damaged watering control. Please regularly check the connecting line. A damaged watering control should not be used. In the event of damage, have the aquaBloom checked by GARDENA Service. For the watering system, use only rechargeable 1.2 V AA NiMH batteries. Different types of batteries or new and used batteries are not to be mixed.

### Personal safety



**DANGER! Risk of suffocation!**

**Small parts can be easily swallowed. There is also a risk that the polybag can suffocate toddlers. Keep toddlers away when you assemble the product.**

Only use Original GARDENA parts, as the function of the system cannot otherwise be guaranteed. Do not touch the watering control in strong sunshine. Only use the watering system outdoors. Do not use the product while you are tired or under the influence of drugs, alcohol or medication. The product must not be connected directly to the faucet.



**CAUTION!**

**If the required container exceeds 100 litres, you must observe the max. weight load of your balcony (according to DIN 1055).**

## 2. INITIAL OPERATION → (Fig. 1–6)

A video of the setting processes is available here:



**Fig. 3:** Place the water control in a sunny place and avoid shaded areas. When using the aquaBloom for the first time, place it in the sun for 8 hours with the rotary knob turned to “OFF” or charge the rechargeable batteries separately.

## 3. FUNCTION → (Fig. 7)

After setting the watering duration and frequency, the LED will blink twice to confirm the desired program. The first watering operation will start. This will be the future watering start time which will remain unchanged even if the watering duration/frequency are changed. The watering start time can be reset by switching to “OFF”.

**The LED colour indicates the current battery charge status:**

- Green = Ready for watering.
- Orange = Ready for watering. Place the aquaBloom in a sunny spot or charge the batteries with an appropriate battery charger, if no sunshine is expected during your absence.
- Red = Watering not possible anymore. It is necessary to place the aquaBloom in direct sunlight or recharge the batteries separately.

## 4. STORAGE

**To put into storage:**

→ The product must be stored away from children.



1. Remove the batteries.
2. Before the onset of frosty weather, store the watering system in a place that is protected from frost.

**Disposal:**

(in accordance with RL2012/19/EC)



The product must not be disposed of to normal household waste. It must be disposed of in line with local environmental regulations.

**IMPORTANT!**

**Dispose of the product through or via your municipal recycling collection centre.**

**Disposal of the battery:**



The GARDENA battery contains NiMH cells that should not be disposed of with normal household waste at the end of its life.

**IMPORTANT!**

**Dispose of the batteries through or via your municipal recycling collection centre.**

1. Discharge the NiMH cells completely (contact the GARDENA Service).
2. Protect the contacts on the NiMH cells against short circuits.
3. Dispose of the NiMH cells properly.

**NOTE: For any other malfunctions please contact the GARDENA service department. Repairs must only be done by GARDENA service departments or specialist dealers approved by GARDENA.**

## 5. TECHNICAL DATA

<i>Solar-powered irrigation</i>	Unit	Value
<b>Rated Power</b>	W	1
<b>Rated current</b>	A	0.13
<b>Rated voltage</b>	V	3.6
<b>Max. delivery capacity</b>	l/h	10
<b>Max. delivery head</b>	m	4
<b>Max. suction height</b>	m	1.5
<b>Max. media temperature</b>	°C	35
<b>Weight</b>	g	365
<b>Battery capacity at 1.2 V</b>	Ah	2.4

## 6. SERVICE/WARRANTY

### **Service:**

Please contact the address on the back page.

### **Warranty statement:**

In the event of a warranty claim, no charge is levied to you for the services provided.

GARDENA Manufacturing GmbH grants a warranty for all original GARDENA new products for two years from the date of original purchase from the retailer, provided that the devices have been for private use only. This manufacturer's warranty does not apply to products acquired second hand. This warranty includes all significant defects of the product that can be proved to be material or manufacturing faults. This warranty is fulfilled by supplying a fully functional replacement product or by repairing the faulty product sent to us free of charge; we reserve the right to choose between these options. This service is subject to the following provisions:

- The product has been used for its intended purpose as per the recommendations in the operating instructions.
- Neither the purchaser nor a third party has attempted to open or repair the product.

- Only Original GARDENA replacement parts and wear parts have been used for operation.
- Presentation of the receipt.

Normal wear and tear of parts and components (such as blades, blade fixing parts, turbines, light bulbs, V-belts/toothed belts, impellers, air filters, spark plugs), visual changes, wear parts and consumables are excluded from the warranty.

This manufacturer's warranty is limited to replacement and repair of products in accordance with the abovementioned conditions. The manufacturer's warranty does not constitute an entitlement to lodge other claims against us as a manufacturer, such as for damages. This manufacturer's warranty does **not**, of course, affect statutory and contractual warranty claims against the dealer/retailer.

The manufacturer's warranty is governed by the law of the Federal Republic of Germany.

In case of a warranty claim, please return the faulty product, together with a copy of the receipt and a description of the fault, with postage paid to the service address.

## **DE Produkthaftung**

Wir weisen ausdrücklich darauf hin, dass wir in Übereinstimmung mit dem Produkthaftungsgesetz nicht für Schäden haften, die durch unsere Produkte entstehen, wenn diese unsachgemäß und nicht durch einen von uns autorisierten Servicepartner repariert wurden oder wenn keine Original GARDENA Teile oder von uns zugelassene Teile verwendet wurden.

## **EN Product liability**

In accordance with the German Product Liability Act, we hereby expressly declare that we accept no liability for damage incurred from our products where said products have not been properly repaired by a GARDENA-approved service partner or where original GARDENA parts or parts authorised by GARDENA were not used.

## **FR Responsabilité**

Conformément à la loi relative à la responsabilité du fait des produits défectueux, nous déclarons expressément par la présente que nous déclinons toute responsabilité pour les dommages résultant de nos produits, si lesdits produits n'ont pas été correctement réparés par un partenaire d'entretien agréé GARDENA ou si des pièces d'origine GARDENA ou des pièces agréées GARDENA n'ont pas été utilisées.

## **NL Productaansprakelijkheid**

Conform de Duitse wet inzake productaansprakelijkheid verklaren wij hierbij uitdrukkelijk dat wij geen aansprakelijkheid aanvaarden voor schade ontstaan uit onze producten waarbij deze producten niet zijn gerepareerd door een GARDENA-erkende servicepartner of waarbij geen originele GARDENA-onderdelen of onderdelen die door GARDENA zijn goedgekeurd zijn gebruikt.

## **SV Produktsvar**

I enlighet med tyska produktansvarslagar förklarar vi härmed uttryckligen att vi inte åtar oss något ansvar för skador som orsakas av våra produkter där produkterna inte har genomgått korrekt reparation från en GARDENA-godkänd servicepartner eller där originaldelar från GARDENA eller delar godkända av GARDENA inte använts.

## **DA Produktsvar**

I overensstemmelse med den tyske produktansvarslav erklærer vi hermed udtrykkeligt, at vi ikke påtager os noget ansvar for skader på vores produkter, hvis de pågældende produkter ikke er blevet repareret korrekt af en GARDENA-godkendt servicepartner, eller hvor der ikke er brugt originale GARDENA-reservedele eller godkendte reservedele fra GARDENA.

## **FI Tuotevastuu**

Saksan tuotevastuulain mukaisesti emme ole vastuussa laitteiden vaurioista, jos korjauksia ei ole tehnyt GARDENAn hyväksymä huoltoliike tai jos niiden syyinä on muiden kuin alkuperäisten GARDENA-varaosien tai GARDENAn hyväksymien varaosien käyttö.

## **IT Responsabilità del prodotto**

In conformità con la Legge tedesca sulla responsabilità del prodotto, con la presente dichiariamo espressamente che decliniamo qualsiasi responsabilità per danni causati dai nostri prodotti qualora non siano stati correttamente riparati presso un partner di assistenza approvato GARDENA o laddove non siano stati utilizzati ricambi originali o autorizzati GARDENA.

## **ES Responsabilidad sobre el producto**

De acuerdo con la Ley de responsabilidad sobre productos alemana, por la presente declaramos expresamente que no aceptamos ningún tipo de responsabilidad por los daños ocasionados por nuestros productos si dichos productos no han sido reparados por un socio de mantenimiento aprobado por GARDENA o si no se han utilizado piezas originales GARDENA o piezas autorizadas por GARDENA.

## **PT Responsabilidade pelo produto**

De acordo com a lei alemã de responsabilidade pelo produto, declaramos que não nos responsabilizamos por danos causados pelos nossos produtos, caso os tais produtos não tenham sido devidamente reparados por um parceiro de assistência GARDENA aprovado ou se não tiverem sido utilizadas peças GARDENA originais ou peças autorizadas pela GARDENA.

## **PL Odpowiedzialność za produkt**

Zgodnie z niemiecką ustawą o odpowiedzialności za produkt, niniejszym wyraźnie oświadczamy, że nie ponosimy żadnej odpowiedzialności za szkody poniesione na skutek użytkowania naszych produktów, w przypadku gdy naprawa tych produktów nie była odpowiednio przeprowadzana przez zatwierdzonego przez firmę GARDENA partnera serwisowego lub nie stosowano oryginalnych części GARDENA albo części autoryzowanych przez tę firmę.

## **HU Termékszavatosság**

A németországi termékszavatossági törvénnyel összhangban ezzel nyomatékosan kijelentjük, hogy nem vállalunk felelősséget a termékeinkben keletkezett olyan károkért, amelyek valamely GARDENA által jóváhagyott szervizpartner által nem megfelelően végzett javításból adódtak, vagy amely során nem eredeti GARDENA alkatrészeket vagy a GARDENA által jóváhagyott alkatrészeket használtak fel.

## **CS Odpovědnost za výrobek**

V souladu s německým zákonem o odpovědnosti za výrobek tímto výslovně prohlašujeme, že nepřijímáme žádnou odpovědnost za poškození vzniklá na našich výrobcích, kdy zmíněné výrobky nebyly řádně opraveny schváleným servisním partnerem GARDENA nebo kdy nebyly použity originální náhradní díly GARDENA nebo náhradní díly autorizované společností GARDENA.

## **SK Zodpovednosť za produkt**

V súlade s nemeckými právnymi predpismi upravujúcimi zodpovednosť za výrobok týmto výslovne prehlasujeme, že nenesieme žiadnu zodpovednosť za škody spôsobené našimi výrobkami, v prípade ktorých neboli náležité opravy vykonané servisným partnerom schváleným spoločnosťou GARDENA alebo neboli použité diely spoločnosti GARDENA alebo diely schválené spoločnosťou GARDENA.

## **EL Ευθύνη προϊόντος**

Σύμφωνα με τον γερμανικό νόμο περί Ευθύνης για τα Προϊόντα, με το παρόν δηλώνουμε ρητώς ότι δεν αποδεχόμαστε καμία ευθύνη για τυχόν ζημιές που προκύπτουν από τα προϊόντα μας εάν αυτά δεν έχουν επισκευαστεί σωστά από κάποιον εγκεκριμένο συνεργάτη επισκευών της GARDENA ή εάν δεν έχουν χρησιμοποιηθεί αυθεντικά εξαρτήματα GARDENA ή εξαρτήματα εγκεκριμένα από την GARDENA.

## **SL Odgovornost proizvajalca**

V skladu z nemškimi zakoni o odgovornosti za izdelke, izrecno izjavljajo, da ne sprejemamo nobene odgovornosti za škodo, ki jo povzročijo naši izdelki, če teh niso ustrezno popravili GARDENINI odobreni servisni partnerji ali pri tem niso bili uporabljeni originalni GARDENINI nadomestni deli ali GARDENINIMI homologiranimi nadomestnimi deli.

## **HR Pouzdanost proizvoda**

Sukladno njemačkom zakonu o pouzdanosti proizvoda, ovime izričito izjavljujemo kako ne prihvaćamo nikakvu odgovornost za oštećenja na našim proizvodima nastala uslijed neispravnog popravka od strane servisnog partnera kojeg odobrava GARDENA ili uslijed nekorištenja originalnih GARDENA dijelova ili dijelova koje odobrava GARDENA.

## **RO Răspunderea pentru produs**

În conformitate cu Legea germană privind răspunderea pentru produs, declarăm în mod expres prin prezentul document că nu acceptăm nicio răspundere pentru defecțiunile suferite de produsele noastre atunci când acestea nu au fost reparate în mod corect de un atelier de service partener, aprobat de GARDENA, sau când nu au fost utilizate piese GARDENA originale sau piese autorizate de GARDENA.

## **BG Отговорност за вреди, причинени от стоки**

Съгласно германския Закон за отговорността за вреди, причинени от стоки, с настоящото изрично декларираме, че не носим отговорност за щети, причинени от нашите продукти, ако те не са били правилно ремонтирани от одобрен от GARDENA сервиз или ако не са използвани оригинални части на GARDENA или части, одобрени от GARDENA.

## **ET Tootevastutus**

Vastavalt Saksamaa tootevastutusseadusele deklareerime kaesolevaga selgesõnaliselt, et me ei kannu mingisugust vastutust meie toodetest tingitud kahjude eest, kui need tooted ei ole korrektselt parandatud GARDENA heakskiidetud hoolduspartneri poolt või kui parandamisel ei ole kasutatud GARDENA originaalosi või GARDENA volitatud osi.

## **LT Gaminio patikimumas**

Mes aiškiai pareiškiamo, kad, atsižvelgiant į Vokietijos gaminių patikimumo įstatymą, neprisiimame atsakomybės dėl bet kokios žalos, patirtos dėl mūsų gaminių, jeigu jie buvo netinkamai taisomi arba jų dalys buvo pakeistos neoriginaliomis GARDENA dalimis ar nepatvirtintomis dalimis, arba jeigu remonto darbai buvo atliekami ne GARDENA techninės priežiūros centro specialistų.

## **LV Atbildība par produkcijas kvalitāti**

Saskaņā ar Vācijas likumu par atbildību par produkcijas kvalitāti ar šo mēs paziņojam, ka neuzņemamies atbildību par bojājumiem, kas radušies, lietojot mūsu izstrādājumus, kuru remontu nav veicis uzņēmuma GARDENA apstiprināts apkopes partneris vai kuru remontam netika izmantotas oriģinālās GARDENA detaļas vai detaļas, kuru lietošanu apstiprinājis uzņēmums GARDENA.



<p><b>DE EU-Konformitätserklärung</b></p> <p>Der Unterzeichnende bestätigt als Bevollmächtigter des Herstellers, der GARDENA Germany AB, PO Box 7454, S-103 92, Stockholm, Schweden, dass das (die) nachfolgend bezeichnete(n) Geräte(e) in der von uns in Verkehr gebrachten Ausführung die Anforderungen der harmonisierten EU-Richtlinien, EU-Sicherheitsstandards und produktspezifischen Standards erfüllt/erfüllen. Bei einer nicht mit uns abgestimmten Änderung des (der) Geräte(s) verliert diese Erklärung ihre Gültigkeit.</p>	<p><b>HU EU megfelelőségi nyilatkozat</b></p> <p>Az alulírott, a GARDENA Germany AB, Pf. 7454, S-103 92, Stockholm, Svédország megbízott minőségében megerősíti, hogy az átalunk aláírt kiviteltel forgalomba hozott, lent nevezett eszköz(ök) megfelel(nek) az unions irányelvekkel összehangba hozott nemzeti előírások követelményeinek, az EU biztonsági szabványainak és a konkrét termékre vonatkozó szabványoknak. Az eszköz(ök)nek velünk nem egyeztetett módosítása esetén ez a nyilatkozat érvényét veszti.</p>
<p><b>EN EC Declaration of Conformity</b></p> <p>The undersigned hereby certifies as the authorized representative of the manufacturer, GARDENA Germany AB, PO Box 7454, S-103 92, Stockholm, Sweden, that, when leaving our factory, the unit(s) indicated below is/are in accordance with the harmonised EU guidelines, EU standards of safety and product specific standards. This certificate becomes void if the unit(s) is/are modified without our approval.</p>	<p><b>CS EU prohlášení o shodě</b></p> <p>Podepsaná osoba způsobilá výrobem GARDENA Germany AB, PO Box 7454, S-103 92, Stockholm, Švédsko potvrzuje, že v následujícím uvedený(-é) přístroj(-e) v provedení námi uvedeném na trh spĺňajú/splňujú požadavky smernice EU, bezpečnostních norem EU a norem specifických pro výrobek. V případě změny přístroje(-ů), která s námi nebyla dohodnuta, ztrácí toto prohlášení svou platnost.</p>
<p><b>FR Déclaration de conformité CE</b></p> <p>Le soussigné déclare, en tant que mandataire du fabricant, la GARDENA Germany AB, PO Box 7454, S-103 92, Stockholm, Suède, qu'à la sortie de ses usines le matériel nel désigné ci-dessous étaiit conforme aux prescriptions des directives européennes énoncées ci-après et conforme aux règles de sécurité et autres règles qui lui sont applicables dans le cadre de l'Union européenne. Toute modification portée sur ce(s) produit(s) sans l'accord express de notre part supprime la validité de ce certificat.</p>	<p><b>SK EU vyhlásenie o zhode</b></p> <p>Dotu podpísaný potvrdzuje, ako splnomocnený zástupca výrobcu, GARDENA Germany AB, PO Box 7454, S-103 92, Stockholm, Švédsko, že ďalej označené zariadenia/a vo vyhlásení uvedenom na trh spĺňajú/ú požiadavky harmonizačných smerníc EU, bezpečnostných štandardov EU a predpisov, špecifických pre dané výrobky. Pri zmene zariadenia/zariadení, ktorá nebola odsúhlasená našou spoločnosťou, stráca toto vyhlásenie platnosť.</p>
<p><b>NL EU-conformiteitsverklaring</b></p> <p>De ondergetekende bevestigt als gevolmachtigde van de fabrikant, GARDENA Germany AB, PO Box 7454, S-103 92, Stockholm, Zwen, dat het/ de onderstaand vermelde apparaat/apparaten in de door ons in de handel gebrachte uitvoering voldoet/voldoen aan de eisen van de geharmoniseerde EU-richtlijnen, EU-veiligheidsnormen en productspecifieke normen. Bij een niet met ons afgestemde verandering van het apparaat/de apparaten verliest deze verklaring haar geldigheid.</p>	<p><b>EL Δήλωση συμμόρφωσης ΕΕ</b></p> <p>Ο υπογεγραμμένος βεβαιώνει ως πληρεξούσος του κατασκευαστή, της εταιρείας GARDENA Germany AB, T.Γ. 7454, S-103 92, Στοκχόλμη, Σουηδία, ότι η (οι) παρακάτω αναφερόμενη(ες) συσκευή(ές) στην έκδοση που τίθεται από εμάς ως κυκλοφορία πληροί/πληρούν τις απαιτήσεις των εναρμονισμένων οδηγιών της ΕΕ, πρώτων ασφαλείας της ΕΕ και των ειδικών για το προϊόν πρώτων. Σς περίπτωση τροποποίησης της (των) συσκευή(ών) χωρίς προηγούμενη συνεννόηση με την εταιρεία μας παύει να ισχύει η δήλωση.</p>
<p><b>SV EU-försäkran om överensstämmelse</b></p> <p>Undertecknad intygar som befulldäktad förvaltare för tillverkaren, GARDENA Germany AB, PO Box 7454, S-103 92, Stockholm, Sverige, att nedan angiven apparat/nedan angivna apparater i det utförande vi har släppt på marknaden, uppfyller fördringarna i de harmoniserade EU-direktiv, EU-säkerhetsstandarderna och de produktspecifika standarderna. Denna försäkran upphör att gälla vid en ändring av apparaten/apparaterna som inte har stämts av med oss.</p>	<p><b>SL Izjava EU o skladnosti</b></p> <p>Spodaj podpisani kot pooblaščenec proizvajalca GARDENA Germany AB, PO Box 7454, S-103 92, Stockholm, Švedska, potrjuje, da v nadaljevanju označene naprave v izvedbi, v kakršni smo jih dali v promet, izpolnjujejo zahteve uskladenih direktiv EU, varnostnega standarda EU in standardov, ki veljajo za posamezne izdelke. V primeru spremembe naprave, ki ni usklajena z nami, ta izjava neha veljati.</p>
<p><b>DA EU-overensstemmelseerklæring</b></p> <p>Underskriveren bekræfter som fuldmægtig for producenten, GARDENA Germany AB, PO Box 7454, S-103 92, Stockholm, Sverige, at nedan angivne apparat/nedan angivne apparater i den af os markedsførte udførelse opfylder kravene i de harmoniserede EU-direktiver, EU-sikkerhedsstandarder og produktspecifikke standarder. Foretages en ændring af apparatet/apparatene, der ikke er aftalt med os, mister denne erklæring sin gyldighed.</p>	<p><b>HR EU izjava o sukladnosti</b></p> <p>Dojle potpisani kao opunomoćenik proizvođača, tvrtke GARDENA Germany AB, PO Box 7454, S-103 92, Stockholm, Švedska, potvrđujemo da niže navedeni uređaji(i) odgovarajuće izvedbe koje/kolje smo iznijeli na tržište ispunjavaju kriterije usklađenih direktiva EU i sigurnosnih standarda EU kao i standarda koji se tiču proizvoda. Ova izjava gubi valjanost u slučaju izmjena uređaja koje nisu prethodno ugovorene s nama.</p>
<p><b>FI EU-vaatimustenmukaisuusvakuutus</b></p> <p>Alla kirjoittanut vahvistaa valmistajan, GARDENA Germany AB, PO Box 7454, S-103 92, Tukholma, Ruotsi, valtuuttamansa henkilönä, että seuraava laite täyttää/ seuraavat laitteet täyttävät meidän toimittamassamme yhdenmukaistettujen EU-direktiivien, EU-turvallisuusmääräysten ja tuotekohtaisten standardien vaatimukset. Laitteen/laitteiden muutoksissa, joista ei ole sovittu meidän kanssamme, menettää tämä selvitys voimassaolonsa.</p>	<p><b>RO Declarație de conformitate UE</b></p> <p>Semnatarul, in calitate de se împuternicit al producatorului GARDENA Germany AB, PO Box 7454, S-103 92, Stockholm, Suedia, confirmă că aparatul (aparatele) descrise în cele ce urmează, în execuția pusă de noi pe piață îndeplinesc (îndeplinesc) cerințele directivei/lor armonizate UE, ale standardelor de siguranță UE și ale standardelor specifice produsului. În cazul modificării fără aprobarea noastră prealabilă a aparatului (aparator), acasă declarație își pierde valabilitatea.</p>
<p><b>IT Dichiarazione di conformità UE</b></p> <p>Il sottoscritto, in quanto soggetto autorizzato dal produttore, GARDENA Germany AB, PO Box 7454, S-103 92, Stoccolma, Svezia, dichiara che l'apparecchio/gli apparecchi di seguito denominato/i, nella versione da noi immessa in commercio, soddisfa/no i requisiti delle direttive UE armonizzate, degli standard di sicurezza europei e degli standard specifici per il prodotto. La presente dichiarazione perde di validità in caso di modifica dell'apparecchio/degli apparecchi non concordata con noi.</p>	<p><b>BG ЕС-Декларация за съответствие</b></p> <p>Допълнителният утвърдителят като пълномощник на производителя GARDENA Germany AB, PO Box 7454, S-103 92, Стокхолм, Швеция, че по-долу описаният(ите) уред(и) във варианта на изпълнение пуснат от нас на пазара изпълнява/изпълняват изискванията на хармонизираните ЕС-директиви, ЕС-норми за безопасност и специфичните норми за продукцията. В случай на промяна на уред(ите), която не е съгласувана с нас, тази декларация губи своята валидност.</p>
<p><b>ES Declaración de conformidad de la UE</b></p> <p>El firmante confirma, en calidad de apoderado del fabricante GARDENA Germany AB, PO Box 7454, S-103 92, Estocolmo (Suecia), que el/los aparato(s) mencionado(s) a continuación cumple(n), en la versión lanzada al mercado por nuestra empresa, los requisitos de las directivas de la UE armonizadas, los estándares de seguridad de la UE y los estándares específicos del producto. La presente declaración perderá su validez si se modifica(n) el/los aparato(s) sin previa aprobación por nuestra parte.</p>	<p><b>ET EL-I vastavusdeklaratsioon</b></p> <p>Alla kirjutanu kinnitab tootja, GARDENA Germany AB, PO Box 7454, S-103 92, Stockholm, Rootsi, poolt valmistatud isikuna, et järgnevalt nimetatud seade (seadmed) täidab (täidavad) meie poolt turule toodud versiooni kujul harmoneeritud EL-i direktiivide, EL-i ohutusstandardite ja tootepõhiste standardite nõud. Seadme (seadmete) meiega kooskõlastamata muudatuste tegemise korral kaotab käesolev deklaratsioon oma kehtivuse.</p>
<p><b>PT Declaração CE de Conformidade</b></p> <p>O abaixo-assinado, na qualidade de representante do fabricante, GARDENA Germany AB, PO Box 7454, S-103 92, Stockholm, Suécia, confirma que o(s) aparelho(s) a seguir designado(s) no modelo lançado por nós no mercado cumpre/cumprem os requisitos das diretivas UE harmonizadas, as normas de segurança UE e as normas específicas para estes produtos. Esta declaração perde a sua validade se forem realizadas alterações no(s) aparelho(s) sem o nosso consentimento.</p>	<p><b>LT ES atitikties deklaracija</b></p> <p>Pasirašantis, kaip gamintojo, GARDENA Germany AB, PO Box 7454, S-103 92, Stokholmas, Švedija, įgaliojatis atstovas patvirtina, kad žemiau nurodyto (-ų) prietaiso (-ų) modelio, kuris buvo pagaminti mūsų gamykloje, atitinka direktyvas ES direktyvas, ES saugumo standartus ir specifinius gamintojo standartus. Atlikus bet kokį pakeitimą (-ų) pakeitimą, kuris nėra suderintas su mumis, ši deklaracija praranda galiojimą.</p>
<p><b>PL Deklaracja zgodności UE</b></p> <p>Niżej podpisany potwierdza jako upoważniony przedstawiciel producenta, spółki GARDENA Germany AB, PO Box 7454, S-103 92, Stokholm, Szwecja, że określone poniżej urządzenie/-nia w wersji wprowadzonej przez nas do obrotu spełnia/-niaj wymogi harmonizowanych dyrektyw UE, norm bezpieczeństwa UE oraz norm dotyczących konkretnych produktów. Niniejsza deklaracja traci ważność w przypadku wprowadzania niezgodnych z nami zmian urządzenia/ń.</p>	<p><b>LV ES atbilstības deklarācija</b></p> <p>Zemā parakštiejis personāla kā ražotāja, uzņēmuma GARDENA Germany AB, PO Box 7454, S-103 92, Stokholma, Zviedrija, pilnvarotais pārstāvis apstiprina, ka tālāk norādītaj(-s) ierīcē(-s) izpildījumā, kādā mēs to (tās) esam laidījuši (tās) atbilst saskaņotajām ES direktīvām, ES drošības standartiem un konkrētajām produktam noteiktajām standartiem.</p>



**Deutschland / Germany**

**GARDENA**  
Manufacturing GmbH  
Central Service  
Hans-Lorenser-Straße 40  
D-89079 Ulm  
Produktfragen:  
(+49) 731 490-123  
Reparaturen:  
(+49) 731 490-290  
service@gardena.com  
http://www.gardena.com

**Albania**

**KRAFT SHPK**  
Autostrada Tirane-Durres  
Km 7  
1051 Tirane

**Argentina**

**ROBERTO C. RUMBO S.R.L.**  
Predio Norlog  
Lote 7  
Benavidez, ZC:1621  
Buenos Aires  
ventas@rumbosrl.com.ar

**Australia**

**Husqvarna Australia Pty. Ltd.**  
Locked Bag 5  
Central Coast BC  
NSW 2252  
Phone: (+61) (0) 2 4352 7400  
customer.service@husqvarna.com.au

**Austria / Österreich**

**Husqvarna Austria GmbH**  
Industriezeile 36  
4010 Linz  
Tel.: (+43) 732 77 01 01-485  
service.gardena@husqvarnagroup.com

**Azerbaijan**

**Firm Progress**  
a. Aliyev Str. 26A  
1052 Baku

**Belarus**

**Private Enterprise**  
"Master Garden"  
Minsk  
Sharangovich str., 7a  
Phone: (+375) 17 257-00-33  
Mob.: (+375) 29 676-16-09  
mg@mastergarden.by

**Belgium**

**Husqvarna Belgium nv**  
Gardena Division  
Leuvensesteenweg 542  
Planet II E  
1930 Zaventem  
België

**Bosnia / Herzegovina**

**SILK TRADE D.o.o.**  
Industrijska zona Bukva bb  
74260 Tešanj

**Brazil**

**Husqvarna do Brasil Ltda**  
Av. Francisco Matarazzo,  
1400 - 19º andar  
São Paulo - SP  
CEP: 05001-903  
Tel: 0800-112252  
marketing.br.husqvarna@husqvarna.com.br

**Bulgaria**

**AGROLAND България АД**  
бул. 8 Декември, №13  
Офис 5  
1700 Студентски град  
София  
Тел.: (+359) 24 666 610  
info@agroland.eu

**Canada / USA**

**GARDENA Canada Ltd.**  
100 Summerlea Road  
Brampton, Ontario L6T 4X3  
Phone: (+1) 905 792 9330  
info@gardena.canada.com

**Chile**

**REPRESENTACIONES**  
JCE S.A.  
Av. Del Valle Norte 857,  
Piso 4  
Santiago RM  
Phone: (+56) 2 24142560  
contacto@jce.cl

**China**

**Husqvarna (Shanghai)**  
Management Co., Ltd.  
富世华 (上海) 管理有限公司  
3F, Beng Square B,  
No207, Song Hong Rd.,  
Chang Ning District,  
Shanghai  
PRC. 200335  
上海市市长宁区沁虹路207号明  
基广场B座3楼. 邮编: 200335

**Colombia**

**Husqvarna Colombia S.A.**  
Calle 18 No. 68 D-31, zona  
Industrial de Montevideo  
Bogotá, Cundinamarca  
Tel. 571 2922700 ext. 105  
jairo.salazar@husqvarna.com.co

**Costa Rica**

**Compania Exim**  
Euroberoamericana S.A.  
Los Colegios, Moravia,  
200 metros al Sur del Colegio  
Saint Francis - San José  
Phone: (+506) 297 68 83  
exim\_euro@racsa.co.cr

**Croatia**

**Husqvarna Austria GmbH**  
Industriezeile 36  
4010 Linz  
Tel.: (+43) 732 77 01 01-485  
service.gardena@husqvarnagroup.com

**Cyprus**

**Med Marketing**  
17 Digeni Akritia Ave  
P.O. Box 27017  
1641 Nicosia

**Czech Republic**

**Husqvarna Česko s.r.o.**  
Túrkova 2319/5b  
149 00 Praha 4 - Chodov  
Bezplatná infolinka:  
800 100 425  
servis@cz.husqvarna.com

**Denmark**

**GARDENA DANMARK**  
Lejrevj 19, st.  
3500 Værløse  
Tlf.: (+45) 70264770  
husqvarna@husqvarna.dk  
www.gardena.com/dk

**Dominican Republic**

**BOSQUESA, S.R.L**  
Carretera Santiago Licey  
Km. 5 ½  
Esquina Copal II,  
Santiago  
Dominican Republic  
Phone: (+809) 736-0333  
josebosquesa@claro.net.do

**Ecuador**

**Husqvarna Ecuador S.A.**  
Arupos E1-181 y 10 de  
Agosto Quito, Pichincha  
Tel. (+593) 22800739  
francisco.jacom@husqvarna.com.ec

**Estonia**

**Husqvarna Eesti OÜ**  
Valdeku 132  
EE-11216 Tallinn  
info@gardena.ee

**Finland**

**Oy Husqvarna Ab**  
Gardena Division  
Lauttarhankatu 8 B / PL 3  
00581 HELSINKI  
www.gardena.fi

**France**

**Husqvarna France**  
9 111 Allée des pierres mayettes  
92635 Gennevilliers Cedex  
France  
http://www.gardena.com/fr  
N° AZUR: 0 810 00 78 23  
(Prix d'un appel local)

**Georgia**

**Transporter LLC**  
113b Bellashvili street  
0159 Tbilisi, Georgia

**Great Britain**

**Husqvarna UK Ltd**  
Preston Road  
Aycliffe Industrial Park  
Newton Aycliffe  
County Durham  
DL5 6UP  
info.gardena@husqvarna.co.uk

**Greece**

**Π. ΠΑΠΑΔΟΠΟΥΛΟΣ ΑΕΒΕ**  
Λεωφ. Αθηνών 92  
Αθήνα  
T.K. 104 42  
ΕΛΛΑΔΑ  
Τηλ. (+30) 210 5193 100  
info@papadopoulos.com.gr

**Hungary**

**Husqvarna Magyarországi Kft.**  
Ezred u. 1-3  
1044 Budapest  
Telefon: (+36) 1 251-4161  
vevozszolgalt.husqvarna@husqvarna.hu

**Iceland**

**BYKO ehf.**  
Bildshófa 20  
110 Reykjavik

**Ireland**

**Husqvarna UK Ltd**  
Preston Road  
Aycliffe Industrial Park  
Newton Aycliffe  
County Durham  
DL5 6UP  
info.gardena@husqvarna.co.uk

**Italy**

**Husqvarna Italia Spa**  
Centro Direzionale Pianum  
Via del Lavoro 2, Scala B  
22036 ERBA (CO)  
Tel. (+39) 031.4147700  
assistenza.italia@it.husqvarna.com

**Japan**

**Husqvarna**  
Zenoah Co. Ltd. Japan  
1-9 Minamidai, Kawagoe  
350-1165 Saitama  
Japan  
gardena-jp@husqvarnagroup.com

**Kazakhstan**

**LAMED Ltd.**  
155/11, Tazhibayevol Str.  
050060 Almaty  
IP Schmidt  
Abayavenue 3B  
110 005 Kostanay

**Korea**

**Kyung Jin Trading CO., LTD.**  
107-4, SunDuk Bid.,  
YangJae-dong,  
Secho-gu,  
Seoul, (zipcode: 137-891)  
Phone: (+82) (0)2 574-6300

**Latvia**

**Husqvarna Latvija SIA**  
Ulbrokas 19A  
LV-1021 Riga  
info@gardena.lv

**Lithuania**

**UAB Husqvarna Lietuva**  
Atleities pl. 77C  
LT-52104 Kaunas  
info@gardena.lt

**Luxembourg**

**Magasins Jules Neuberger**  
39, rue Jacques Stas  
Luxembourg-Gasperich 2549  
Case Postale No. 12  
Luxembourg 2010  
Phone: (+352) 40 14 01  
api@neuberger.lu

**Mexico**

**AFOSA**  
Av. Lopez Mateos Sur # 5019  
Col. La Calma 45070  
Zapopan, Jalisco  
Mexico  
Phone: (+52) 33 3818-3434  
cornejo@afosa.com.mx

**Moldova**

**Convel S.R.L.**  
290A Muncesti Str.  
2002 Chisinau

**Netherlands**

**Husqvarna Nederland B.V.**  
GARDENA Division  
Postbus 50131  
1305 AC ALMERE  
Phone: (+31) 36 521 00 10  
info@gardena.nl

**Neth. Antilles**

**Jonka Enterprises N.V.**  
Sta. Rosa Weg 196  
P.O. Box 8200  
Curaçao  
Phone: (+599) 9 767 66 55  
pgm@jonka.com

**New Zealand**

**Husqvarna New Zealand Ltd.**  
PO Box 76-437  
Manukau City 2241  
Phone: (+64) (0) 9 9202410  
support.nz@husqvarna.co.nz

**Norway**

**Husqvarna Norge AS**  
Gardena Division  
Traskemeitven 36  
1708 Sarpsborg  
info@gardena.no

**Peru**

**Husqvarna Perú S.A.**  
Ir. Ramón Cárcamo 710  
Lima 1  
Tel.: (+51) 1 3320 400 ext. 416  
juan.remuzgo@husqvarna.com

**Poland**

**Husqvarna**  
Poland Spółka z o.o.  
ul. Wysockiego 15 b  
03-371 Warszawa  
Phone: (+48) 22 330 96 00  
gardena@husqvarna.com.pl

**Portugal**

**Husqvarna Portugal, SA**  
Lagoa - Albarraque  
2635 - 595 Rio de Mouro  
Tel.: (+351) 21 922 85 30  
Fax : (+351) 21 922 85 36  
info@gardena.pt

**Romania**

**Madex International Srl**  
Soseava Odaii 117 - 123,  
RO 013603 București, S 1  
Phone: (+40) 21 352 75 03  
madex@ines.ro

**Russia / Россия**

**ООО „Мусковская“**  
141400, Московская обл.,  
г. Химки,  
улица Ленинградская,  
владение 39, стр.6  
Бизнес Центр  
„Химки Бизнес Парк“,  
помещение OB02\_04  
http://www.gardena.ru

**Serbia**

**Domel d.o.o.**  
Autoput za Novi Sad bb  
11273 Belgrade  
Phone: (+381) 11 848 88 12  
miroslav.jejina@domel.rs

**Singapore**

**Hy-Ray PRIVATE LIMITED**  
40 Jalan Pemimpin  
# 02-08 Tat Ann Building  
Singapore 577185  
Phone: (+65) 6253 2277  
shiyang@hyray.com.sg

**Slovak Republic**

**Husqvarna Cesko s.r.o.**  
Túrkova 2319/5b  
149 00 Praha 4 – Chodov  
Bezplatná infolinka: 800 154 044  
servis@sk.husqvarna.com

**Slovenia**

**Husqvarna Austria GmbH**  
Industriezeile 36  
4010 Linz  
Tel.: (+43) 732 77 01 01-485  
service.gardena@husqvarnagroup.com

**South Africa**

**Husqvarna South Africa (Pty) Ltd**  
Postnet Suite 250  
Private Bag 36,  
Cascades, 3202, South Africa  
Phone: (+27) 33 846 9700  
info@gardena.co.za

**Spain**

**Husqvarna España S.A.**  
Calle de Rivas nº 10  
28052 Madrid  
Phone: (+34) 91 708 05 00  
atencioncliente@gardena.es

**Suriname**

**Deto Handelmaatschappij N.V.**  
Kernkampweg 72-74  
P.O.Box: 12782  
Paramaribo – Suriname  
South America  
Phone: (+597) 438050  
www.deto.sr

**Sweden**

**Husqvarna AB / GARDENA Sverige**  
Drottninggatan 2  
561 82 Huskvarna Sverige  
**Switzerland / Schweiz**  
Husqvarna Schweiz AG  
Consumer Products  
Industriestrasse 10  
5506 Mägenwil  
Phone: (+41) (0) 62 887 37 90  
info@gardena.ch

**Turkey**

**Dost Bahçe Diş Ticaret**  
Mümissilik A.Ş  
Yunus Mah. Adil Sok. No:3  
Ic Kapi No: 1 Kartal  
34873 Istanbul  
Phone: (+90) 216 38 93 939  
info@dostbahce.com.tr

**Ukraine / Україна**

**ТОВ „Ужсварна Україна“**  
вул. Васильківська, 34,  
офис 204-  
03022, м. Київ  
Тел. (+38) 0 800 504 804  
info@gardena.ua

**Uruguay**

**FELI SA**  
Entre Ríos 1083 CP 11800  
Montevideo – Uruguay  
Tel.: (+598) 22 03 18 44  
info@felisa.com.uy

**Venezuela**

**Corporación Casa y Jardín C.A.**  
Av. Caroni, Edif. Trezmen, PB.  
Cincoas de Bello Monte,  
1050 Caracas.  
Tlf.: (+58) 212 992 33 22  
info@casayjardin.net.ve

13300-20.960.04/1020  
© GARDENA Manufacturing GmbH  
D-89079 Ulm  
http://www.gardena.com