

**IMPORTANT, RETAIN FOR FUTURE REFERENCE: READ CAREFULLY.**

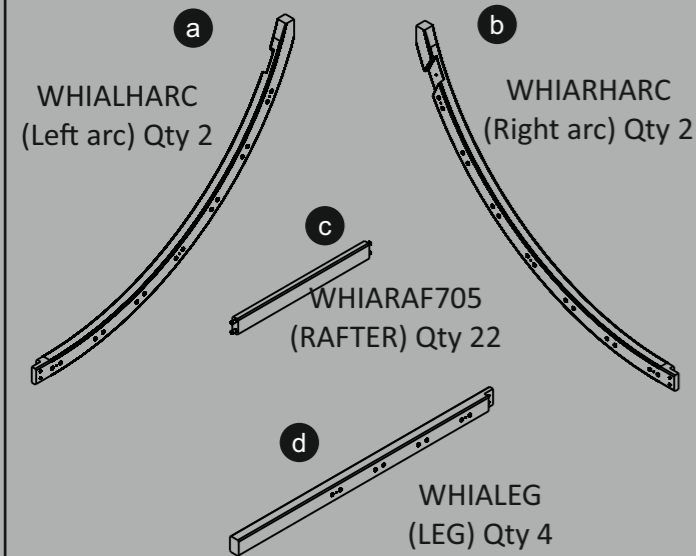
Check all parts are present prior to assembly.

- The timber in this product is pressure treated to ensure longevity and protection against rot. This may leave colour variations, but these will even out as the moisture content stabilises.
- Timber is a natural material and will shrink and swell as a result of varying moisture content.
- Keep all plastic bags and parts away from children.
- Regularly check the fixings are tight and secure.

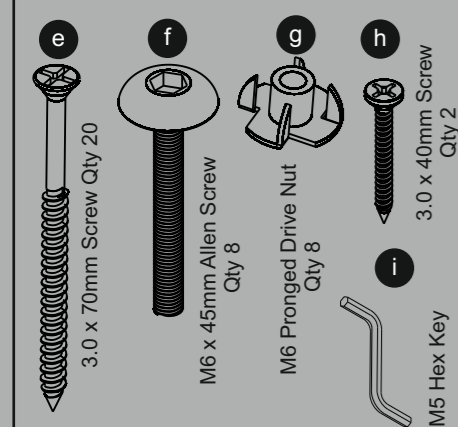
In line with your statutory rights, please check all parts prior to assembly, as assembly of damaged parts may be deemed to be acceptance and this may affect the remedies you are entitled to. The manufacturer does not accept any liability for injury or damage to property caused by this product not being constructed in accordance with our instructions or being altered in any way.

Technical Help line: **0333 7777 089**  
8:30am - 5.00pm Monday to Friday

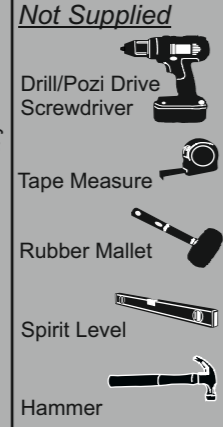
**PARTS LIST (WHITA07)**



**FIXING PACK (WHITBYFP) *Not to scale***



**Tools Required**

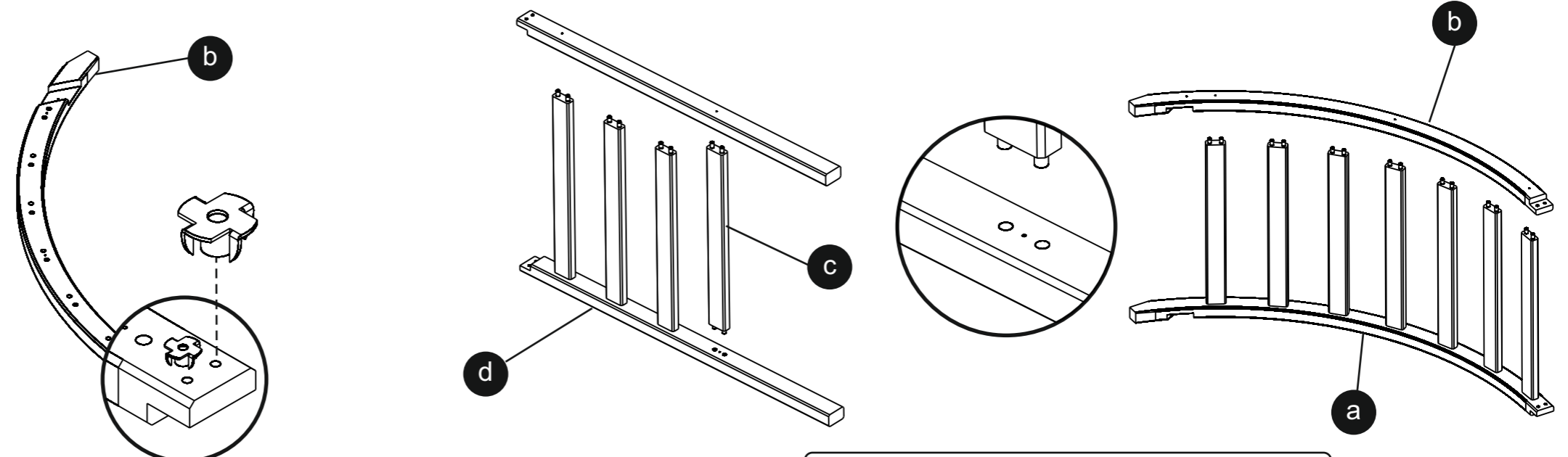


This article contains biocidal products to give protection against wood destroying insects & wood rotting fungi. Contents may vary.  
May contain : Basic copper carbonate (Copper (II) carbonate – Copper (II) hydroxide (1:1), Cupric oxide, Copper hydroxide carbonate, oxyethyl, ammoniumpropionate, Copper HDO, Propiconazole, Tebuconazole, Boric acid, Benzalkonium chloride.  
Wear gloves when handling freshly treated wood. Avoid breathing dust when cutting treated or untreated wood. Dispose of off-cuts responsibly – do not burn.

**Important:** Assembly of this product requires a minimum of two adults.

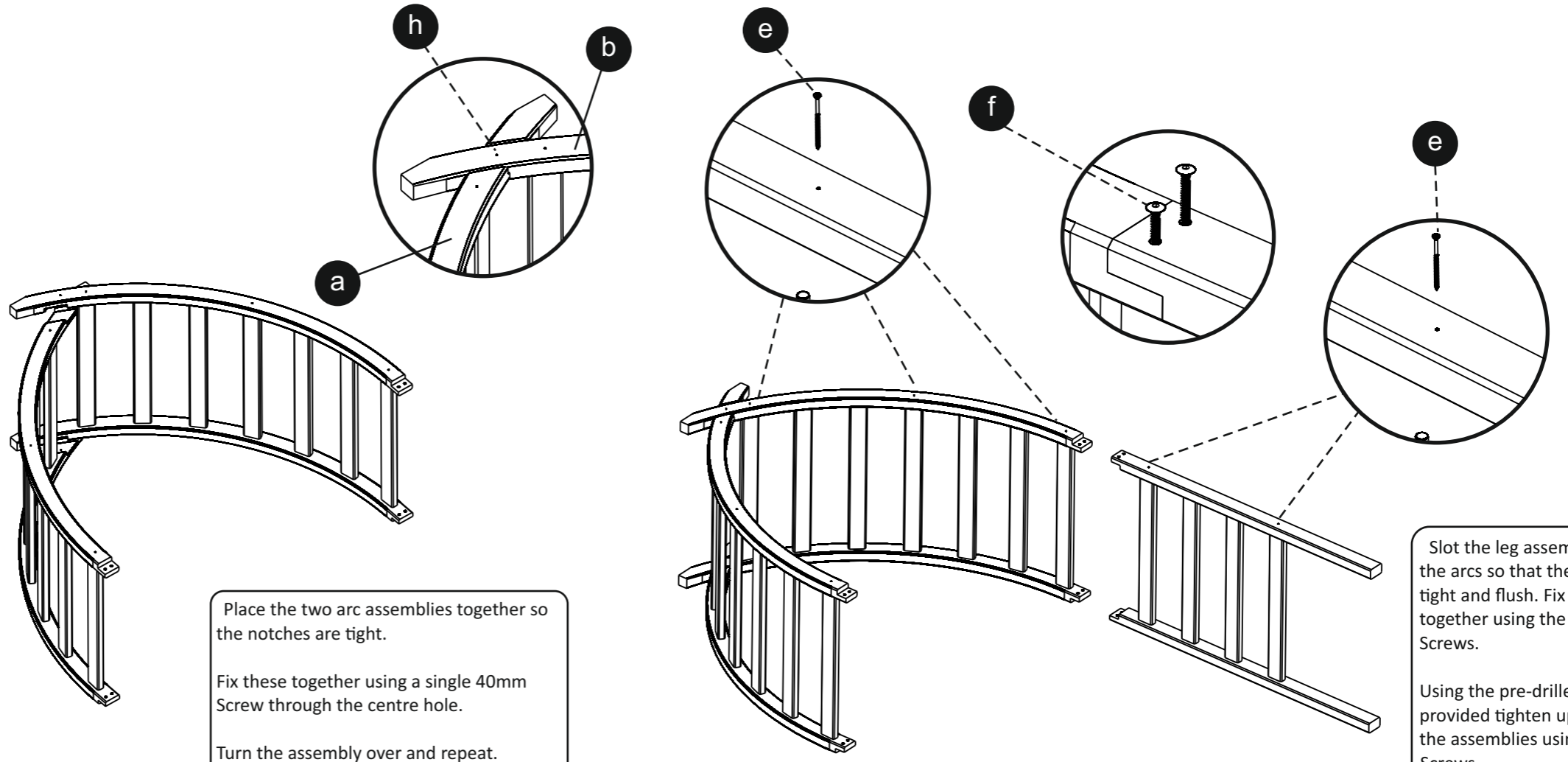
**Note:** Before assembling your product we strongly recommend that the legs be sunk into the ground 350mm or equally reduce the length of your posts and use in conjunction with a post bracket system to be anchored in the ground or to a solid surface.

**Attention:**  
-For Domestic Use Only.  
-This product is not intended for use by children



Place the Drive Nuts into the holes on the inside of the arcs as shown. Hammer each in place.

Use a rubber mallet to make sure the assemblies are tight.  
If a wooden mallet is not available use a wide piece of wood to protect the product when hammering.



Place the two arc assemblies together so the notches are tight.  
Fix these together using a single 40mm Screw through the centre hole.  
Turn the assembly over and repeat.

Slot the leg assemblies into the arcs so that the notches sit tight and flush. Fix them together using the Allen Screws.  
Using the pre-drilled holes provided tighten up each of the assemblies using 70mm Screws.