

VICTORIAN WALL GREEN HOUSE

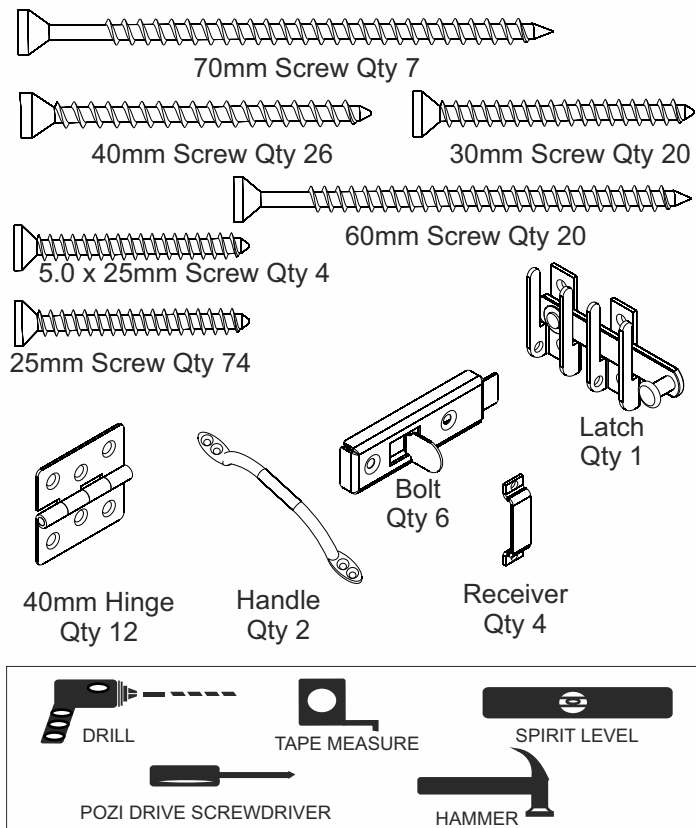
IMPORTANT, RETAIN FOR FUTURE REFERENCE; READ CAREFULLY

- Always pre-drill the timber to avoid splitting.
 - The timber in this product is pressure treated to ensure longevity and protection against rot. This may leave colour variations, but these will even out as the moisture content stabilises
 - Timber is a natural material and will shrink and swell as a result of varying moisture content.
 - Please keep all plastic bags and small parts away from children
 - This product must be built on a solid level base.
- Technical Help line: [0333 321 3142](tel:03333213142) 8.30 am and 5.00 pm Monday to Friday.

In line with your statutory rights, please check all parts prior to assembly, as assembly of damaged parts may be deemed to be acceptance and this may affect the remedies you are entitled to. If the product is not constructed in accordance with the instructions, or is altered in anyway (e.g. painted), the manufacturer cannot be held liable for any resulting damage.

Fixing Pack (VICTGHFP)

Not to Scale

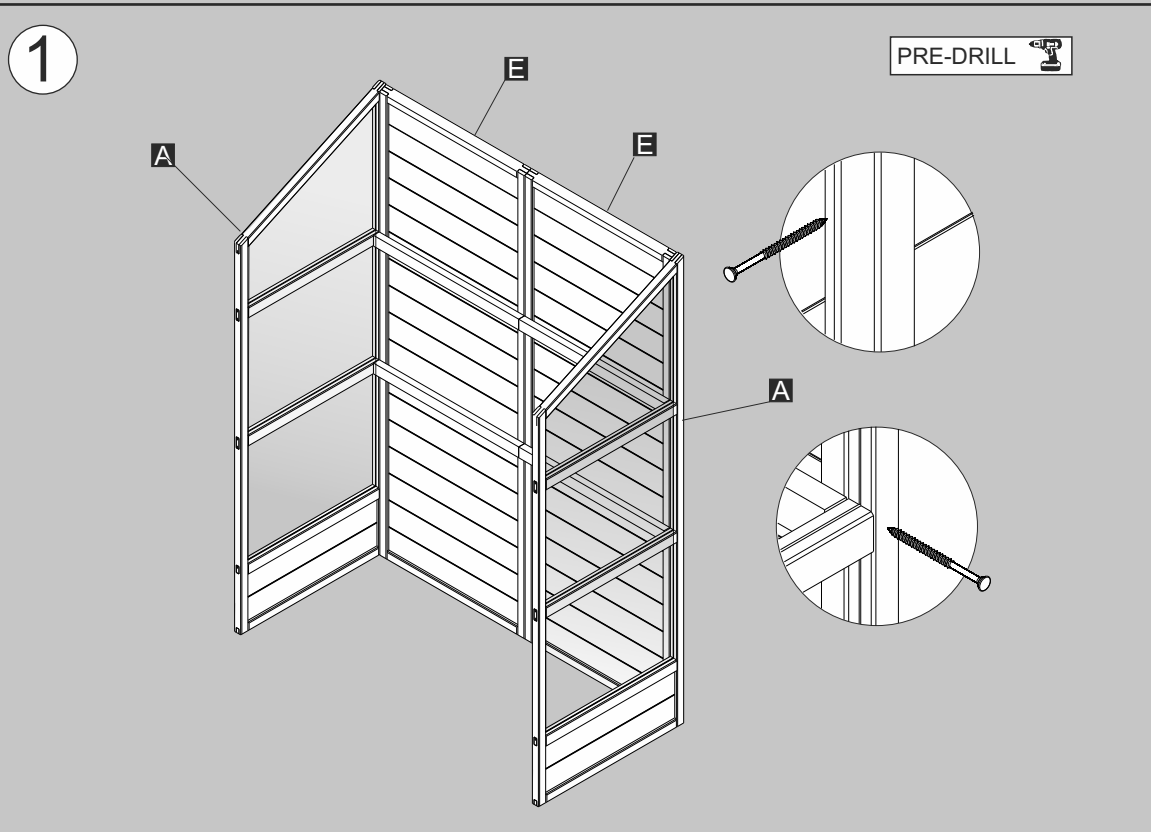
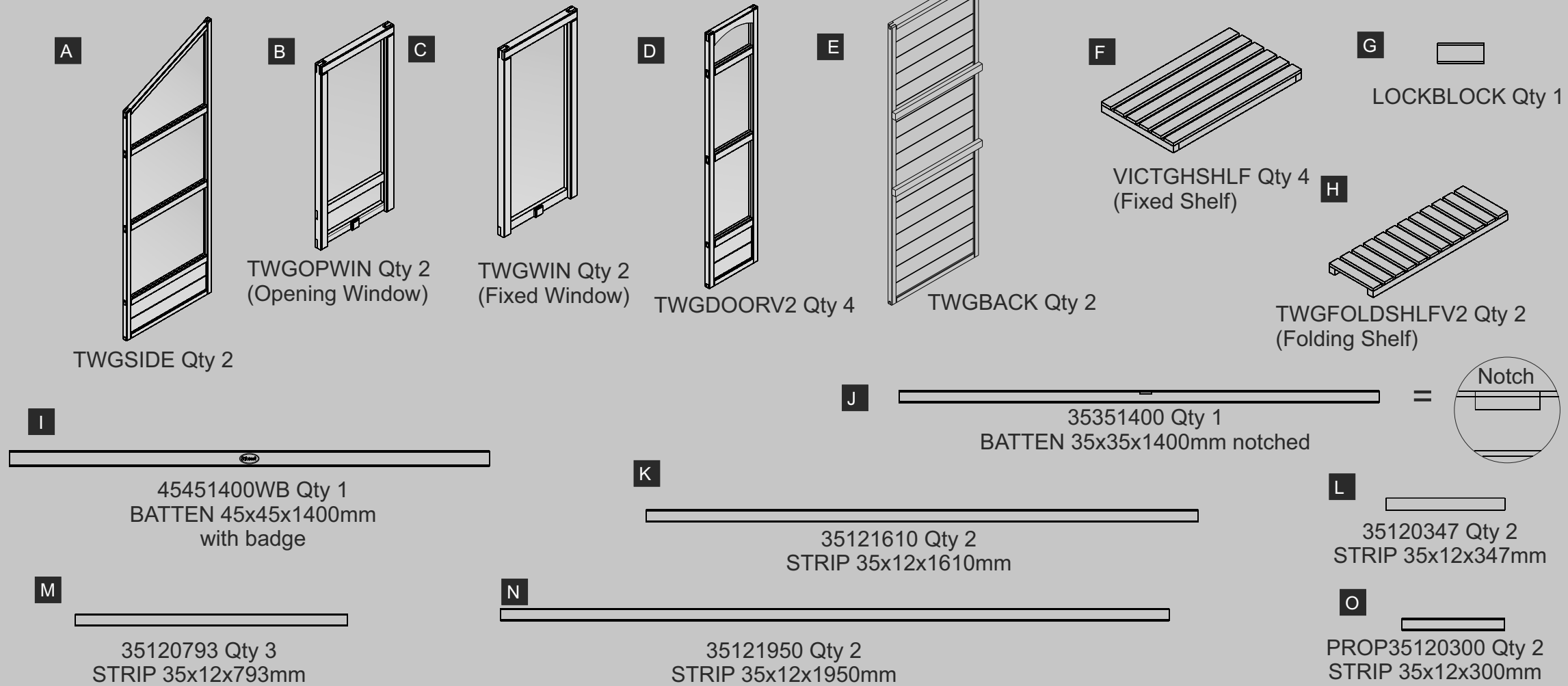


Important :
Assembly of this product requires a minimum of two adults.

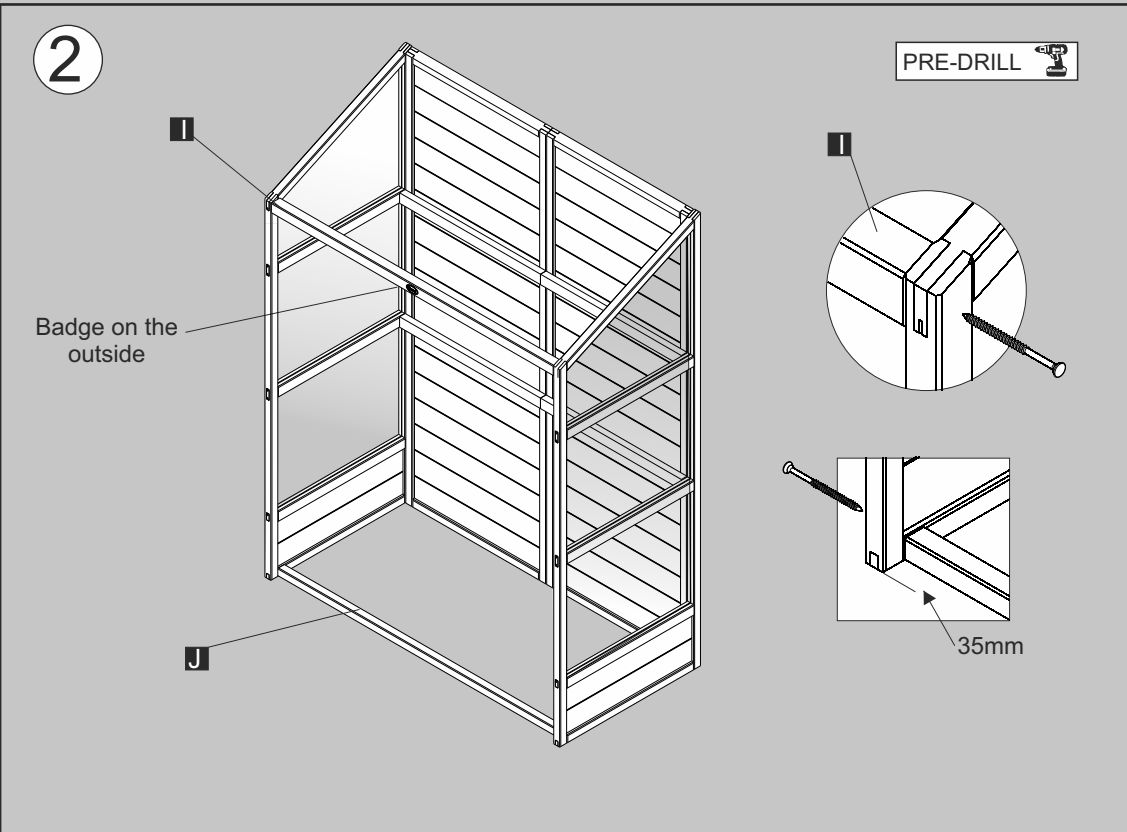


VICTGH PARTS LIST

issue 0217



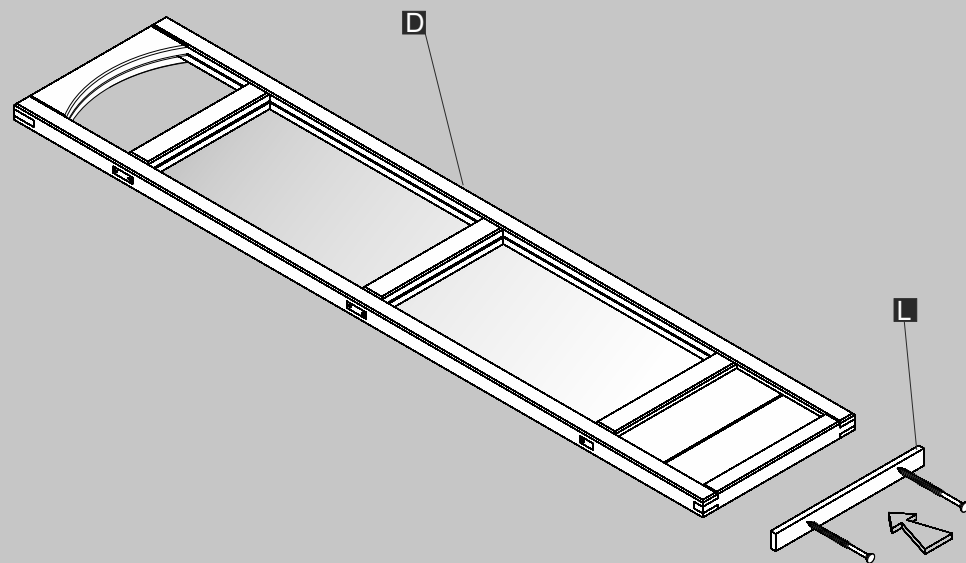
Fix the two back panel together, screwing at an angle, with the 3 x 70mm screws through the framework at the back.



Make sure that the notch in batten 'N' is on the inside of the green house.
Make sure that the notch on batten 'J' is facing up.

3

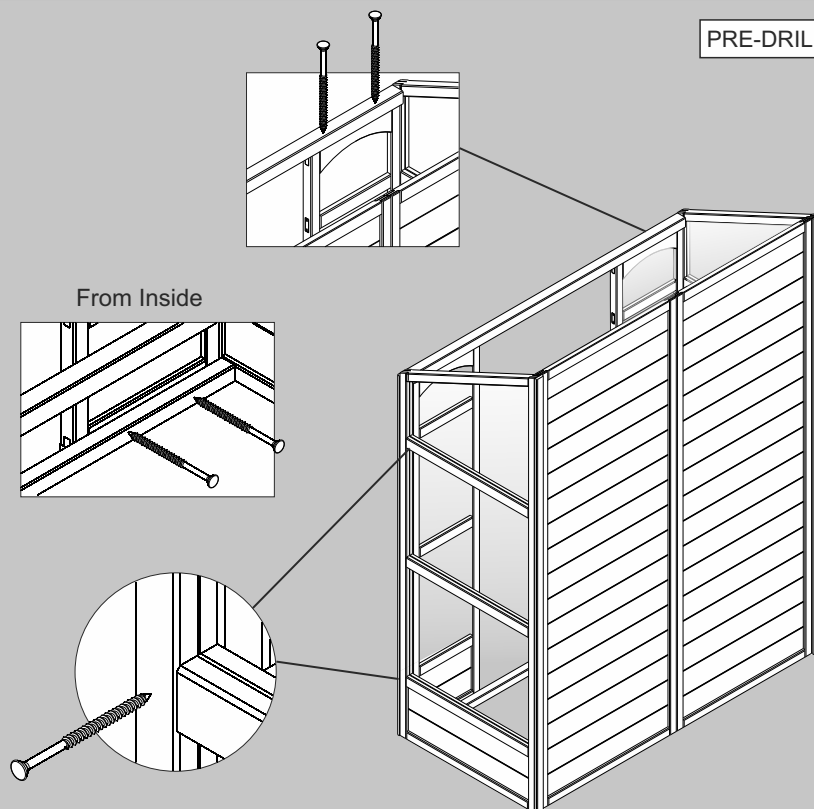
PRE-DRILL 



Fix a 347mm strip to the bottom of two of the doors using 2x30mm screws for each.

4

PRE-DRILL 

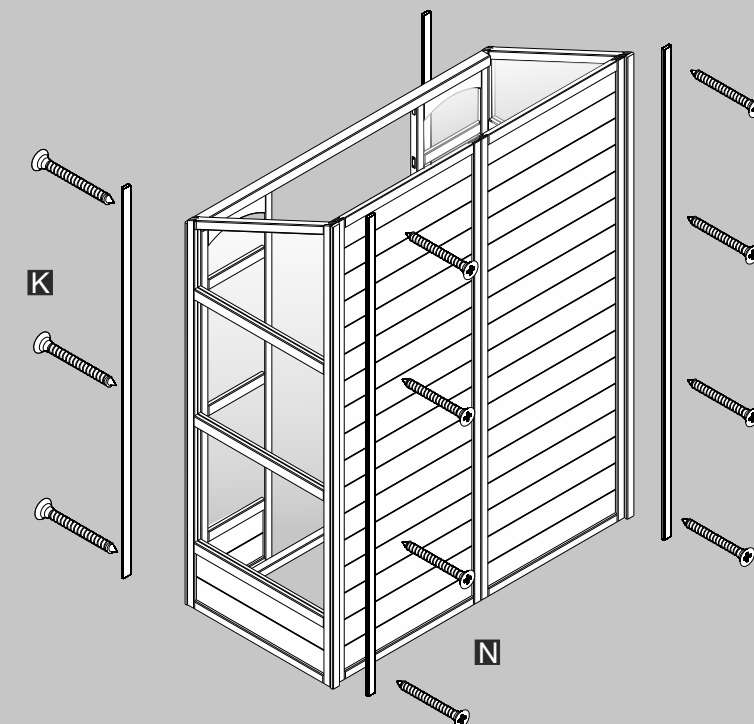


Place the two sections that you have just completed in step 3 against the front of the green house. Fix each in place doing the following.

Screw through the side panel using 2x60mm screws.
Screw through the bottom batten in to the TWGDR using 2x60mm screws.
Screw down through the top batten in to the front TWGDR using 2x70mm screws

5

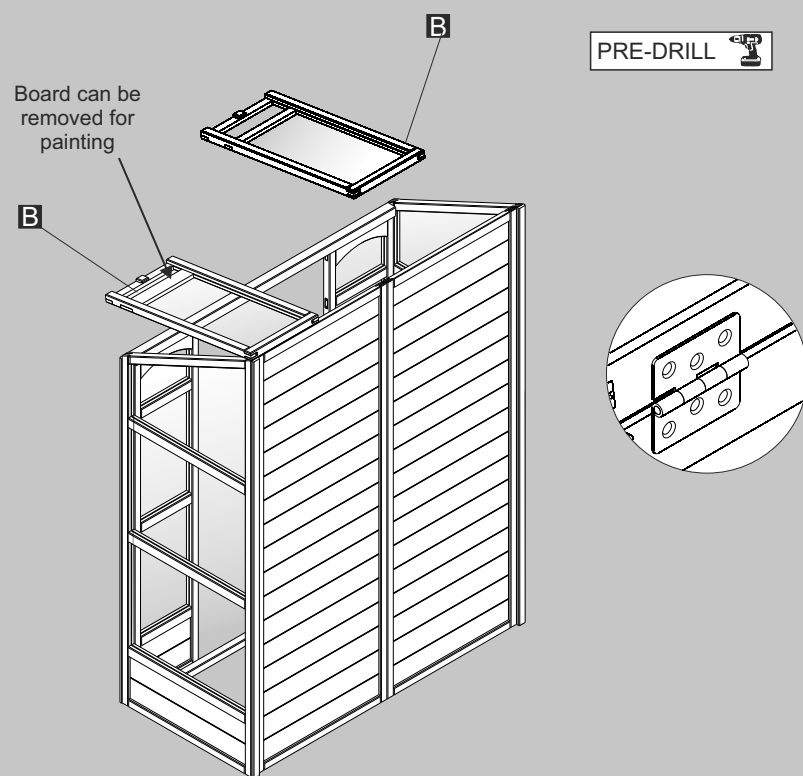
PRE-DRILL 



Fix the cover strips to the front and back of each side panel making sure that each is flush. Fix these in place using 30mm screws.

6

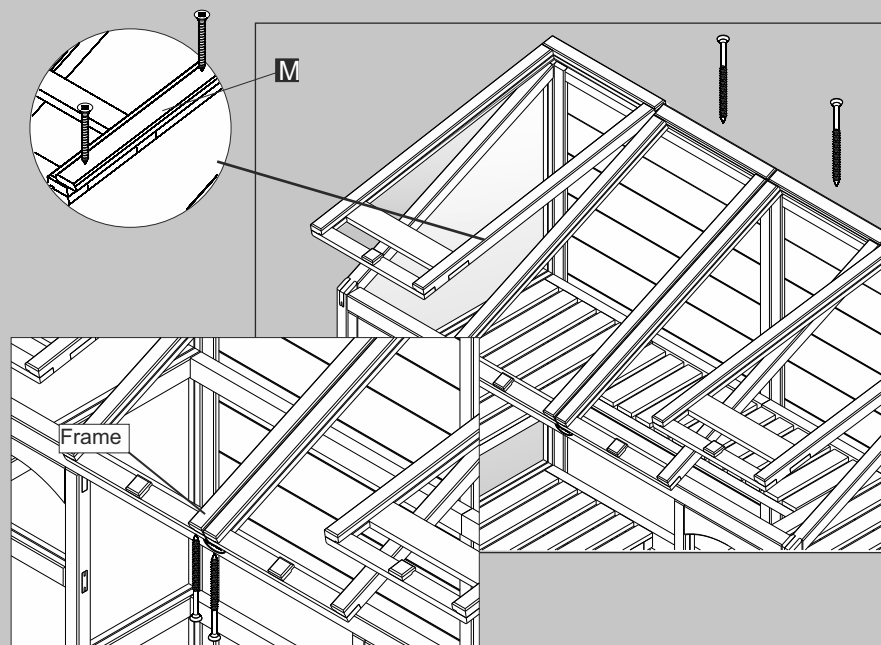
PRE-DRILL 



Fix two hinges to the back of each opening window using 3x25mm screws for each hinge. Place the windows on top of the frame making sure that they are square and in line with the side panels and fix the other half of the hinges to the back panel using another 3x25mm screws

7

PRE-DRILL 



Place the two (fixed windows) on to the green house. These must be in line with the two outer opening windows. They must each be placed so that there is a small gap between these and the outside opening windows to allow them to open freely.

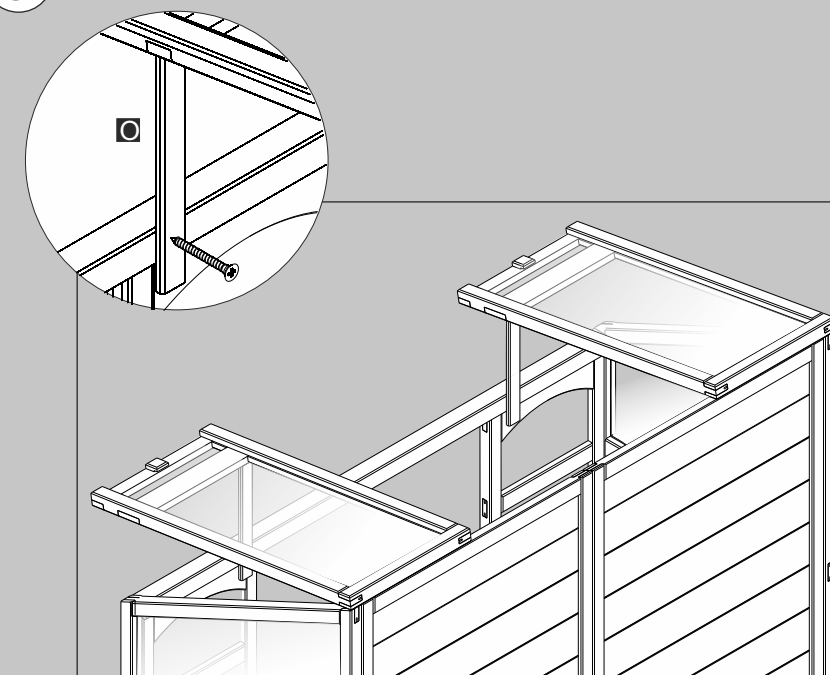
Fix these in place screwing up through the front batten, making sure the screws locate into the windows framing. Use a single 60mm screw for each.

At the back screw down through the windows framing and into the top of the back panels again using a 60mm screw for each

Fix a 793mm strip to each of the opening windows so that it overlap the other windows. Fix using 2x25mm screws. Fix the remaining strip so that it overlaps both of the fixed windows.

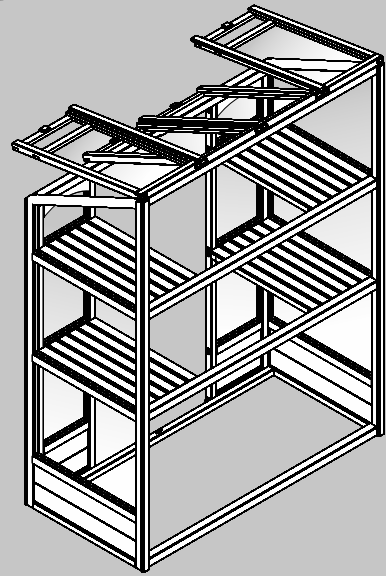
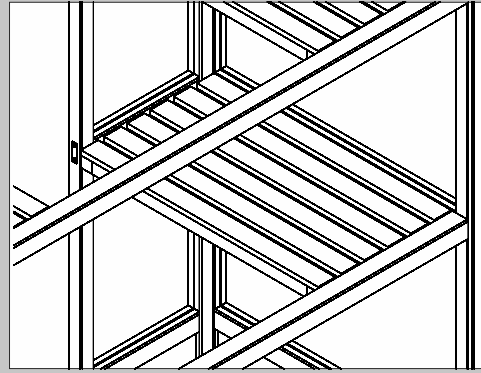
8

PRE-DRILL 



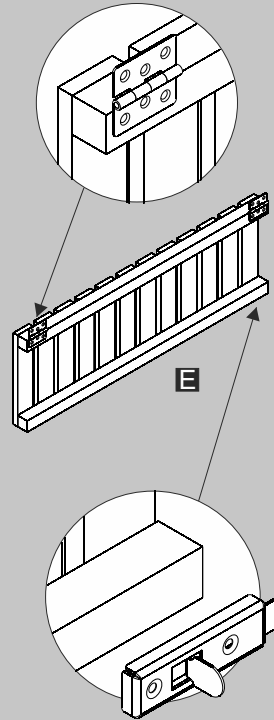
Place the prop against the inside of the front batten. Position the screw so that the prop can be turned both ways and offer two settings for ventilation. Use a single 40mm screw.

9

PRE-DRILL 

From underneath the shelf screw through the framing into the framing of the front, back and side panels using 2x40mm screws for each. (6 x 40mm screws for each shelf)

10

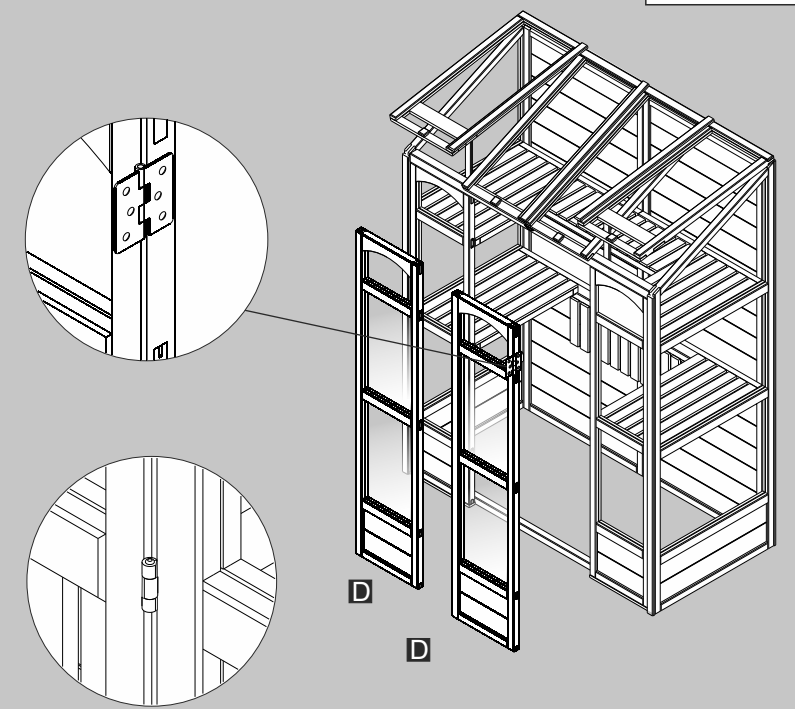
PRE-DRILL 

Fix two hinges to the underside of each (folding shelf) using 3x25mm screws for each hinge. Fix a bolt to each end of the opposite batten using the screws provided.

Place the shelf into the green house and fix the other half of the hinge to the underside of the back 1400mm batten using another 3x25mm screws for each.

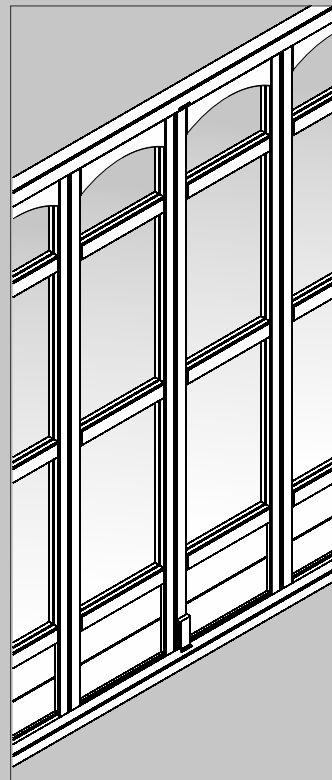
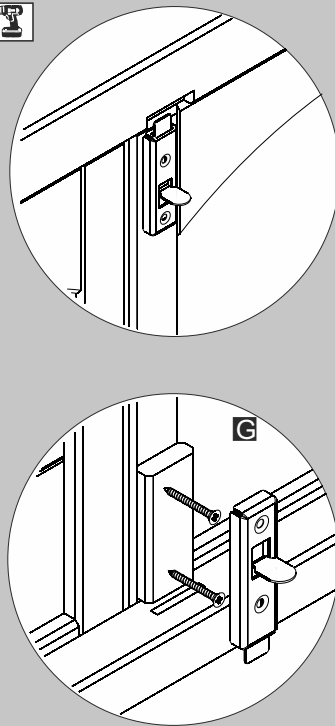
Open the shelf and mark the position of the bolt's receiver on the fixed shelves before securing in place.

11

PRE-DRILL 

Fix two hinges to the side of each TWGDR as shown using 3x25mm screws for each hinge. Place these against the panels you previously fixed in step 4 so that the hinge is against the inside of the frame and secure the other half of each hinge using 3x25mm screws.

12

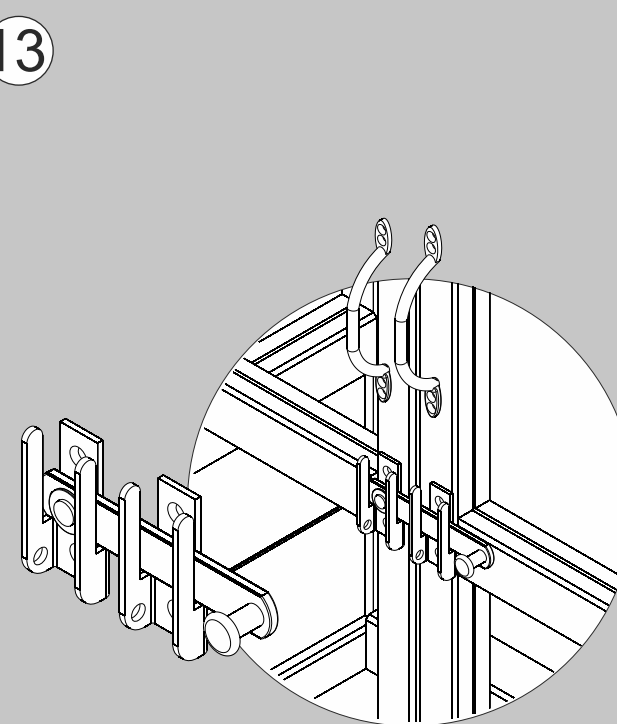
PRE-DRILL 

Close the left hand door which you have just fixed. Place the LOCKBLOCK on the inside of the door so that it is in line with the framework and sits at least 3mm above the bottom batten. Fix the block in place using 2x30mm screws.

Fix a bolt to the block you have just placed using the 25mm screws provided.

Fix the remaining bolt to the top of the door making sure that the bolt will locate in to the notch on the top batten.

13

PRE-DRILL 

Fix a handle to each of the doors making sure that these are in line with each other. Fix each in place using 25mm screws.

Place the latch so that it is in line with central batten of each door and will hold the door securely when fixed. Fix using the 5.0 x 25mm screws provided.