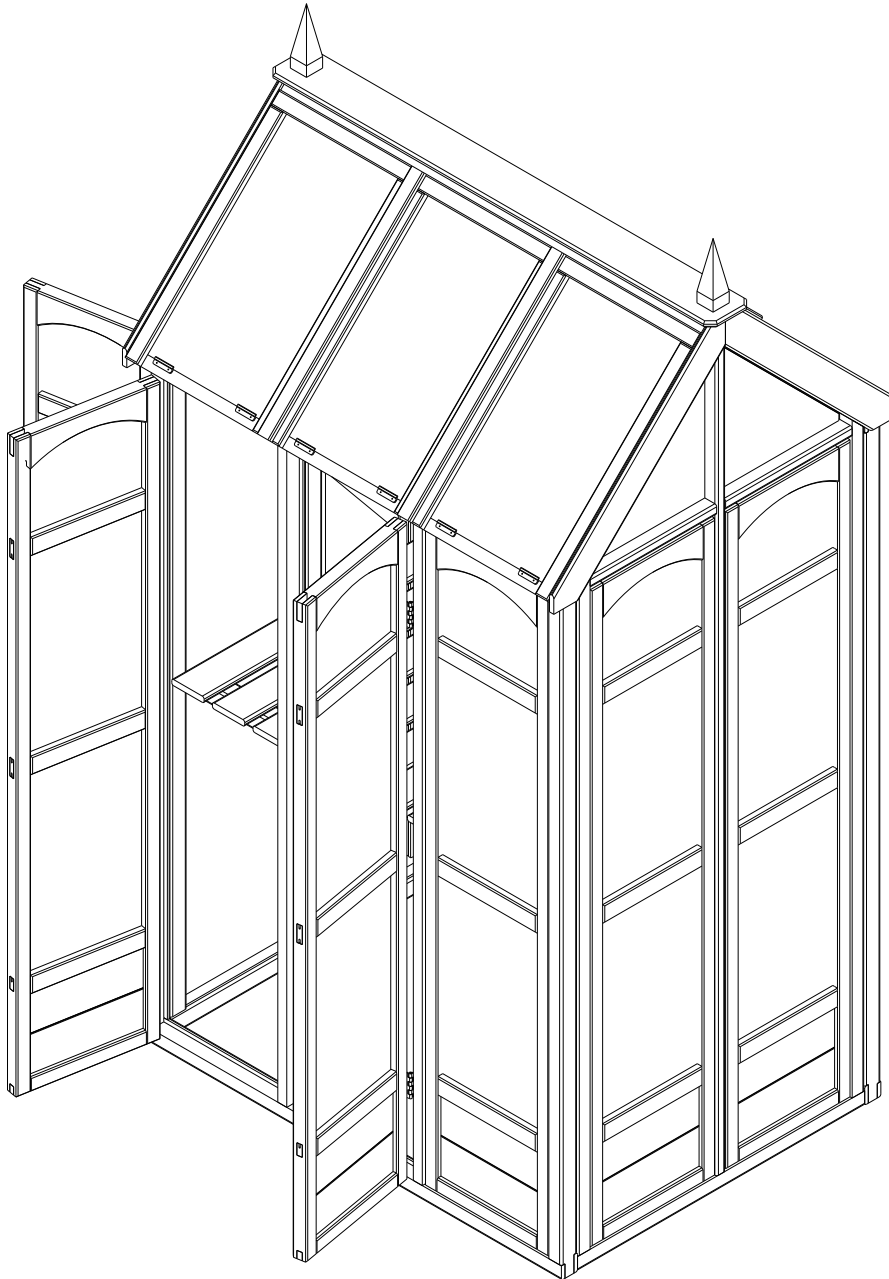


WALK AROUND GREEN HOUSE

WRGH

Issue 0221



INFORMATION

Important : Assembly requires a minimum of two adults.

This building is pressure treated to ensure longevity of all timber components and to protect against rot. This may leave a colour difference on some parts that will even out as the moisture content stabilises. This will not need additional treatment.

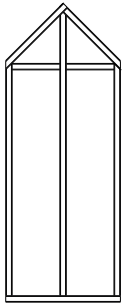
- This product must be built on a solid level base.
- The roof of this building is not a load bearing structure.
- Please keep all plastic bags and small parts away from children
- Timber is a natural material. It will shrink and swell as a result of varying moisture content.
- Due to the nature of the material the doors may need some trimming for a neater fit.

Technical Help line: **0333 7777 089** 8.30 am and 5.00 pm Monday to Friday.

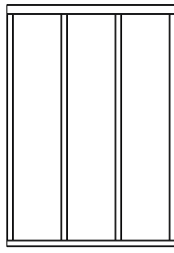
Please check all parts prior to assembly

Assembly of damaged parts may be deemed to be acceptance and this may affect the remedies you are entitled to. If the product is not constructed in accordance with the instructions, or is altered in any way (e.g. painted), the manufacturer cannot be held liable for any resulting damage

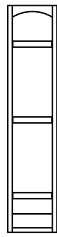
This article contains biocidal products to give protection against wood destroying insects & wood rotting fungi. Contents may vary. May contain : Basic copper carbonate (Copper (II) carbonate – Copper (II) hydroxide (1:1), Cupric oxide, Copper hydroxide carbonate, oxyethyl, ammoniumpropionate, Copper HDO, Propiconazole, Tebuconazole, Boric acid, Benzalkonium chloride. Wear gloves when handling freshly treated wood. Avoid breathing dust when cutting treated or untreated wood. Dispose of off-cuts responsibly – do not burn.



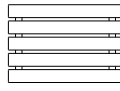
End Panel (End)
Qty: 2
WRGHEND



Side Panel (Side)
Qty: 2
WRGHSIDE



Door Panel (Door)
Qty: 10
TWGDOORV2



Stage (Stage)
Qty: 2
WRGHSTAGE



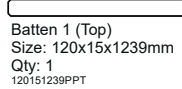
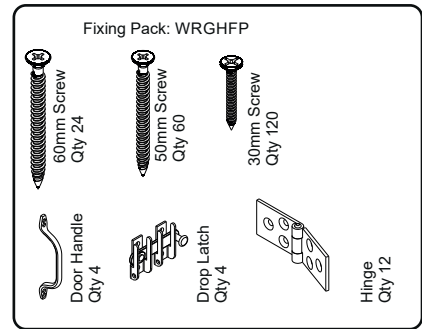
Final (Finial)
Qty: 2
FINAL156



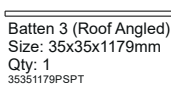
Window Closed (Window)
Qty: 4
WRGHWIN



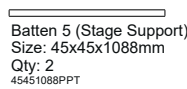
Window Opening (Window)
Qty: 2
WRGHOPWIN



Batten 1 (Top)
Size: 120x15x1239mm
Qty: 1
120151239PPT



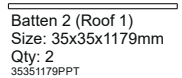
Batten 3 (Roof Angled)
Size: 35x35x1179mm
Qty: 1
35351179PPT



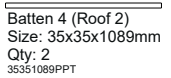
Batten 5 (Stage Support)
Size: 45x45x1088mm
Qty: 2
45451088PPT



Batten 7 (Window Strip)
Size: 35x12x610mm
Qty: 4
35120610PPT



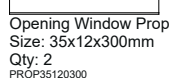
Batten 2 (Roof 1)
Size: 35x35x1179mm
Qty: 2
35351179PPT



Batten 4 (Roof 2)
Size: 35x35x1089mm
Qty: 2
35351089PPT



Batten 6 (Barge Board)
Size: 82x12x678mm
Qty: 4
82120678PAIIPT

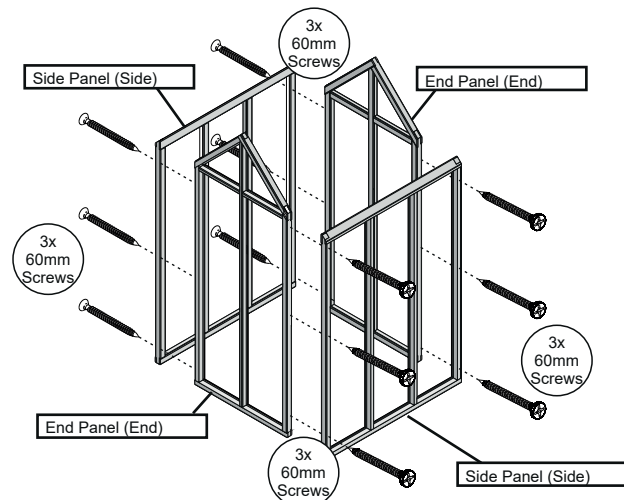


Opening Window Prop
Size: 35x12x300mm
Qty: 2
PROP35120300

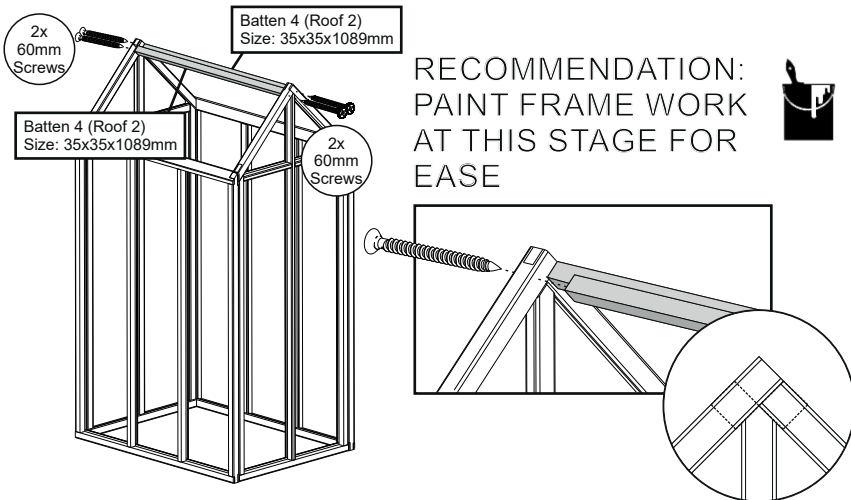


INSTRUCTIONS

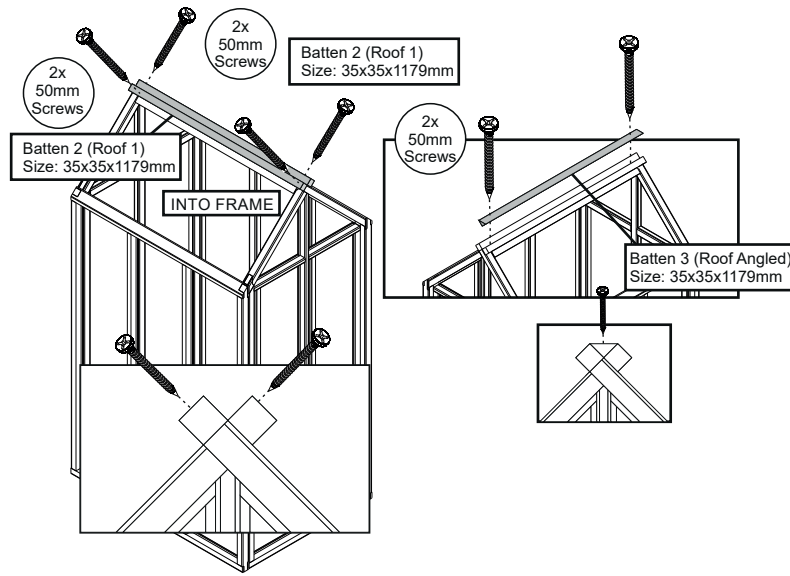
Step 1



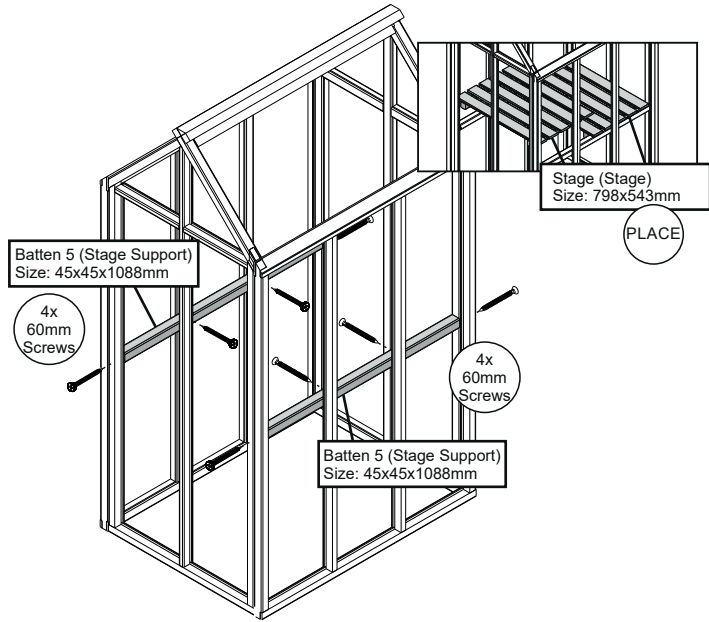
Step 2



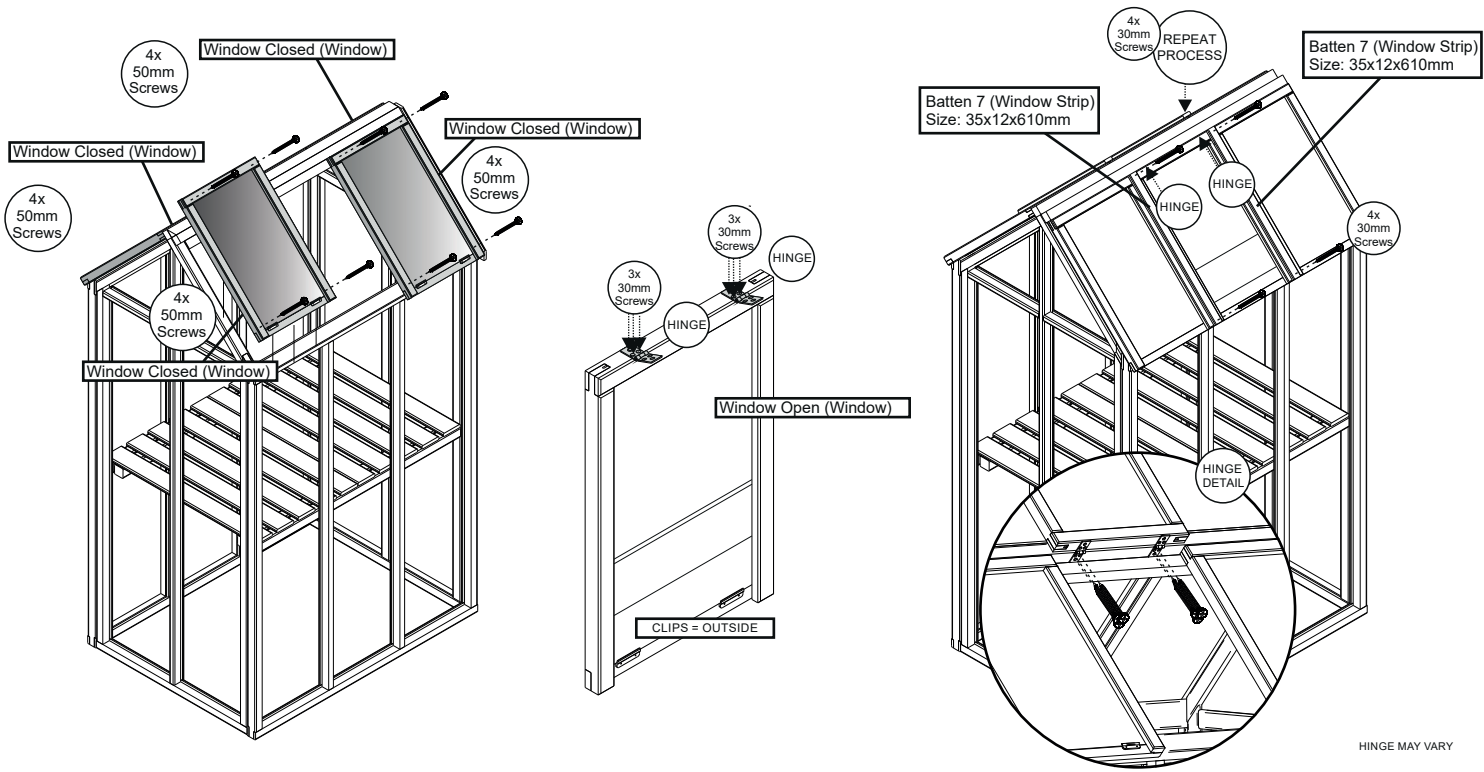
Step 3



Step 4

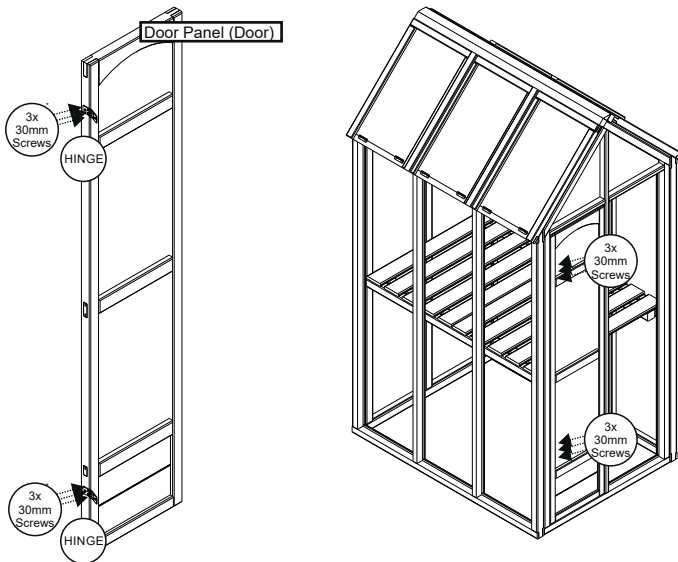


Step 5



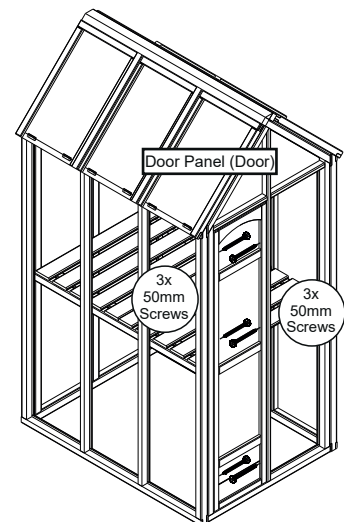
Step 6

OPEN DOORS - CAN BE PLACED IN ANY WHERE.

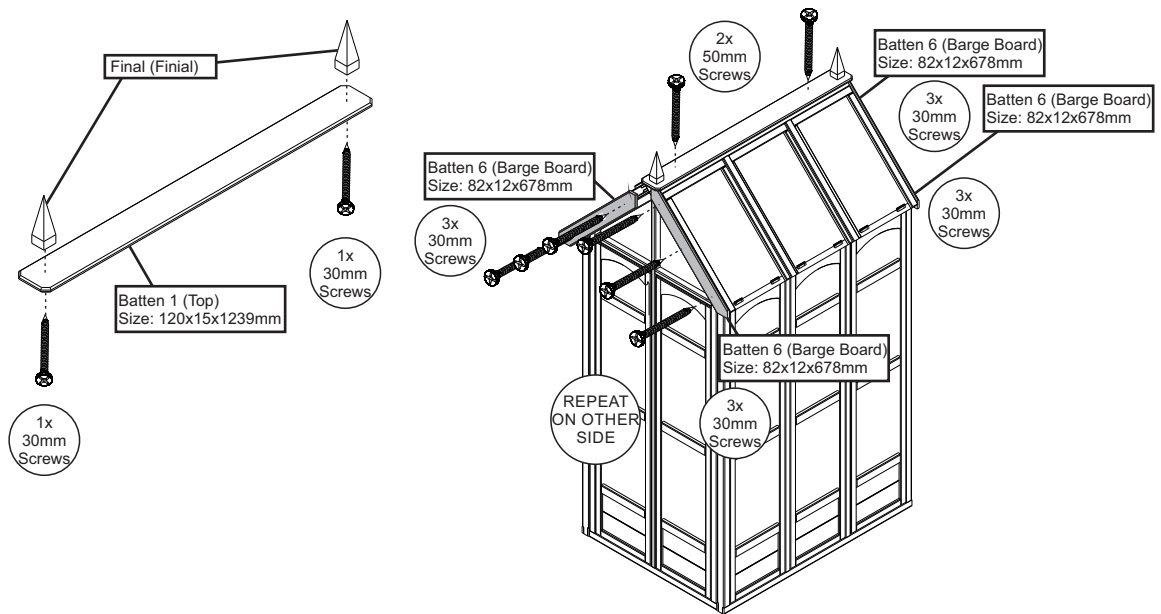


Step 7

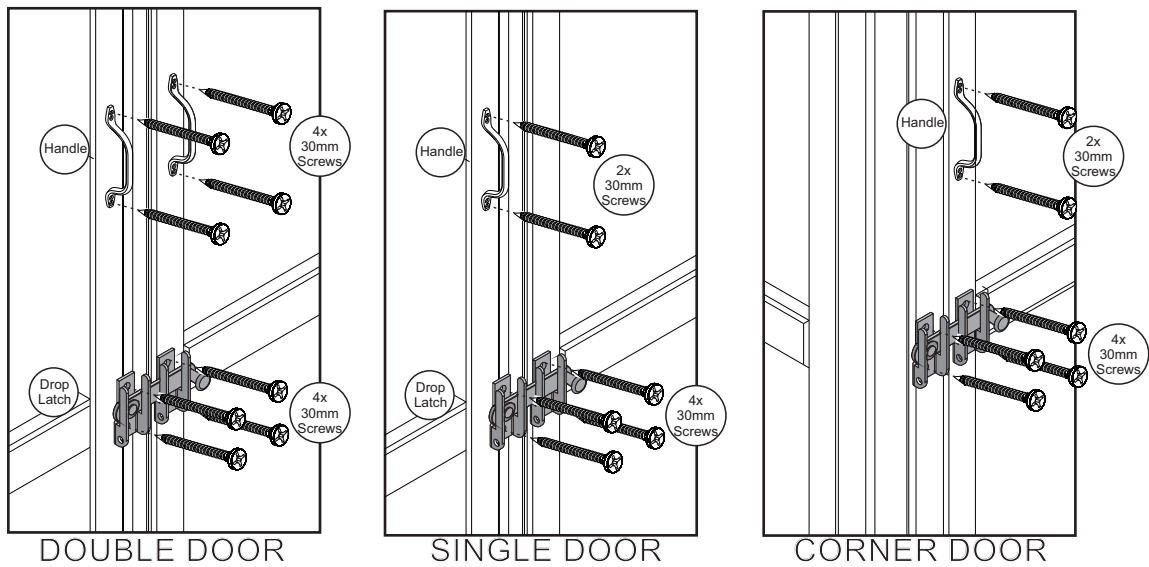
CLOSED DOORS



Step 8



Step 9



Step 10

