

Venice Planter

IMPORTANT, RETAIN FOR FUTURE REFERENCE: READ CAREFULLY.

Check all parts are present prior to assembly.

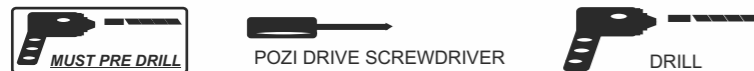
- Always pre-drill timber to avoid splitting.
- The timber in this product is pressure treated to ensure longevity and protection against rot. This may leave colour variations, but these will even out as the moisture content stabilises.
- Timber is a natural material and will shrink and swell as a result of varying moisture content.
- Keep all plastic bags and parts away from children.

Technical Help line: 0333 7777 089 8:30am - 5.00pm Monday to Friday

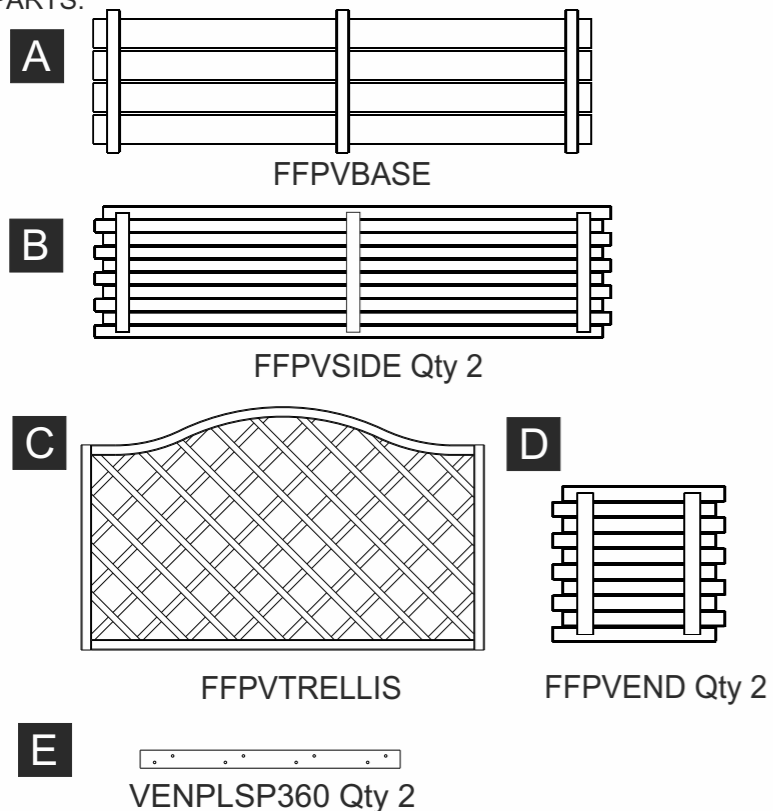
In line with your statutory rights, please check all parts prior to assembly, as assembly of damaged parts may be deemed to be acceptance and this may affect the remedies you are entitled to. If the product is not constructed in accordance with the instructions, or is altered in anyway (e.g. painted), the manufacturer cannot be held liable for any resulting damage.

This article contains biocidal products to give protection against wood destroying insects & wood rotting fungi. Contents may vary.
 May contain : Basic copper carbonate (Copper (II) carbonate – Copper (II) hydroxide (1:1), Cupric oxide, Copper hydroxide carbonate, oxyethyl, ammoniumpropionate, Copper HDO, Propiconazole, Tebuconazole, Boric acid, Benzalkonium chloride.
 Wear gloves when handling freshly treated wood. Avoid breathing dust when cutting treated or untreated wood. Dispose of off-cuts responsibly – do not burn.

REQUIRED TOOLS (NOT SUPPLIED)



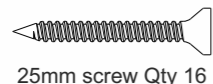
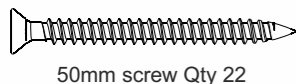
PARTS:



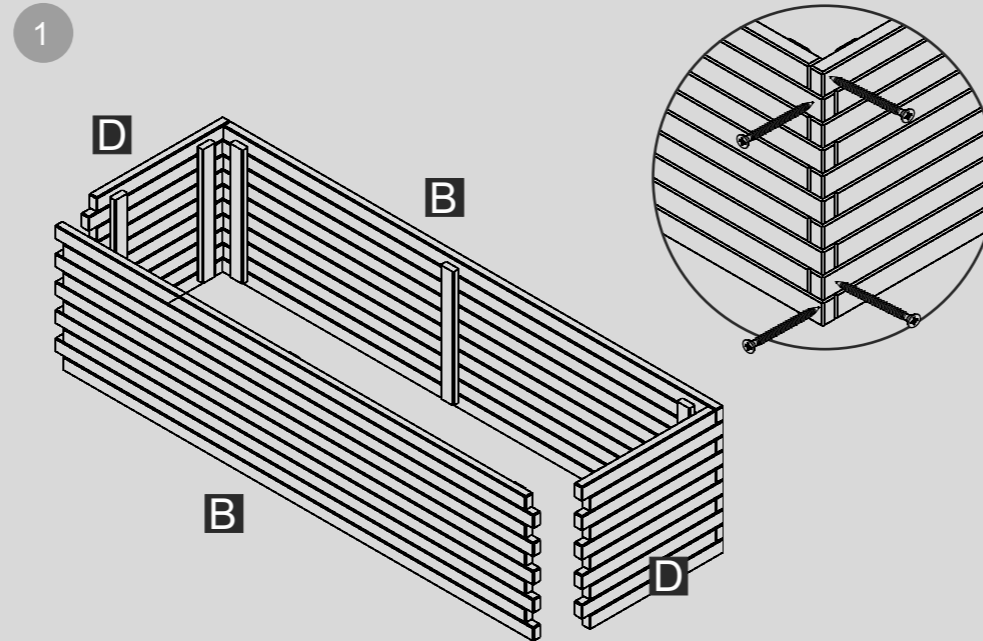
(FIXING PACK) FFPVFP

Not To Scale

For further information



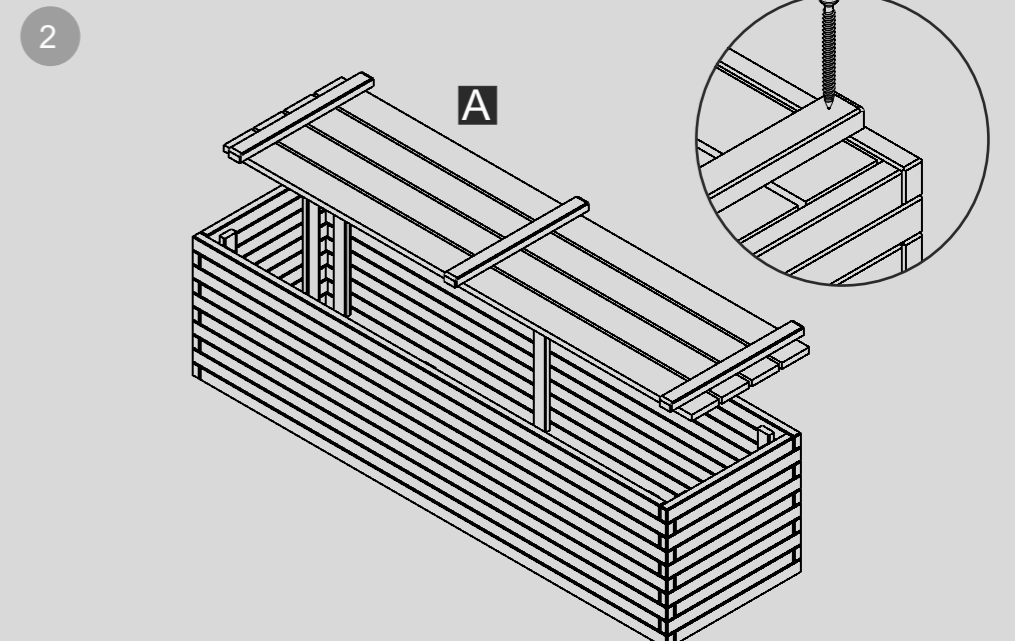
www.forestgarden.co.uk



PRE - DRILL

Slot the side and end sections together.

Fix these to each other using 4 x 50mm screws for each corner positioned at the top and bottom as shown.

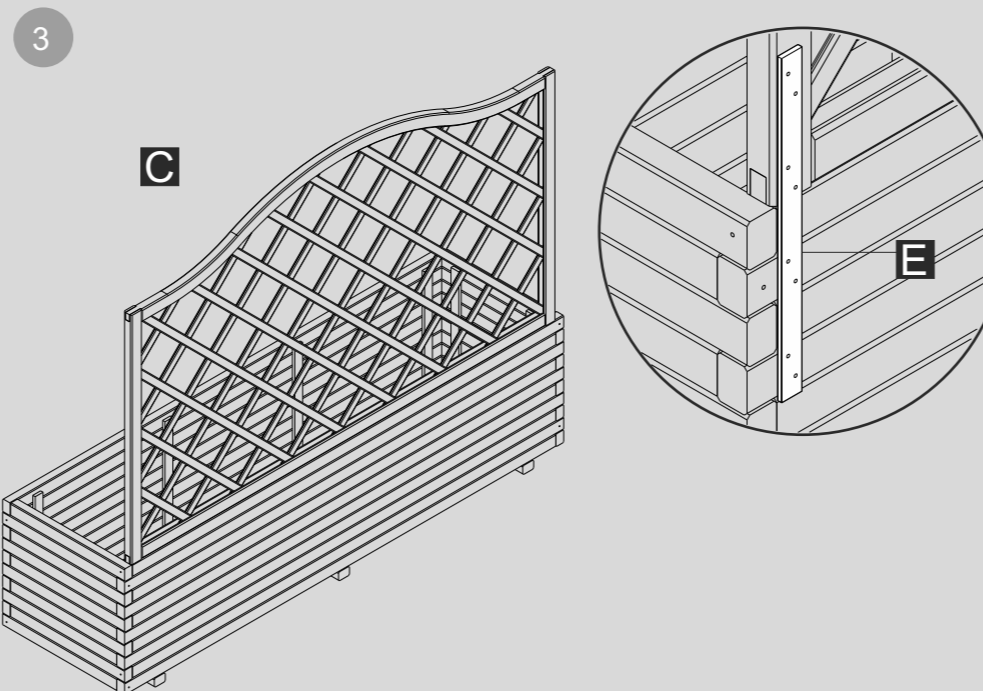


PRE - DRILL

Place the base on top so that the bearers are sat on the side sections.

Fix the base in place using 2 x 50mm screws for each bearer.

Turn the base over.



PRE - DRILL

Fix a steel plate to each end of the trellis back using four of the holes and 25mm screws for each plate.

Place the trellis back on top of one of the long side sections and make sure that it is flush on all sides before securing the rest of the steel plate with 25mm screws.

