

# Ultima Pergola Arch

Please check all part prior to assembly.

IMPORTANT, RETAIN FOR FUTURE REFERENCE: READ CAREFULLY.

- Always pre-drill timber to avoid splitting.
- The timber in this product is pressure treated to ensure longevity and protection against rot. This may leave a colour variations, but these will even out as the moisture content stabilises.
- Timber is a natural material and will shrink and swell as a result of varying moisture content.
- Keep all plastic bags and parts away from children.

Technical Help line: **0333 7777 089** 8:30am - 5.00pm Monday to Friday

In line with your statutory rights, please check all parts prior to assembly, as assembly of damaged parts may be deemed to be acceptance and this may affect the remedies you are entitled to. If the product is not constructed in accordance with the instructions, or is altered in anyway (e.g. painted), the manufacturer cannot be held liable for any resulting damage.

**Important :**  
Assembly of this arch requires a minimum of two adults.

**MUST PRE-DRILL**

**REQUIRED TOOLS:**  
(NOT SUPPLIED)

TAPE MEASURE

DRILL

SPRIT LEVEL

POZI DRIVE SCREWDRIVER

**PARTS:**

**A**

URCB6 Rafter Qty 2

**B**

UPARTNRLN Rafter ( Large Notch) Qty 2

**C**

UPARTNRSN Notched Rafter Qty 3

**D**

UPARTSU Slotted Upright Qty 4

**E**

UCBC Corner Brace Qty 4

**F**

ELD62 Lattice Insert Qty 2

(FIXING PACK) UPARTFP

Qty 10

70mm

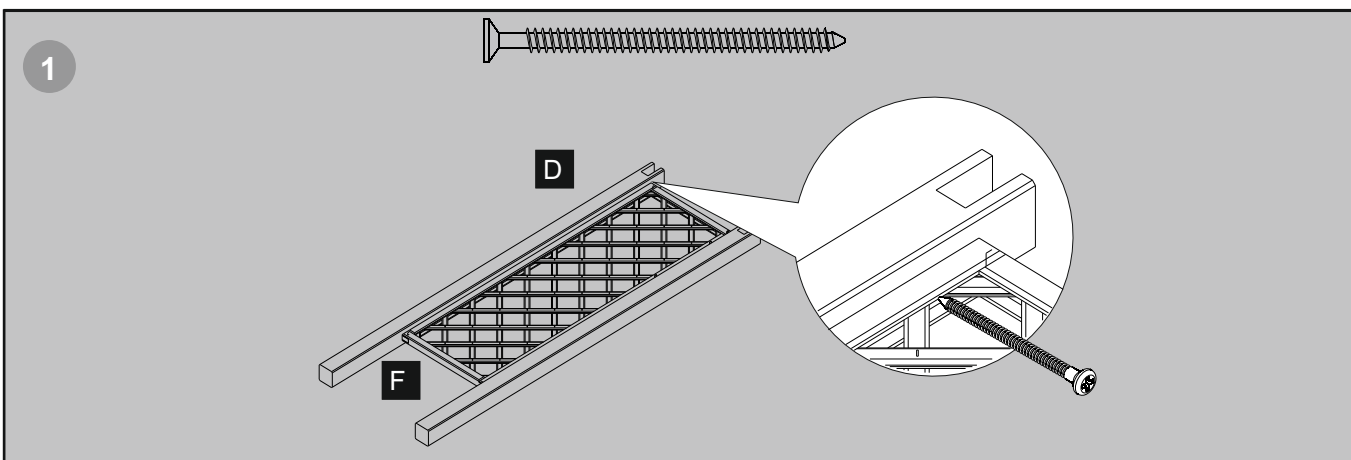
Qty 24

50mm

NOT TO SCALE

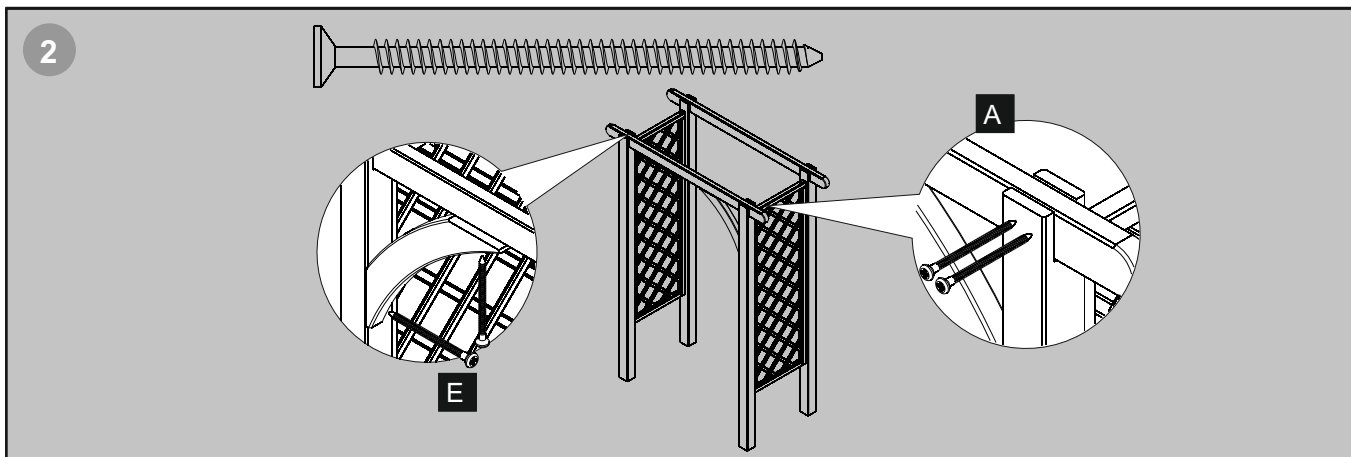
For further information

[www.forestgarden.co.uk](http://www.forestgarden.co.uk)



Position one piece of trellis between two of the posts. The trellis must be flush with the notches in each post as shown. Secure the trellis inserts to the posts using 2x50mm screws for each side

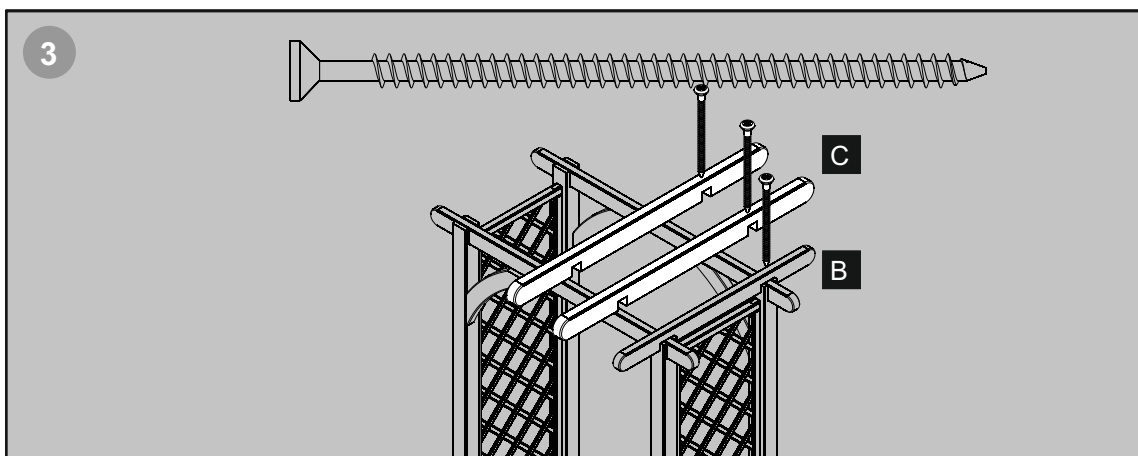
Repeat the step with remaining piece of trellis and the two remaining posts.



Fix the rafter into the slots in the post. Make sure the space between the sides is 1325mm

Fix in place using 2 x 50mm screw for each post as shown.

Place the braces as shown and fix using 2x50mm screws.



Place the notched rafters on to the arbour. The rafters with the large notches need to be positioned over the posts.

Place the rafters so that they are spaced evenly and fix each in place using 2x70mm

This article contains biocidal products to give protection against wood destroying insects & wood rotting fungi. Contents may vary.  
May contain : Basic copper carbonate (Copper (II) carbonate – Copper (II) hydroxide (1:1), Cupric oxide, Copper hydroxide carbonate, oxyethyl ammoniumpropionate, Copper HDO, Propiconazole, Tebuconazole, Boric acid, Benzalkonium chloride.  
Wear gloves when handling freshly treated wood. Avoid breathing dust when cutting treated or untreated wood. Dispose of off-cuts responsibly – do not burn.