

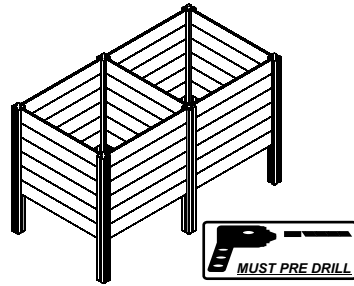
Slot Down Composter Extension

IMPORTANT, RETAIN FOR FUTURE REFERENCE: READ CAREFULLY.

Check all parts are present prior to assembly.

- Always pre-drill timber to avoid splitting.
- The timber in this product is pressure treated to ensure longevity and protection against rot. This may leave a colour variations, but these will even out as the moisture content stabilises.
- Timber is a natural material and will shrink and swell as a result of varying moisture content.
- Keep all plastic bags and parts away from children.

Technical Help line: 0333 7777 089 8:30am - 5.00pm Monday to Friday



REQUIRED TOOLS:
(NOT SUPPLIED)



DRILL



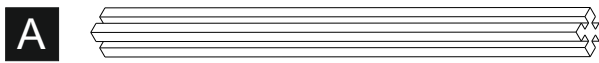
TAPE MEASURE



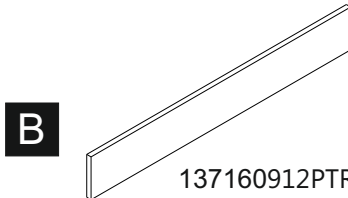
POZI DRIVE SCREWDRIVER



PARTS:



75751198SPTR (POST) QTY 2

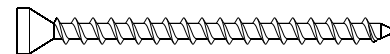


137160912PTR (BOARD) QTY 18

(FIXING PACK) FSSCV2FP

NOT TO SCALE

For further information

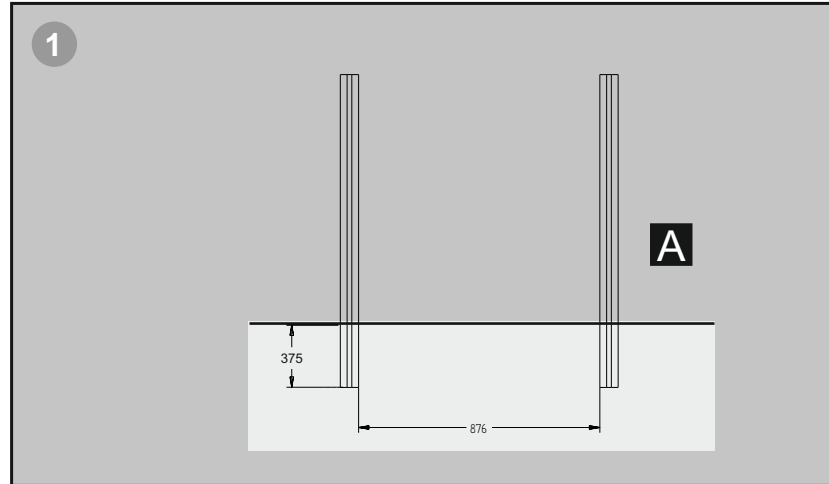


Qty 28

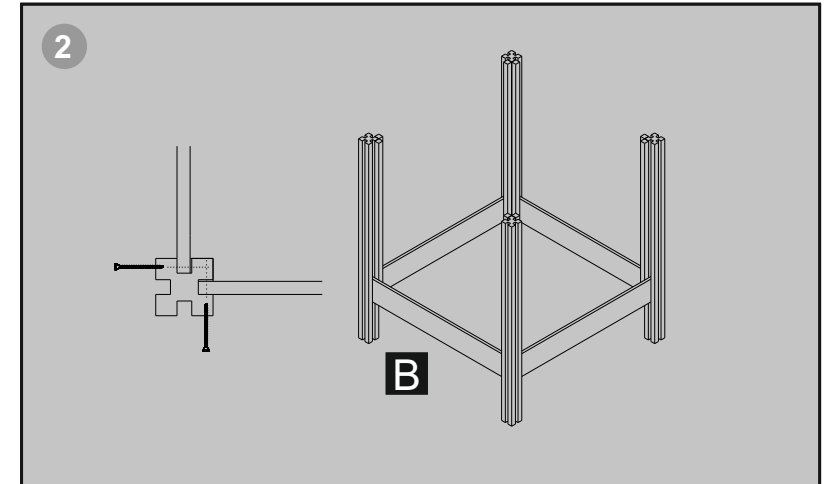
50mm



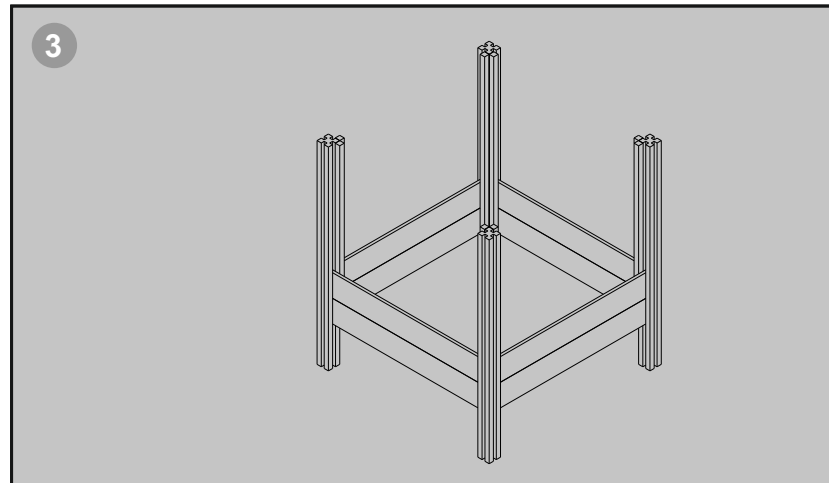
www.forestgarden.co.uk



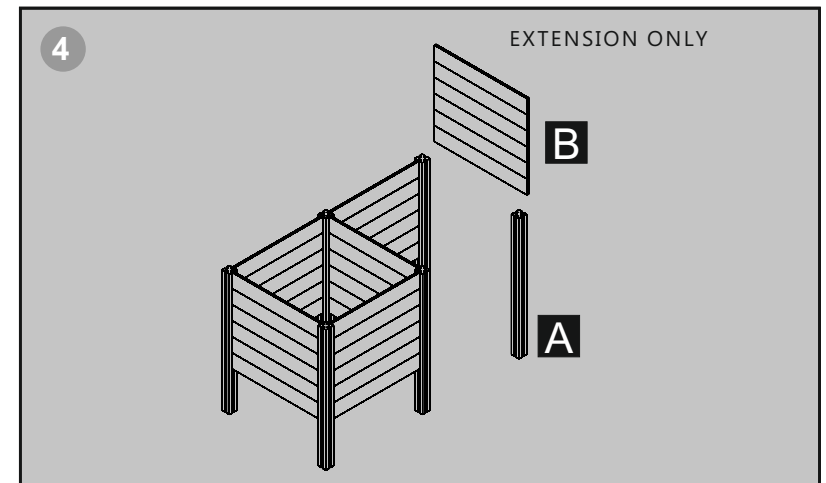
Position the posts in a square formation each post 923mm apart as shown and sink 375mm into the ground.



Slot the first row of boards into the framing. Secure 3 of the boards using the 50mm screws, 2 at each end of each board. The one board you do not secure will be your access to the compost so position it in an accessible orientation.



Slot the remainder of the boards into position. Secure all of the top boards using 2x50mm screws at each end of each board. To retrieve the compost loosen the top screws and slide the boards up.



ATTENTION:
Take care not to trap fingers whilst assembling the product

This article contains biocidal products to give protection against wood destroying insects & wood rotting fungi. Contents may vary.

May contain : Basic copper carbonate (Copper (II) carbonate – Copper (II) hydroxide (1:1), Cupric oxide, Copper hydroxide carbonate, oxyethyl, ammoniumpropionate, Copper HDO, Propiconazole, Tebuconazole, Boric acid, Benzalkonium chloride. Wear gloves when handling freshly treated wood. Avoid breathing dust when cutting treated or untreated wood. Dispose of off-cuts responsibly – do not burn.