

# Slender Planter

IMPORTANT, RETAIN FOR FUTURE REFERENCE: READ CAREFULLY.

Check all parts are present prior to assembly.

- Always pre-drill timber to avoid splitting.
- The timber in this product is pressure treated to ensure longevity and protection against rot.  
This may leave colour variations, but these will even out as the moisture content stabilises.
- Timber is a natural material and will shrink and swell as a result of varying moisture content.
- Keep all plastic bags and parts away from children.

Technical Help line: 0333 7777 089 8:30am - 5.00pm Monday to Friday

This article contains biocidal products to give protection against wood destroying insects & wood rotting fungi. Contents may vary.

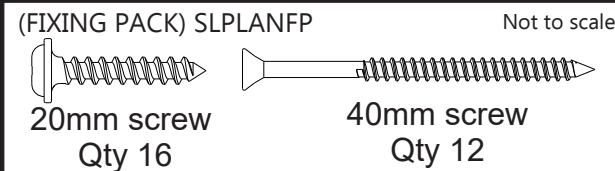
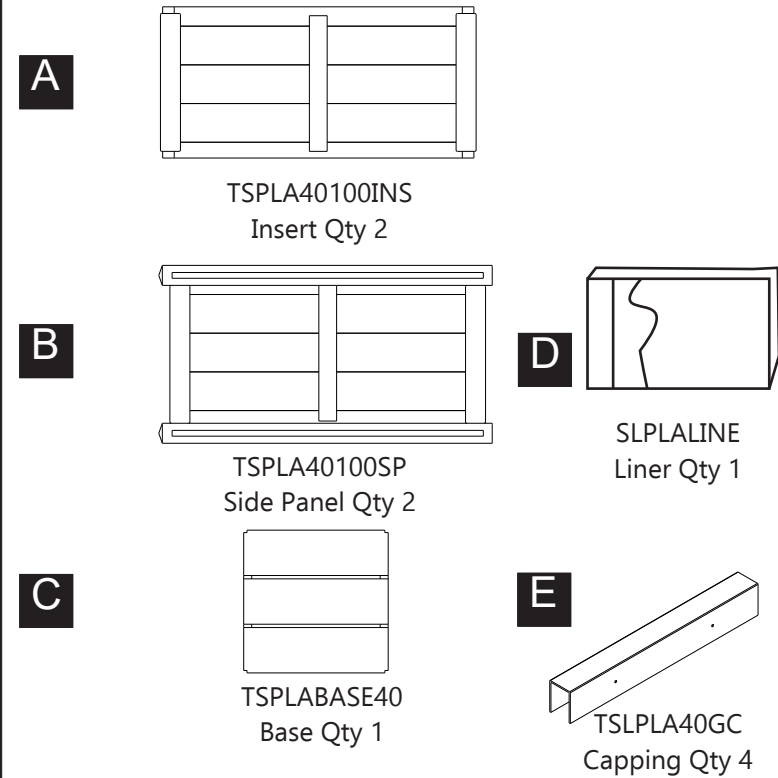
May contain : Basic copper carbonate (Copper (II) carbonate – Copper (II) hydroxide (1:1), Cupric oxide, Copper hydroxide carbonate, oxyethyl, ammoniumpropionate, Copper HDO, Propiconazole, Tebuconazole, Boric acid, Benzalkonium chloride.

Wear gloves when handling freshly treated wood. Avoid breathing dust when cutting treated or untreated wood. Dispose of off-cuts responsibly – do not burn.

## REQUIRED TOOLS : (NOT SUPPLIED)



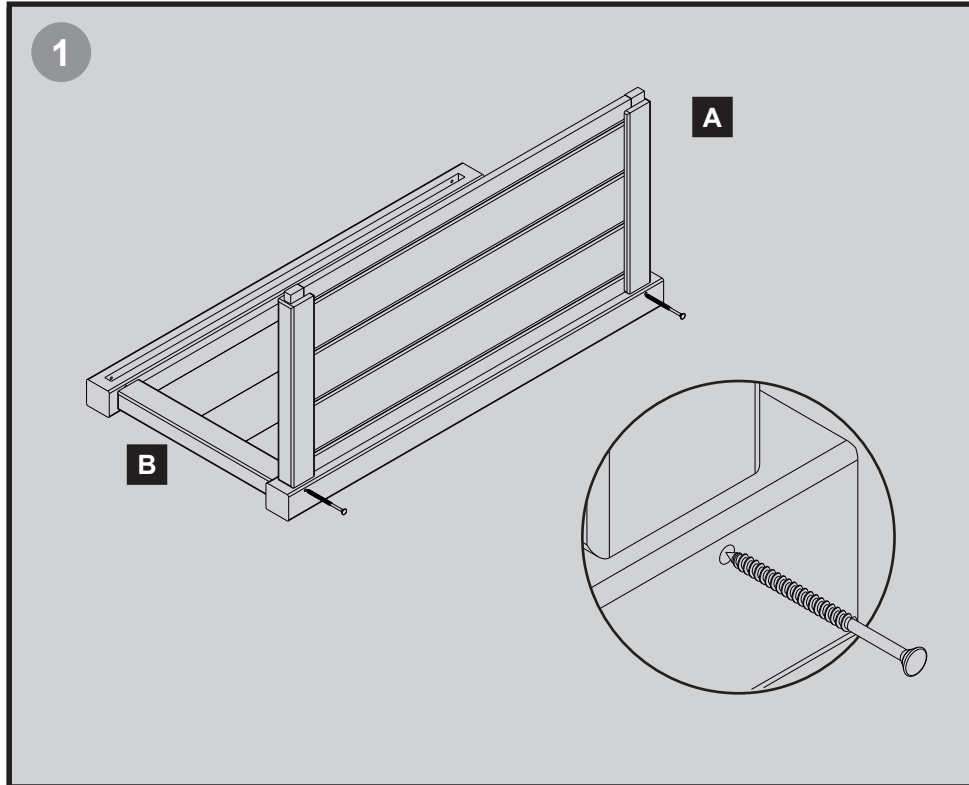
## PARTS:



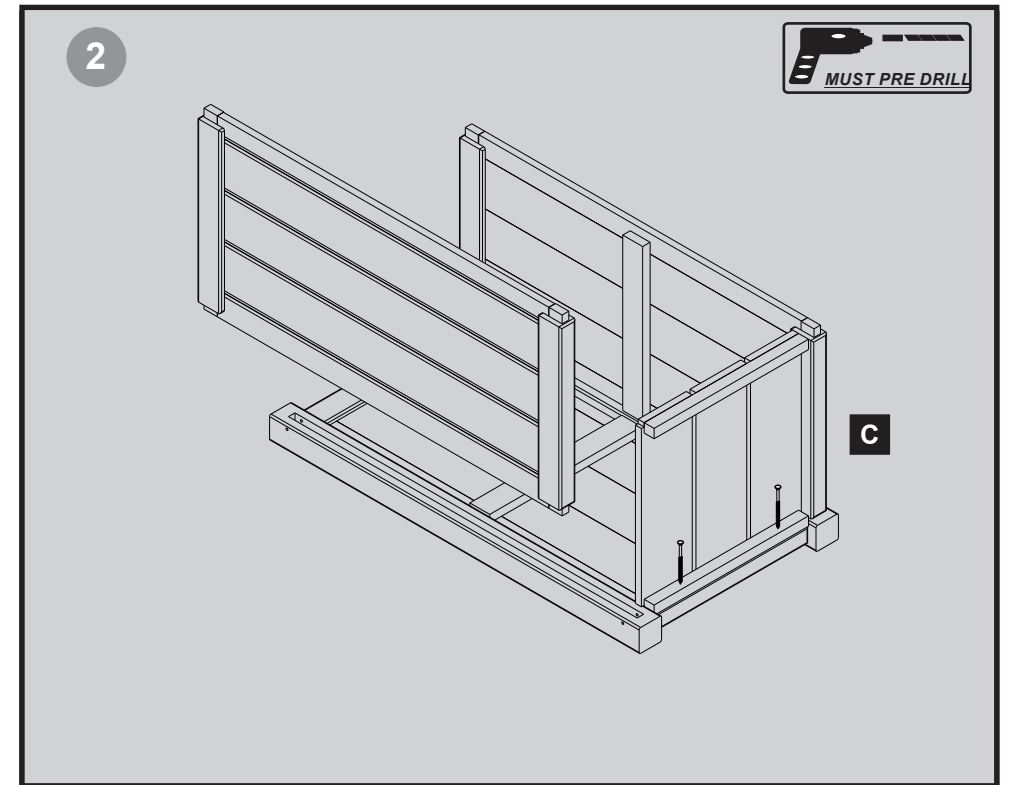
For further information



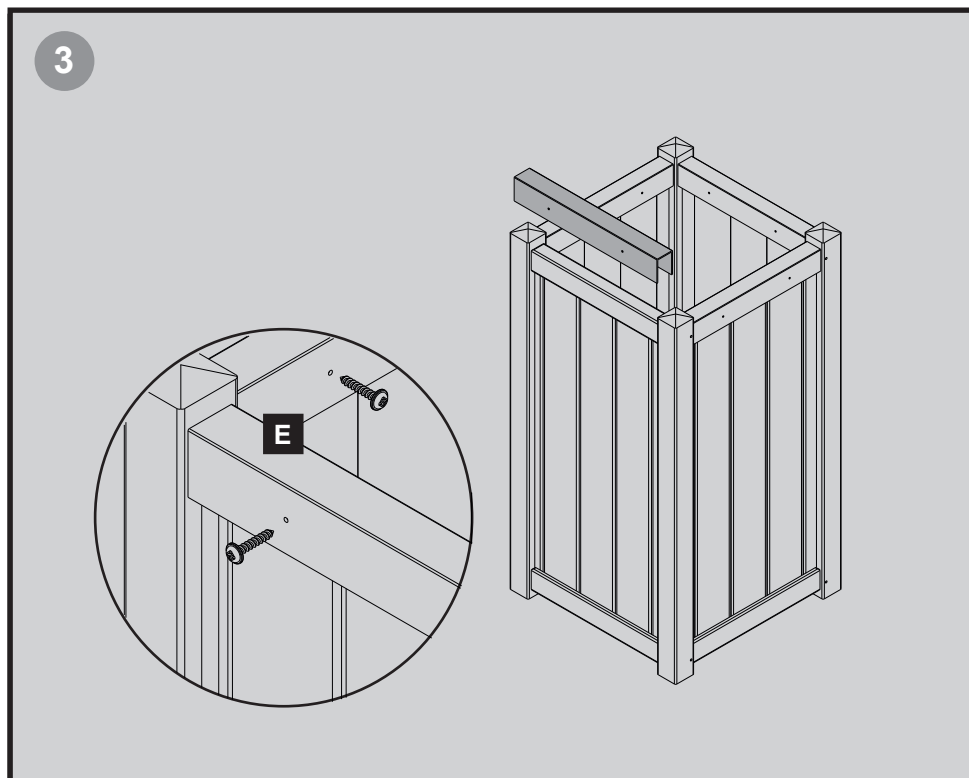
www.forestgarden.co.uk



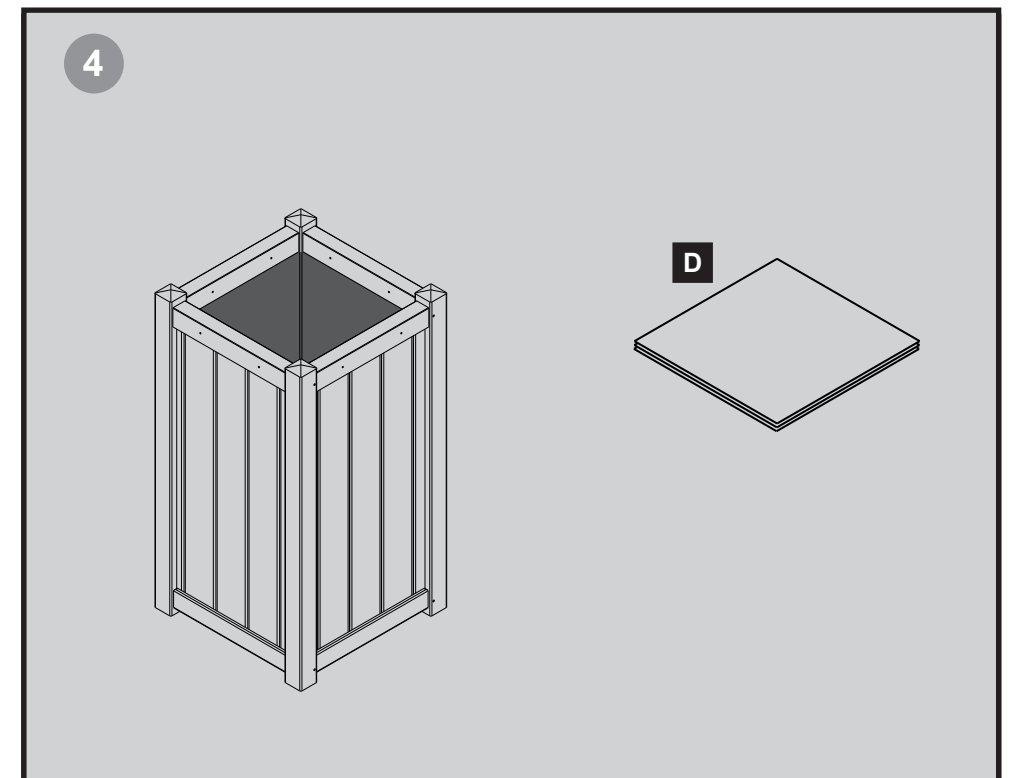
Slot the insert into the side panel and make sure that it is tight and flush before fixing in place using 2 x 40mm screws.



Position the base against the side and insert the side panels as shown. Position the base so that the bearers are against the side insert and that they are flush with the bottom of the framing before fixing with 2 x 40mm screws.  
Repeat steps 1 and 2 to complete the planter assembly.



Slot the metal capping over the top of the framing and secure these in place using 4 x 20mm screws for each.



Tack the fabric liner pieces inside the planter to the panels before filling.