

ROSEDENE TABLE

IMPORTANT, RETAIN FOR FUTURE REFERENCE: READ CAREFULLY.

Check all parts are present prior to assembly.

- Always pre-drill timber to avoid splitting.
- The timber in this product is pressure treated to ensure longevity and protection against rot. This may leave a colour variations, but these will even out as the moisture content stabilises.
- Timber is a natural material and will shrink and swell as a result of varying moisture content.
- Keep all plastic bags and parts away from children.

Technical Help line: 0333 321 3142 8:30am - 5.00pm Monday to Friday

In line with your statutory rights, please check all parts prior to assembly, as assembly of damaged parts may be deemed to be acceptance and this may affect the remedies you are entitled to.

If the product is not constructed in accordance with the instructions, or is altered in any way (e.g. painted), the manufacturer cannot be held liable for any resulting damage.

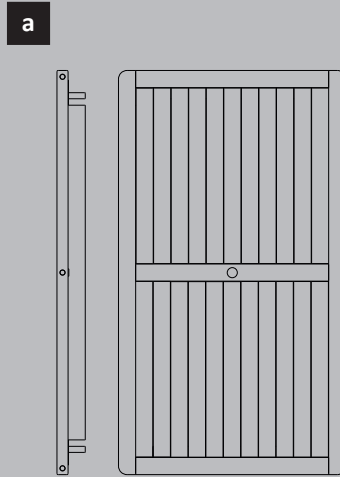
For further information



Important :
Assembly of this table requires a minimum of two adults.

www.forestgarden.co.uk

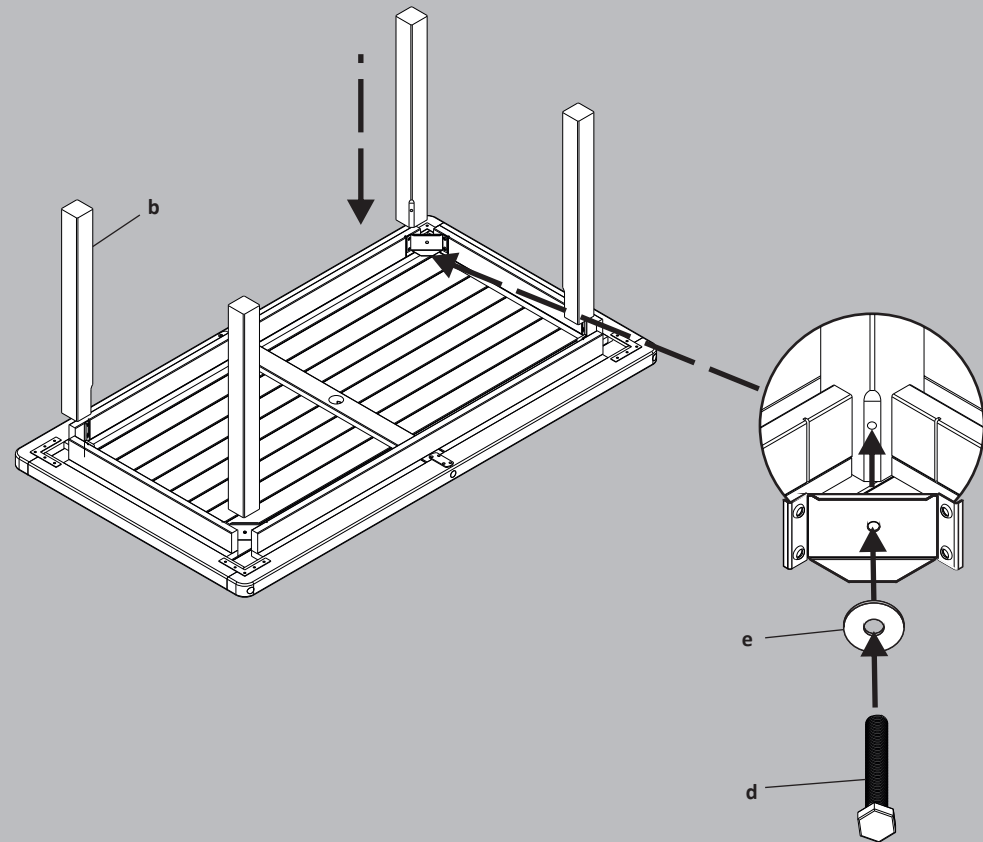
PARTS LIST



ROTATOP



ROTALLEG
Qty 4



Maintenance.

Regularly check that all fixings are secure.

Regularly check for structural parts for damage.

Regularly check benches are free of splinters.

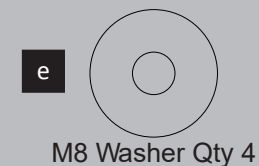
Biocidal Product Regulation (EU 528/2012) Article 58 Information: This article contains biocidal products to give protection against wood destroying insect and wood rotting Fungai.

This article contains timber treated with Tanalith E 3475, incorporating biocidal products to give protection against wood destroying insects & wood rotting fungi.

Contains: Copper carbonate, Tebuconazole and Propiconazole.

Wear gloves when handling freshly treated wood. Avoid breathing dust when cutting treated or untreated wood. Dispose of off-cuts responsibly – do not burn.

NOT TO SCALE



Issue 0122

Forest Garden Ltd, Unit 288 Hartlebury Trading Estate, Hartlebury, Worcestershire, DY10 4JB

ROTAFP
(Fixing pack Contents)