

IMPORTANT, RETAIN FOR FUTURE REFERENCE: READ CAREFULLY.

Check all parts are present prior to assembly.

- Always pre-drill timber to avoid splitting.
- The timber in this product is pressure treated to ensure longevity and protection against rot. This may leave a colour variation which will even out as the moisture content stabilises.
- Timber is a natural material and will shrink and swell as a result of varying moisture content.
- Place on solid level ground.
- Keep all plastic bags and parts away from children.
- We recommend that you perform regular checks on the fixings to make sure that they are tight and secure.

Technical Help line: 0333 7777 089 8:30am - 5.00pm Monday to Friday

In line with your statutory rights, please check all parts prior to assembly, as assembly of damaged parts may be deemed to be acceptance and this may affect the remedies you are entitled to.

If the product is not constructed in accordance with the instructions, or is altered in any way (e.g. painted), the manufacturer cannot be held liable for any resulting damage.

This article contains biocidal products to give protection against wood destroying insects & wood rotting fungi. Contents may vary. May contain : Basic copper carbonate (Copper (II) carbonate – Copper (II) hydroxide (1:1), Cupric oxide, Copper hydroxide carbonate, oxyethyl, ammoniumpropionate, Copper HDO, Propiconazole, Tebuconazole, Boric acid, Benzalkonium chloride. Wear gloves when handling freshly treated wood. Avoid breathing dust when cutting treated or untreated wood. Dispose of off-cuts responsibly – do not burn.

REQUIRED TOOLS: (NOT SUPPLIED)



POZI DRIVE
SCREWDRIVER



DRILL

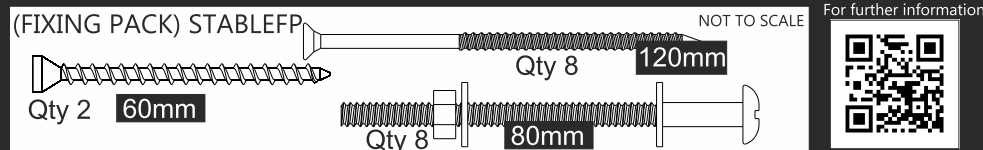
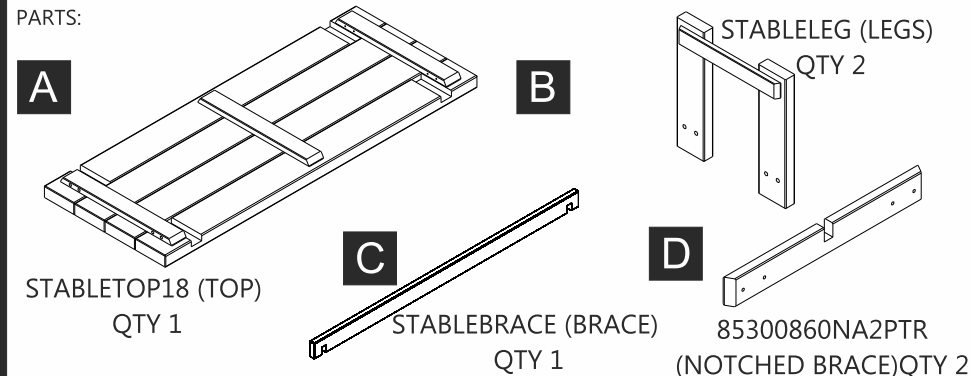


TAPE MEASURE



HAMMER/
RUBBER Mallet

PARTS:



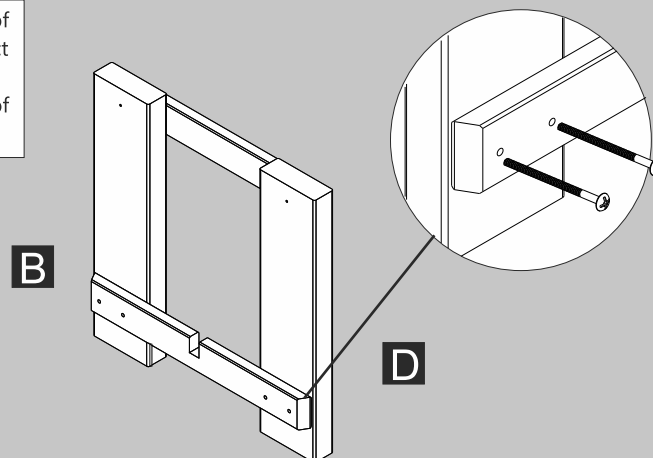
For further information



www.forestgarden.co.uk

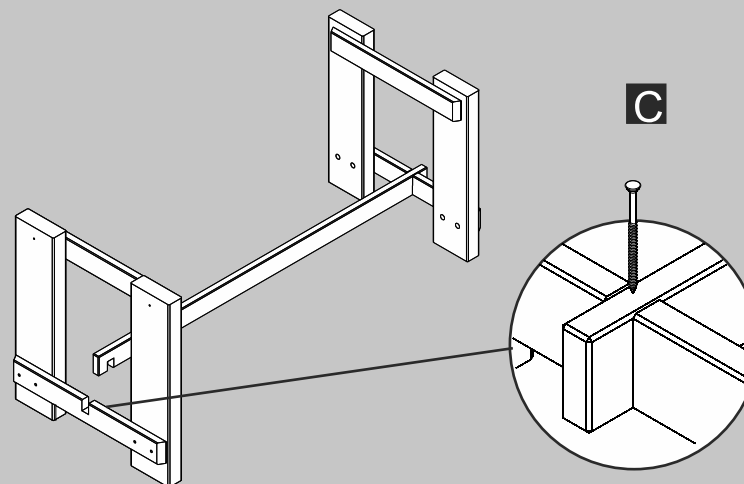
1

Assembly of this product requires a minimum of two adults



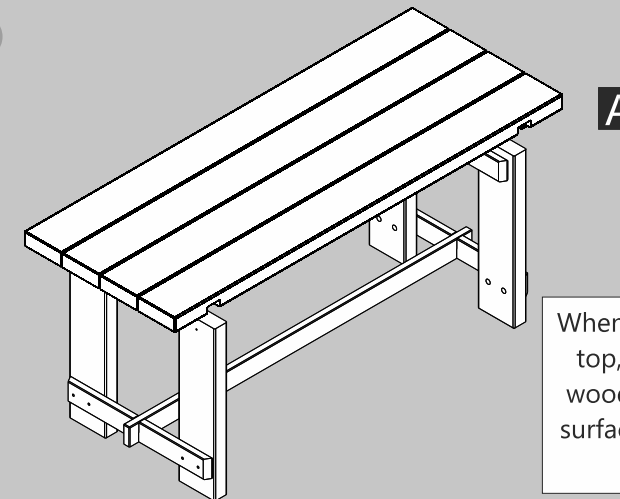
Fix a notched brace to each of the leg assemblies. Make sure that the holes line up and secure the brace in place using the bolts provided. Fix the brace at the top and on the inside, as shown, using a 60mm screw for each end.

2



Connect the two leg assemblies using the brace as shown. Fix this in place using a 60mm screw for each end.

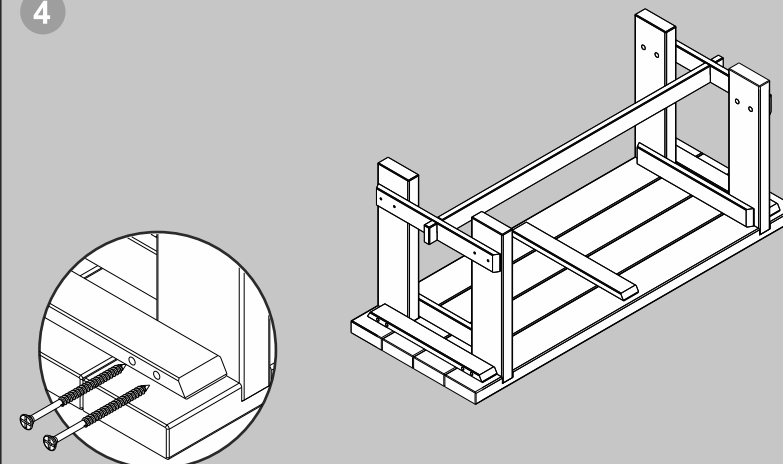
3



When positioning the top, use a piece of wood to protect the surface, and a rubber mallet

Place the table top on to the leg assemblies. Make sure that the table top is tight and flush against the legs.

4



Fix the table top in place screwing through the (pre-drilled) holes on the batten underneath as shown. Use the 8 x 120mm screws provided.

STABLE18