

Rectangular Picnic Table 1.5X1.5m

IMPORTANT, RETAIN FOR FUTURE REFERENCE: READ CAREFULLY.

Check all parts are present prior to assembly.

- Always pre-drill timber to avoid splitting.
- The timber in this product is pressure treated to ensure longevity and protection against rot. This may leave a colour variations, but these will even out as the moisture content stabilises.
- Timber is a natural material and will shrink and swell as a result of varying moisture content.
- Place on solid level ground.
- Keep all plastic bags and parts away from children.

Technical Help line: 0844 248 9853 8:30am - 5.00pm Monday to Friday

In line with your statutory rights, please check all parts prior to assembly, as assembly of damaged parts may be deemed to be acceptance and this may affect the remedies you are entitled to. If the product is not constructed in accordance with the instructions, or is altered in anyway (e.g. painted), the manufacturer cannot be held liable for any resulting damage.

This article contains biocidal products to give protection against wood destroying insects & wood rotting fungi. Contents may vary.

May contain : Basic copper carbonate (Copper (II) carbonate – Copper (II) hydroxide (1:1), Cupric oxide, Copper hydroxide carbonate, oxyethyl, ammoniumpropionate, Copper HDO, Propiconazole, Tebuconazole, Boric acid, Benzalkonium chloride.

Wear gloves when handling freshly treated wood. Avoid breathing dust when cutting treated or untreated wood.

REQUIRED TOOLS: (NOT SUPPLIED)



HAMMER



POZI DRIVE SCREWDRIVER



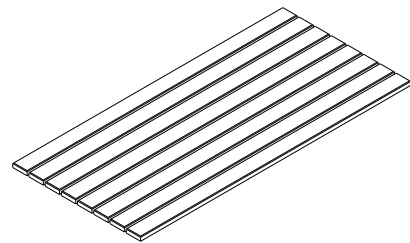
DRILL



TAPE MEASURE

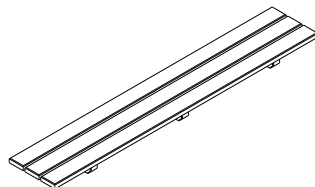
PARTS:

A



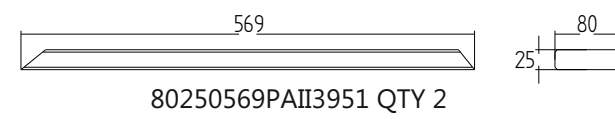
RPT150TOP(TOP) QTY 1

B

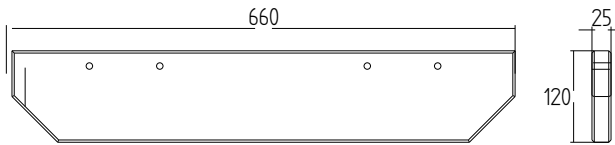


RPT150SEAT (SEAT) QTY 2

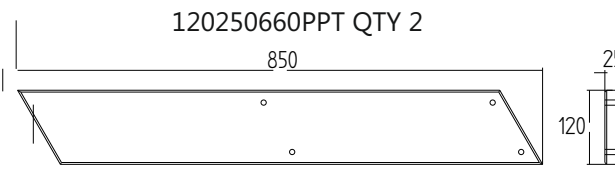
C



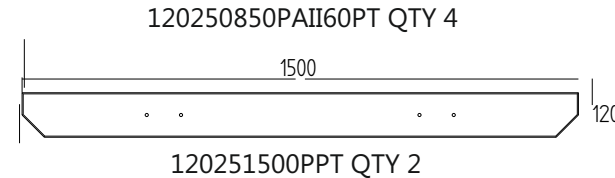
D



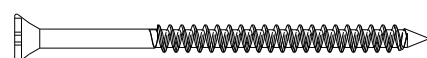
E



F



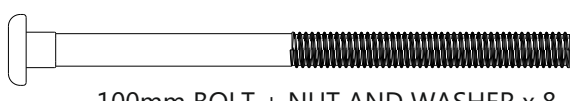
(FIXING PACK) RPT150FP



60mm SCREW QTY 16



60mm BOLT + NUT AND WASHER x 8



100mm BOLT + NUT AND WASHER x 8

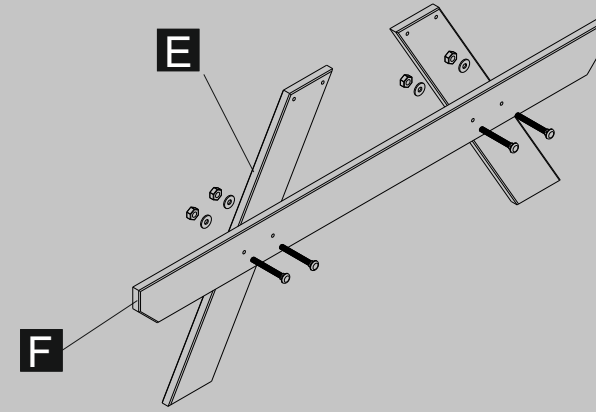
NOT TO SCALE

For further information



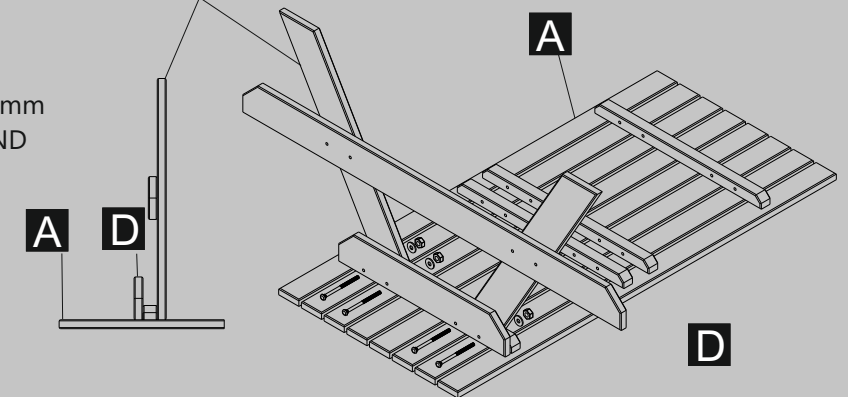
www.forestgarden.co.uk

Assembly of this product requires a minimum of two adults only

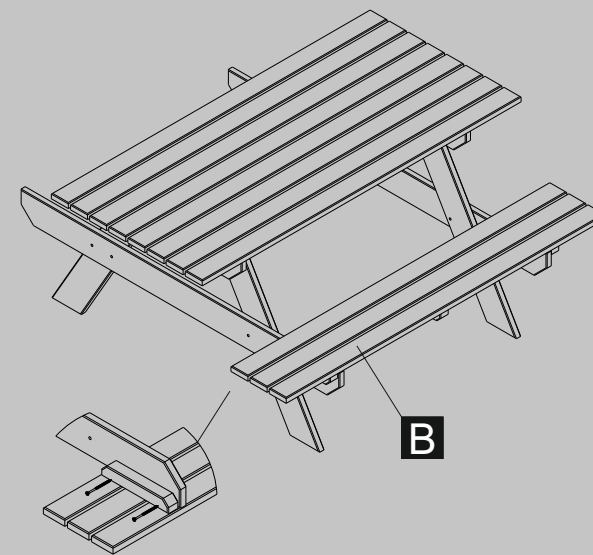


ASSEMBLE 2 x END SECTIONS USING 60mm BOLTS + WASHERS + NUTS

END SECTION

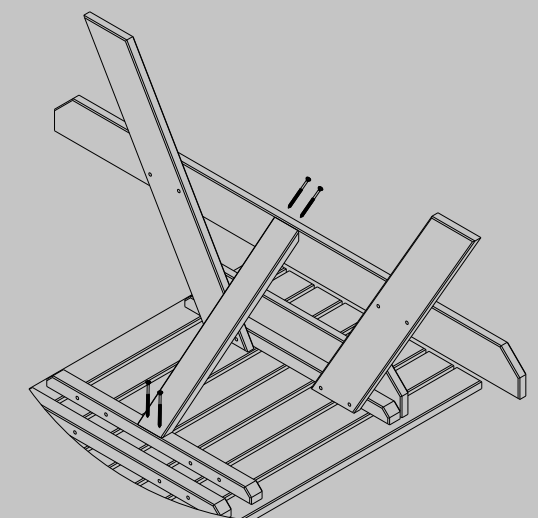


BOLT END SECTION AND PART D TO PART A WITH 100mm BOLTS + WASHERS + NUTS. REPEAT FOR OPPOSITE END



PLACE PART B ONTO END SECTIONS AND SECURE AT EACH END WITH 2 x 60mm SCREWS AS SHOWN. REPEAT FOR OTHER SIDE

ATTACH PART C TO UNDERNEATH TABLE TOP AND END ASSEMBLY WITH 2 x 60mm SCREWS AT EACH END AS SHOWN. REPEAT FOR OTHER END.



IMPORTANT NOTICE : PERIODICALLY CHECK ALL FIXINGS FOR TIGHTNESS!!!